



### FEATURES

- Energy Savings of up to 84%
- Lumen Maintenance over 70% @ 50,000+ Hours
- No UV/IR Radiation, No Toxic Mercury
- Steel Cup in Assorted Finishes
- Die Formed of 22 Gauge Plated Steel
- Replaces 1 x 60W Incandescent

### OPTICS

- Frosted Glass

### APPLICATIONS

- Hallways
- Lobbies
- Corridors

### CERTIFICATIONS

- UL/cUL Listed
- Energy Star
- Lighting Facts

### SPECIFICATIONS

Part Number: **LED6020-AST**

**Limited Manufacturer Warranty:** 3 Years

**Kelvin Temperature (CCT):** 3000K

**Wattage:** 9.3 W

**Lumens:** 1120 lm

**Efficacy:** 120.43 lm/w

**CRI:** 80

**Dimmable:** No

**Input Voltage:** DC 120V

**Certifications:** UL Listed

**DLC Listed:** No

**Average Hour Life:** 50,000 hrs

**Max. Ambient Temperature:** 45°C

**Min. Ambient Temperature:** -20°C

**Power Factor:** >0.9

**THD:** <20%

### TECHNICAL

**Weight:** 1.45 lbs

**Length:** 13.25"

**Product Height:** 6.5"

**Product Width:** 6.5"

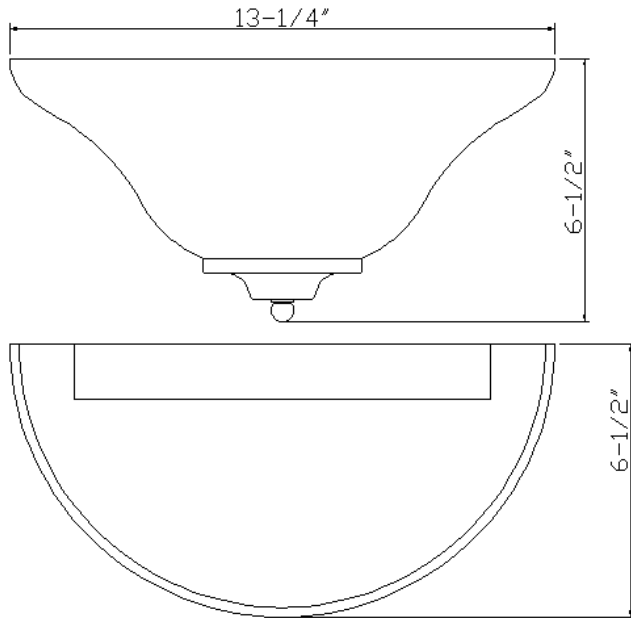
**LED Beam Angel:** 120

**LED Type:** Integrated LED Array





LINE DRAWINGS



LIGHTING FACTS

**LED lighting facts**  
A Program of the U.S. DOE

Cordelia Lighting

Light Output (Lumens)	1120
Watts	9.3
Lumens per Watt (Efficacy)	120.43

Color Accuracy Color Rendering Index (CRI)	84
---	----

**Light Color**  
Correlated Color Temperature (CCT) **3000 (Bright White)**

2700K    3000K    4500K    6500K

Warm White    Bright White    Daylight

All results are according to IESNA LM-79-2008: *Approved Method for the Electrical and Photometric Testing of Solid-State Lighting*. The U.S. Department of Energy (DOE) verifies product test data and results.

Visit [www.lightingfacts.com](http://www.lightingfacts.com) for the *Label Reference Guide*.

Registration Number: ZMBK-NFC8LE (11/30/2015)  
Model Number: LED6020-X  
Type: Luminaire - Decorative