



Mueller Streamline Co. Headquarters

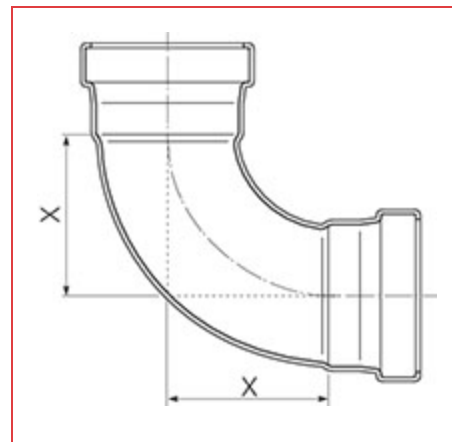
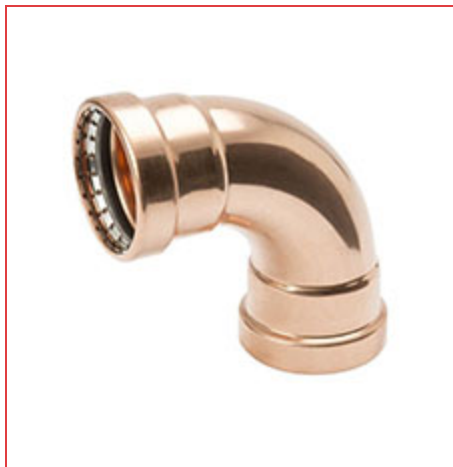
150 Schilling Blvd
Suite 201
Collierville, Tennessee 38017
United States
Phone: 901 753 3200

Mueller Streamline Co. International

525 Okeechobee Blvd
Suite 860
West Palm Beach, FL 33401
United States
Phone: 561 273 8300

ITEM # PF 02092, COPPER ELBOW 90°, P X P, 3" X 3"

90 and 45 Degree Elbow - PxP



[Specifications](#) | [Dimensions](#) | [Details](#)

Specifications

Weight	2.10 lb
Material	COPPER
Operating Temperature [Min]	-20 °F
Operating Temperature [Max]	250 °F
Operating Pressure [Max]	200 psi
End Type	Press
End Size	3 in

Second End Type	Press
------------------------	-------

Second End Size	3 in
------------------------	------

Standards	ASME B16.51 IAPMO PS-117 NSF/ANSI 61 NSF/ANSI 372 CSA TIL-MSE-13
------------------	--

Dimensions

Overall Length	7.28 in
-----------------------	---------

Overall Height	7.31 in
-----------------------	---------

Overall Width	3.69 in
----------------------	---------

X	3.58 in
----------	---------

Details

Qty Pcs / Bag	1
----------------------	---

Master Qty Pcs / Box	9
-----------------------------	---

Mueller Description	3 P X P LT 90 ELL
----------------------------	-------------------