



### Mueller Streamline Co. Headquarters

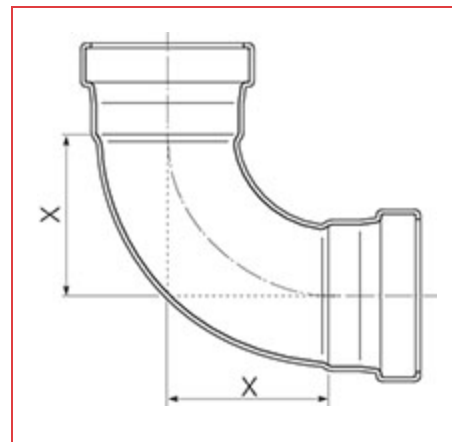
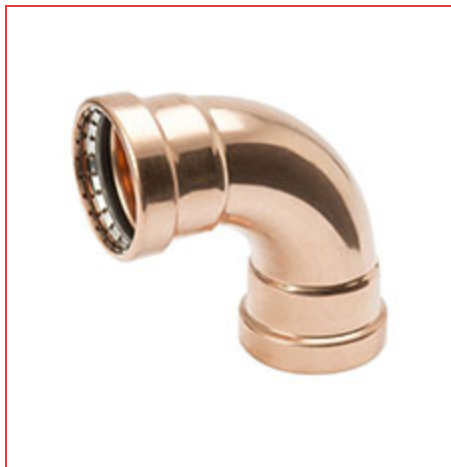
150 Schilling Blvd  
Suite 201  
Collierville, Tennessee 38017  
United States  
Phone: 901 753 3200

### Mueller Streamline Co. International

525 Okeechobee Blvd  
Suite 860  
West Palm Beach, FL 33401  
United States  
Phone: 561 273 8300

## ITEM # PF 02095, COPPER ELBOW 90°, P X P, 4" X 4"

90 and 45 Degree Elbow - PxP



[Specifications](#) | [Dimensions](#) | [Details](#)

### Specifications

<b>Weight</b>	5.61 lb
<b>Material</b>	COPPER
<b>Operating Temperature [Min]</b>	-20 °F
<b>Operating Temperature [Max]</b>	250 °F
<b>Operating Pressure [Max]</b>	200 psi
<b>End Type</b>	Press
<b>End Size</b>	4 in

<b>Second End Type</b>	Press
------------------------	-------

<b>Second End Size</b>	4 in
------------------------	------

<b>Standards</b>	ASME B16.51 IAPMO PS-117 NSF/ANSI 61 NSF/ANSI 372 CSA TIL-MSE-13
------------------	--

## Dimensions

<b>Overall Length</b>	9.25 in
-----------------------	---------

<b>Overall Height</b>	9.25 in
-----------------------	---------

<b>Overall Width</b>	4.68 in
----------------------	---------

<b>X</b>	4.74 in
----------	---------

## Details

<b>Qty Pcs / Bag</b>	1
----------------------	---

<b>Master Qty Pcs / Box</b>	4
-----------------------------	---

<b>Mueller Description</b>	4 P X P LT 90 ELL
----------------------------	-------------------