



### Mueller Streamline Co. Headquarters

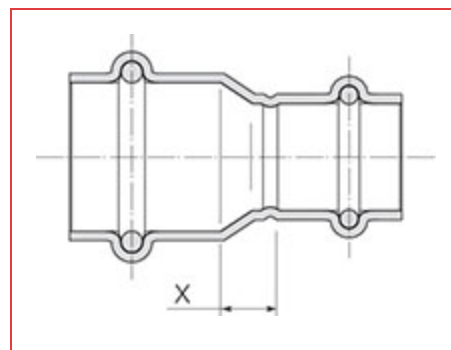
150 Schilling Blvd  
Suite 201  
Collierville, Tennessee 38017  
United States  
Phone: 901 753 3200

### Mueller Streamline Co. International

525 Okeechobee Blvd  
Suite 860  
West Palm Beach, FL 33401  
United States  
Phone: 561 273 8300

## ITEM # PF 01079, COPPER REDUCER, P X P, 2" X 1/2"

Streamline® PRS™ Copper-Press Fittings is a flameless joining alternative for plumbing or mechanical applications. Available sizes ranging from 1/2" to 4" in diameter.



[Specifications](#) | [Dimensions](#) | [Details](#)

### Specifications

<b>Weight</b>	0.55 lb
<b>Material</b>	COPPER
<b>Operating Temperature [Min]</b>	-20 °F
<b>Operating Temperature [Max]</b>	250 °F
<b>Operating Pressure [Max]</b>	200 psi
<b>End Type</b>	Press

<b>End Size</b>	2 in
<b>Second End Type</b>	Press
<b>Second End Size</b>	1/2 in
<b>Standards</b>	ASME B16.51 IAPMO PS-117 NSF/ANSI 61 NSF/ANSI 372 CSA TIL-MSE-13

## Dimensions

<b>Overall Length</b>	3.60 in
<b>Overall Height</b>	2.55 in
<b>Overall Width</b>	2.55 in
<b>X</b>	1.28 in

## Details

<b>Qty Pcs / Bag</b>	1
<b>Master Qty Pcs / Box</b>	50
<b>Mueller Description</b>	2 P X 1/2 P COUPLING