



### Mueller Streamline Co. Headquarters

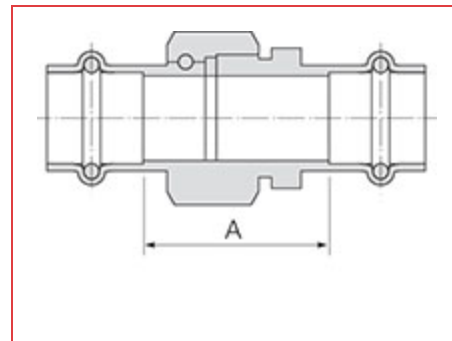
150 Schilling Blvd  
Suite 201  
Collierville, Tennessee 38017  
United States  
Phone: 901 753 3200

### Mueller Streamline Co. International

525 Okeechobee Blvd  
Suite 860  
West Palm Beach, FL 33401  
United States  
Phone: 561 273 8300

## ITEM # PF 11205, LEAD FREE UNION, P X P, 1-1/4" X 1-1/4"

Streamline® PRS™ Copper-Press Fittings is a flameless joining alternative for plumbing or mechanical applications. Available sizes ranging from 1/2" to 4" in diameter.



[Specifications](#) | [Dimensions](#) | [Details](#)

### Specifications

**Weight** 1.19 lb

**Material** LEAD FREE

**Operating Temperature [Min]** -20 °F

**Operating Temperature [Max]** 250 °F

**Operating Pressure [Max]** 200 psi

**End Type** Press

<b>End Size</b>	1 1/4 in
-----------------	----------

<b>Second End Type</b>	Press
------------------------	-------

<b>Second End Size</b>	1 1/4 in
------------------------	----------

<b>Standards</b>	ASME B16.51 IAPMO PS-117 NSF/ANSI 61 NSF/ANSI 372 CSA TIL-MSE-13
------------------	--

## Dimensions

<b>Overall Length</b>	3.27 in
-----------------------	---------

<b>Overall Height</b>	2.35 in
-----------------------	---------

<b>Overall Width</b>	2.04 in
----------------------	---------

<b>A</b>	1.92 in
----------	---------

## Details

<b>Qty Pcs / Bag</b>	1
----------------------	---

<b>Master Qty Pcs / Box</b>	20
-----------------------------	----

<b>Mueller Description</b>	1-1/4 P X P UNION
----------------------------	-------------------