



Mueller Streamline Co. Headquarters

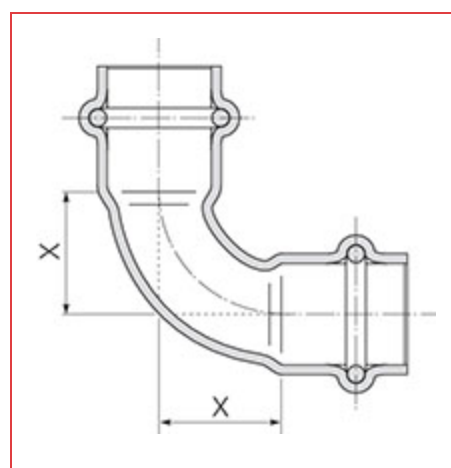
150 Schilling Blvd
Suite 201
Collierville, Tennessee 38017
United States
Phone: 901 753 3200

Mueller Streamline Co. International

525 Okeechobee Blvd
Suite 860
West Palm Beach, FL 33401
United States
Phone: 561 273 8300

ITEM # PF 02734, COPPER ELBOW 90°, P X P, 3/4" X 3/4"

Streamline® PRS™ Copper-Press Fittings is a flameless joining alternative for plumbing or mechanical applications. Available sizes ranging from 1/2" to 4" in diameter.



[Specifications](#) | [Dimensions](#) | [Details](#)

Specifications

Weight	0.21 lb
Material	COPPER
Operating Temperature [Min]	-20 °F
Operating Temperature [Max]	250 °F
Operating Pressure [Max]	200 psi
End Type	Press

End Size	3/4 in
Second End Type	Press
Second End Size	3/4 in
Standards	ASME B16.51 IAPMO PS-117 NSF/ANSI 61 NSF/ANSI 372 CSA TIL-MSE-13

Dimensions

Overall Length	2.82 in
Overall Height	2.82 in
Overall Width	1.22 in
X	1.30 in
X1	1.30 in

Details

Qty Pcs / Bag	10
Master Qty Pcs / Box	150
Mueller Description	3/4 P X P LT 90 ELL