



Mueller Streamline Co. Headquarters

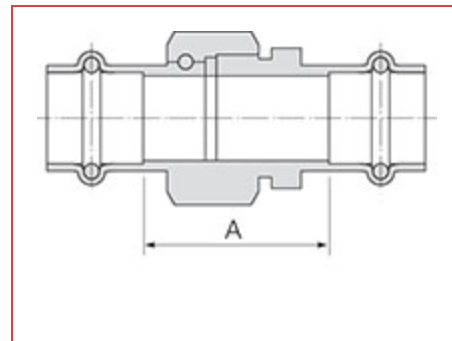
150 Schilling Blvd
Suite 201
Collierville, Tennessee 38017
United States
Phone: 901 753 3200

Mueller Streamline Co. International

525 Okeechobee Blvd
Suite 860
West Palm Beach, FL 33401
United States
Phone: 561 273 8300

ITEM # PF 08005, LEAD FREE UNION, P X P, 1" X 1"

Streamline® PRS™ Copper-Press Fittings is a flameless joining alternative for plumbing or mechanical applications. Available sizes ranging from 1/2" to 4" in diameter.



[Specifications](#) | [Dimensions](#) | [Details](#)

Specifications

Weight	0.95 lb
Material	LEAD FREE
Operating Temperature [Min]	-20 °F
Operating Temperature [Max]	250 °F
Operating Pressure [Max]	200 psi
End Type	Press

End Size	1 in
Second End Type	Press
Second End Size	1 in
Standards	ASME B16.51 IAPMO PS-117 NSF/ANSI 61 NSF/ANSI 372 CSA TIL-MSE-13

Dimensions

Overall Length	3.27 in
Overall Height	1.81 in
Overall Width	1.57 in
A	1.91 in

Details

Qty Pcs / Bag	5
Master Qty Pcs / Box	30
Mueller Description	1 P X P UNION