



### Mueller Streamline Co. Headquarters

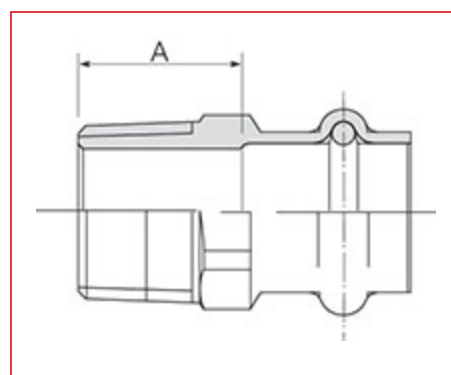
150 Schilling Blvd  
Suite 201  
Collierville, Tennessee 38017  
United States  
Phone: 901 753 3200

### Mueller Streamline Co. International

525 Okeechobee Blvd  
Suite 860  
West Palm Beach, FL 33401  
United States  
Phone: 561 273 8300

## ITEM # PF 01178, COPPER MALE ADAPTER, P X MPT, 1-1/2" X 2"

Streamline® PRS™ Copper-Press Fittings is a flameless joining alternative for plumbing or mechanical applications. Available sizes ranging from 1/2" to 4" in diameter.



[Specifications](#) | [Dimensions](#) | [Details](#)

### Specifications

<b>Weight</b>	1.00 lb
<b>Material</b>	LEAD FREE
<b>Operating Temperature [Min]</b>	-20 °F
<b>Operating Temperature [Max]</b>	250 °F
<b>Operating Pressure [Max]</b>	200 psi
<b>End Type</b>	Press

<b>End Size</b>	1 1/2 in
-----------------	----------

<b>Second End Type</b>	MNPT
------------------------	------

<b>Second End Size</b>	2 in
------------------------	------

<b>Standards</b>	ASME B16.51 IAPMO PS-117 NSF/ANSI 61 NSF/ANSI 372 CSA TIL-MSE-13
------------------	--

## Dimensions

<b>Overall Length</b>	3.36 in
-----------------------	---------

<b>Overall Height</b>	2.38 in
-----------------------	---------

<b>Overall Width</b>	2.38 in
----------------------	---------

<b>A</b>	1.75 in
----------	---------

## Details

<b>Qty Pcs / Bag</b>	1
----------------------	---

<b>Master Qty Pcs / Box</b>	40
-----------------------------	----

<b>Mueller Description</b>	1-1/2 P X 2 M ADAPT
----------------------------	---------------------