



Mueller Streamline Co. Headquarters

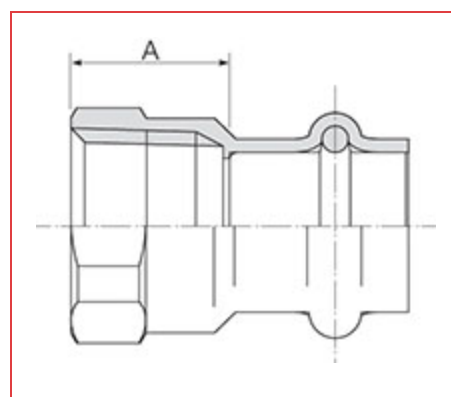
150 Schilling Blvd
Suite 201
Collierville, Tennessee 38017
United States
Phone: 901 753 3200

Mueller Streamline Co. International

525 Okeechobee Blvd
Suite 860
West Palm Beach, FL 33401
United States
Phone: 561 273 8300

ITEM # PF 01280, COPPER FEMALE ADAPTER, P X FPT, 1-1/2" X 1-1/4"

Streamline® PRS™ Copper-Press Fittings is a flameless joining alternative for plumbing or mechanical applications. Available sizes ranging from 1/2" to 4" in diameter.



[Specifications](#) | [Dimensions](#) | [Details](#)

Specifications

Weight 0.38 lb

Material LEAD FREE

Operating Temperature [Min] -20 °F

Operating Temperature [Max] 250 °F

Operating Pressure [Max] 200 psi

End Type Press

End Size	1 1/4 in
-----------------	----------

Second End Type	FNPT
------------------------	------

Second End Size	1 1/2 in
------------------------	----------

Standards	ASME B16.51 IAPMO PS-117 NSF/ANSI 61 NSF/ANSI 372 CSA TIL-MSE-13
------------------	------------------------------------------------------------------------------

Dimensions

Overall Length	2.36 in
-----------------------	---------

Overall Height	1.73 in
-----------------------	---------

Overall Width	1.73 in
----------------------	---------

A	0.94 in
----------	---------

Details

Qty Pcs / Bag	1
----------------------	---

Master Qty Pcs / Box	15
-----------------------------	----

Mueller Description	1-1/2 P X 1-1/4 F ADAPT
----------------------------	-------------------------