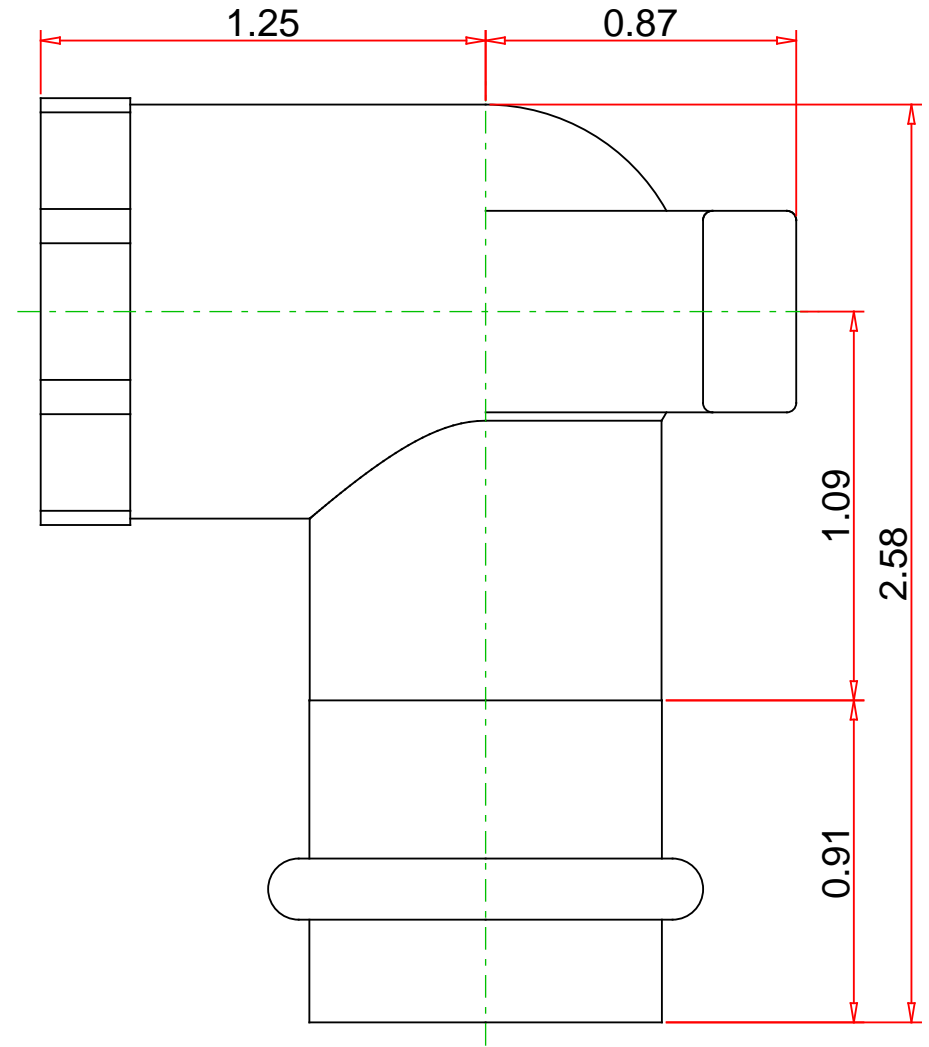
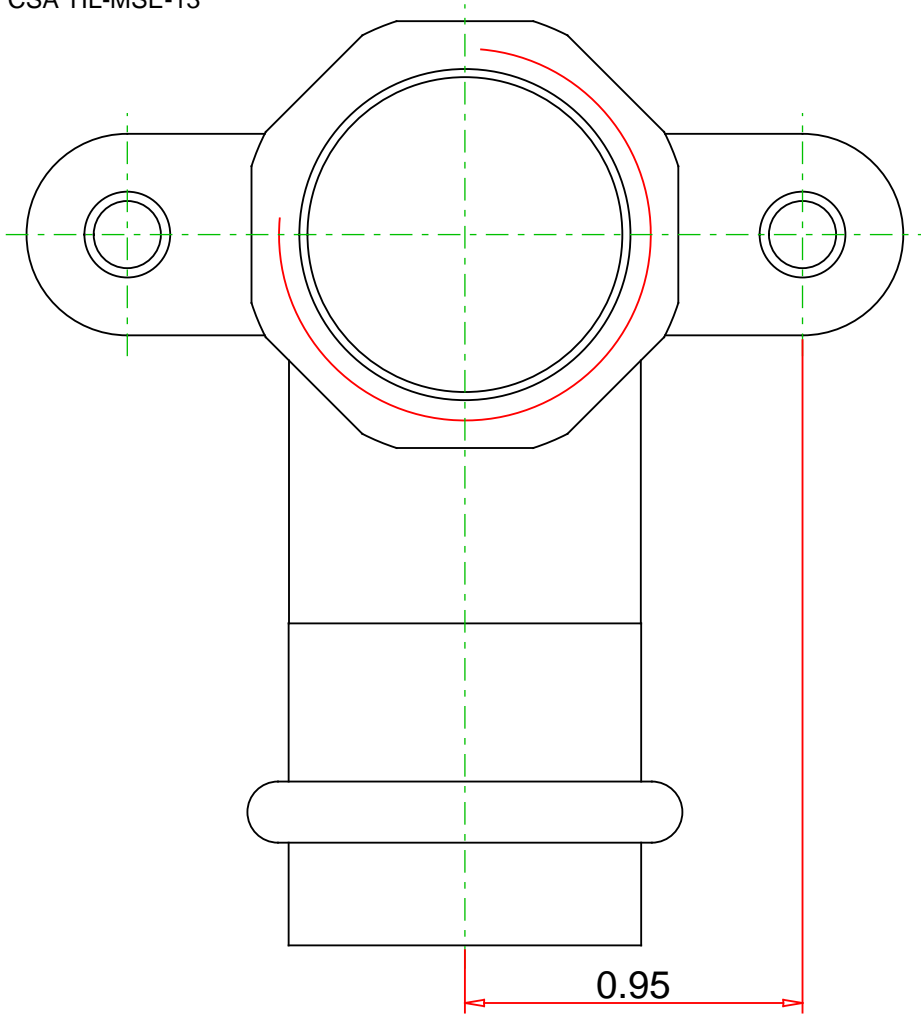


Approvals & Certifications

- ASME B16.51
- IAPMO PS-117
- NSF/ANSI 61
- NSF/ANSI 372
- CSA TIL-MSE-13



Note : - Drawing not to Scale

Part No. :

PF 02581

Description :

Lead Free Elbow Drop 90° w/Wall Plate, P x FPT, 3/4" x 3/4"



**Mueller Streamline Co.**

Address : 8285 Tournament Dr., Suite 150  
Memphis, TN 38125

Ph : 901-753-3200

Email : [contact@muellerindustries.com](mailto:contact@muellerindustries.com)

Web : <http://www.muellerindustries.com/>