



Mueller Streamline Co. Headquarters

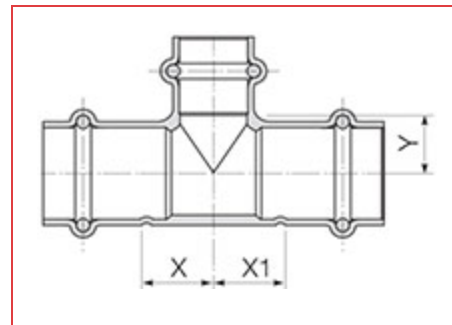
150 Schilling Blvd
Suite 201
Collierville, Tennessee 38017
United States
Phone: 901 753 3200

Mueller Streamline Co. International

525 Okeechobee Blvd
Suite 860
West Palm Beach, FL 33401
United States
Phone: 561 273 8300

ITEM # PF 04084, COPPER TEE, P X P X P, 1-1/2" X 1-1/2" X 1-1/2"

Tee Small



[Specifications](#) | [Dimensions](#) | [Details](#)

Specifications

Weight	0.99 lb
Material	COPPER
Operating Temperature [Min]	-20 °F
Operating Temperature [Max]	250 °F
Operating Pressure [Max]	200 psi
End Type	Press
End Size	1 1/2 in

Second End Type	Press
Second End Size	1 1/2 in
Third End Type	Press
Third End Size	1 1/2 in
Standards	ASME B16.51 IAPMO PS-117 NSF/ANSI 61 NSF/ANSI 372 CSA TIL-MSE-13

Dimensions

Overall Length	5.04 in
Overall Height	3.56 in
Overall Width	2.09 in
X	1.10 in
X1	1.10 in
Y	1.10 in

Details

Qty Pcs / Bag	1
Master Qty Pcs / Box	20
Mueller Description	1-1/2 P X P X P TEE