



Mueller Streamline Co. Headquarters

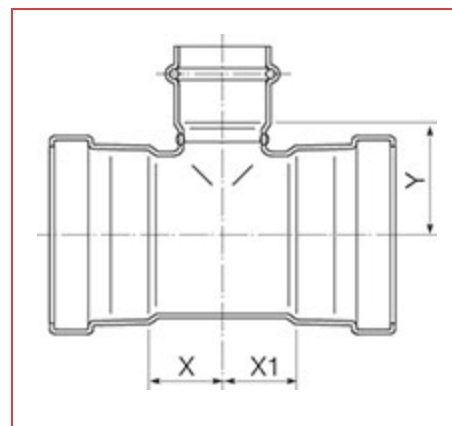
150 Schilling Blvd
Suite 201
Collierville, Tennessee 38017
United States
Phone: 901 753 3200

Mueller Streamline Co. International

525 Okeechobee Blvd
Suite 860
West Palm Beach, FL 33401
United States
Phone: 561 273 8300

ITEM # PF 40222, COPPER TEE, P X P X P, 2-1/2" X 3/4" X 2-1/2"

Streamline® PRS™ Copper-Press Fittings is a flameless joining alternative for plumbing or mechanical applications. Available sizes ranging from 1/2" to 4" in diameter.



[Specifications](#) | [Dimensions](#) | [Details](#)

Specifications

Weight	3.33 lb
Material	COPPER
Operating Temperature [Min]	-20 °F
Operating Temperature [Max]	250 °F
Operating Pressure [Max]	300 psi
End Type	Press

End Size	2 1/2 in
-----------------	----------

Second End Type	Press
------------------------	-------

Second End Size	3/4 in
------------------------	--------

Third End Type	Press
-----------------------	-------

Third End Size	2 1/2 in
-----------------------	----------

Standards	ASME B16.51 IAPMO PS-117 NSF/ANSI 61 NSF/ANSI 372 CSA TIL-MSE-13
------------------	--

Dimensions

Overall Length	9.53 in
-----------------------	---------

Overall Height	5.09 in
-----------------------	---------

Overall Width	3.18 in
----------------------	---------

X	1.73 in
----------	---------

X1	5.20 in
-----------	---------

Y	1.81 in
----------	---------

Details

Qty Pcs / Bag	1
----------------------	---

Master Qty Pcs / Box	10
-----------------------------	----

Mueller Description	2-1/2 X 3/4 X 2-1/2 P TEE
----------------------------	---------------------------