



Mueller Streamline Co. Headquarters

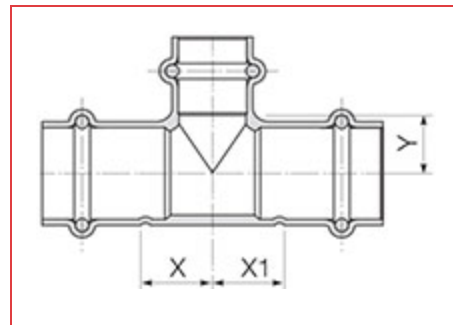
150 Schilling Blvd
Suite 201
Collierville, Tennessee 38017
United States
Phone: 901 753 3200

Mueller Streamline Co. International

525 Okeechobee Blvd
Suite 860
West Palm Beach, FL 33401
United States
Phone: 561 273 8300

ITEM # PF 04049, COPPER TEE, P X P X P, 1" X 1" X 3/4"

Tee Reducing Small



[Specifications](#) | [Dimensions](#) | [Details](#)

Specifications

Weight	0.47 lb
Material	COPPER
Operating Temperature [Min]	-20 °F
Operating Temperature [Max]	250 °F
Operating Pressure [Max]	200 psi
End Type	Press
End Size	1 in

Second End Type	Press
------------------------	-------

Second End Size	1 in
------------------------	------

Third End Type	Press
-----------------------	-------

Third End Size	3/4 in
-----------------------	--------

Standards	ASME B16.51 IAPMO PS-117 NSF/ANSI 61 NSF/ANSI 372 CSA TIL-MSE-13
------------------	--

Dimensions

Overall Length	3.43 in
-----------------------	---------

Overall Height	2.35 in
-----------------------	---------

Overall Width	1.47 in
----------------------	---------

X	0.81 in
----------	---------

X1	0.81 in
-----------	---------

Y	0.71 in
----------	---------

Details

Qty Pcs / Bag	5
----------------------	---

Master Qty Pcs / Box	50
-----------------------------	----

Mueller Description	1 P X 1 P X 3/4 P TEE
----------------------------	-----------------------