

ID Infinity Drain



QD 4-2 Center Drain Series

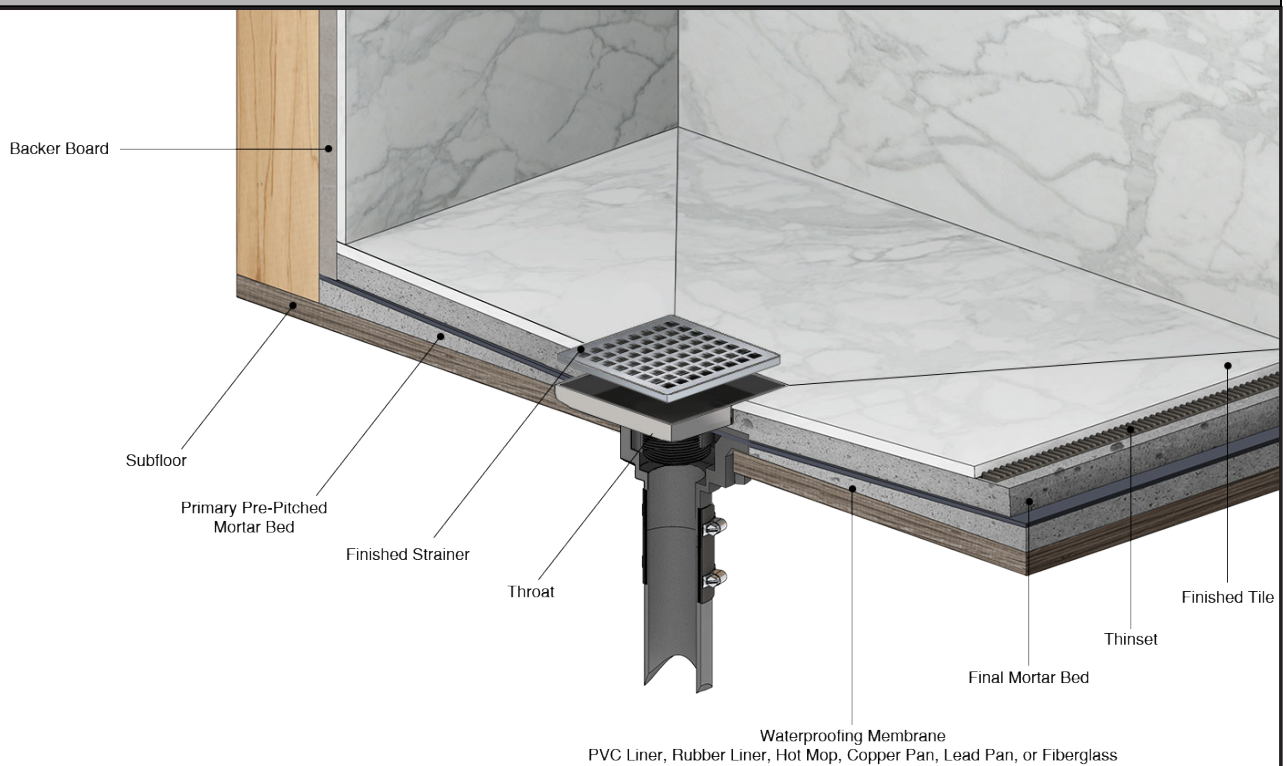
Complete Kits:

- QD 4-2I
- QD 4-2P
- QD 4-2A

Features

- 3/16" thick decorative plate
- 3/8" depth throat
- 304L Stainless Steel Throat and Decorative Plate
- Indoor outdoor use
- Grate can be removed completely for cleaning
- Requires traditional 4-way floor pitch
- Flow rate 8 GPM with 2" outlet

Installation



Care & Maintenance

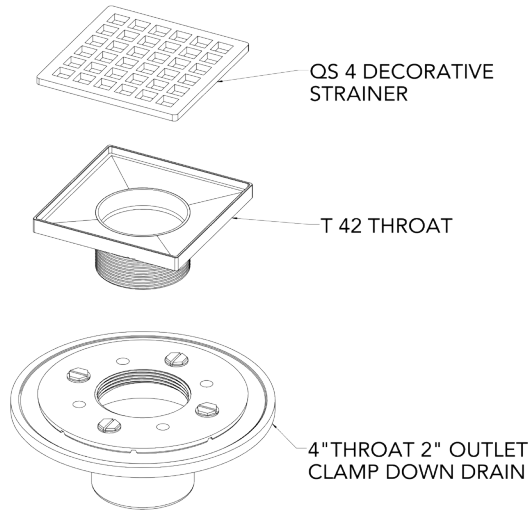
QD 4-2 stainless steel throat and decorative plate are made of 304L stainless steel. This material is non-porous, hygienic, rust-free and extremely durable. Bar Keepers Friend® and Soft Scrub® are commonly available products that can be used to protect and clean your Satin Stainless drain cover. For stains that have been left for an excessive amount of time, stronger cleaning agents such as Steel Brite® may be needed. For Polished Stainless and other finishes we recommend a mild soap and a soft cloth for cleaning. DO NOT use any abrasive cleaners, scrub pads or all household cleaning agents, such as bleach, to sit on the drain cover for a long period of time. Stainless steel does not rust. External factors, such as contamination from other highly ferrous metals, built up road salt, sea salt, or chlorine may have caused "surface" rust which can be removed using Barkeepers Friend®, Soft Scrub® with Bleach, or Steel Brite®. Always follow the directions on the bottle. Follow proper maintenance procedures to prevent excessive surface rust. In areas of frequent exposure to salt, chlorine, and other chemical compounds, maintenance of the stainless grates should be performed at least 2-3 times per year.

Infinity Drain
145 Dixon Avenue
Amityville, NY 11701
Phone: 516.767.6786
Fax: 516.740.3066
www.Infinity Drain.com



NOTE: Installer must verify all rough-in dimensions prior to installation and consult local and national codes. Conformity and compliance to local and national codes are the responsibility of the installer.

QD 4-2 Specifications



Components:

QD 4-2I

4" x 4" Kit with Cast Iron Drain Body - No Hub Outlet

(4" L x 4" W x 3/8" H)- Strainer

1 - QS 4 Squares Decorative Plate

1 - T 42 Throat

1 - CDI 22 Clamp Down Drain Cast Iron

1 - HS 2 Hair Strainer

1 - DKEY Lift Out Key

QD 4-2A

4" x 4" Kit with ABS Drain Body

(4" L x 4" W x 3/8" H)- Strainer

1 - QS 4 Squares Decorative Plate

1 - T 42 Throat

1 - CDA 22 Clamp Down Drain ABS

1 - HS 2 Hair Strainer

1 - DKEY Lift Out Key

QD 4-2P

4" x 4" Kit with PVC Drain Body

(4" L x 4" W x 3/8" H)- Strainer

1 - QS 4 Squares Decorative Plate

1 - T 42 Throat

1 - CDP 22 Clamp Down Drain PVC

1 - HS 2 Hair Strainer

1 - DKEY Lift Out Key

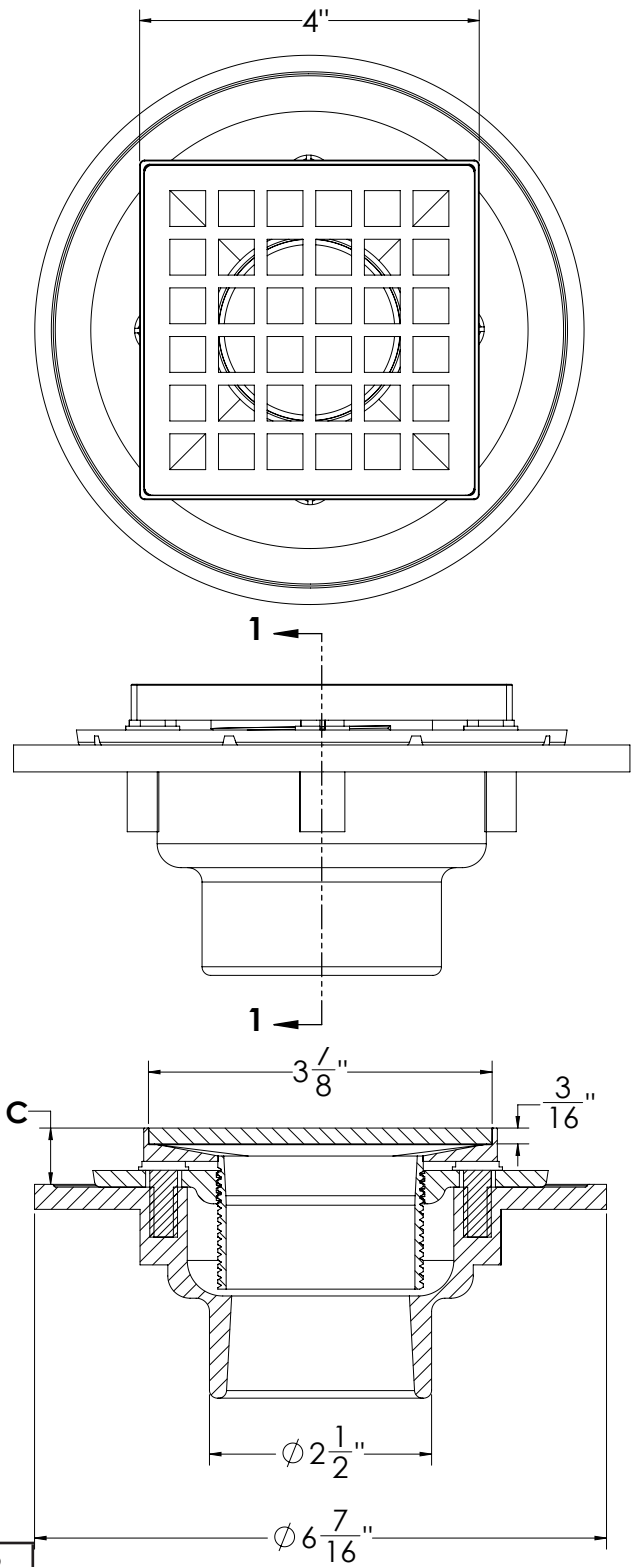
Finishes:

—Satin Stainless (SS)

—Polished Stainless (PS)

—Oil Rubbed Bronze (ORB)

—Satin Bronze (SB)



SECTION 1-1

| C Dimension | Drain Body: | CDI 22 | CDP 22 | CDA 22 |
|-------------|-------------|--------|--------|--------|
| | Height: | 13/16" | 1/2" | 1/2" |

Infinity Drain
145 Dixon Avenue
Amityville, NY 11701
Phone: 516.767.6786
Fax: 516.740.3066
www.InfinityDrain.com



NOTE: Installer must verify all rough-in dimensions prior to installation and consult local and national codes. Conformity and compliance to local and national codes are the responsibility of the installer.