

## EZ Soffit Vent Versatile Soffit Termination System

### EZSoffitVent™

EZSV14



Unique design helps fan overcome **0.375"** static pressure to effectively remove moist, polluted air\*

[See PQ Curve]

- Patented soffit termination system ideal for new residential construction
- First-to-market, HVI-Certified soffit vent helps optimize airflow by letting you complete all ducting before soffit panel install
- High performance soffit vent improves overall fan performance and reduces call backs due to poor airflow
- Simple, one-stop installation helps reduce total installed costs (callbacks, labor and parts)
- Unique design eliminates water intrusion costs associated with roof and/or wall terminations
- EZ Soffit Vent body snap-fits easily into mounting bracket and can be rotated 180 degrees to align with ducting
- Low resistance backdraft damper eliminates cold drafts and improves blower door test results
- The versatile product design allows to be used with other applications: Clothes dryer exhaust (as-shipped), fireplace combustion air intake<sup>1</sup>, supply only ventilation system intake<sup>1</sup> up to 120 cfm and balanced Ventilation systems (HRV/ERV), exhaust & intake<sup>1</sup> up to 120 CFM. Uniquely designed to be use with versatile applications such as: Clothes dryer exhaust (as-shipped), fireplace combustion air intake<sup>1</sup>, supply only ventilation system intake<sup>1</sup> up to 120 cfm and balanced Ventilation systems (HRV/ERV), exhaust & intake<sup>1</sup> up to 120 CFM.

#### ADDITIONAL BENEFITS

- Designed for ventilation fans up to 110 CFM, using 4" ductwork
- Mounting bracket can be located anywhere there's a vertical surface within the overhang
- Overall height is less than 6" and fits in a 4/12 pitch roof overhang (with 2x6 fascia board)
- Compact design fits in a narrow 12" soffit (10.5" fascia to building)
- Duct connection stub is 2.25" in length, allowing plenty of surface area for connection and sealing
- Flush mounted termination grille mounts with a single fastener (included)

\* Industry research indicates static pressure in typical installations ranges from 0.20" to 0.375".

<sup>1</sup>With any use for intake air, you must remove the damper. It's also recommended you add an insect screen (not included).

# Save Time and Money with Pre-Soffit Installation

Bathroom ventilation fans should deliver optimum air flow and meet customer expectations. EZ Soffit Vent™ is a versatile soffit termination system that enables you to overcome customer satisfaction call backs due to poor airflow and back drafting. A unique set of features lower total installed cost, while providing high performance results.

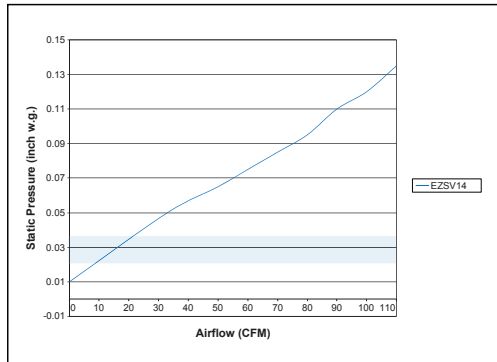
## Current Problem:



## EZ Solution:



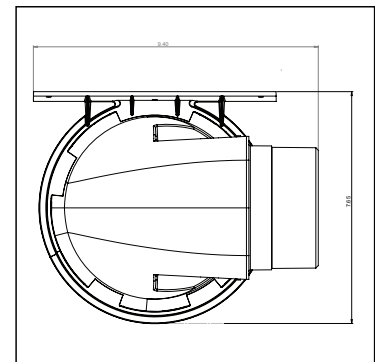
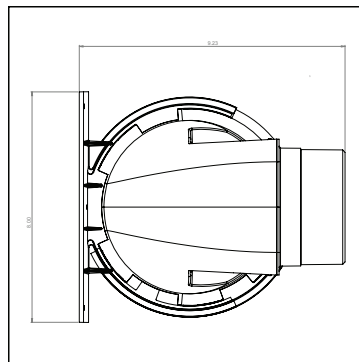
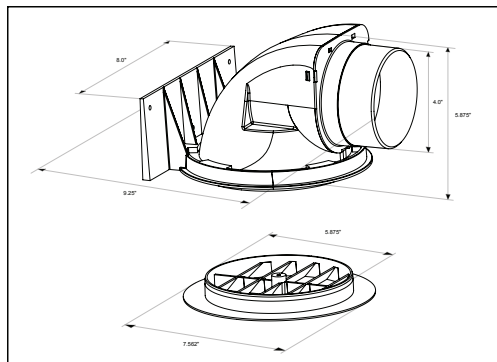
### EZSV14



\*Industry research indicates static pressure in typical installations ranges from 0.20" to 0.375".

Specifications		EZ Soffit Vent
		EZSV14
Specifications	Duct Diameter	4"
	HVI Certified	Yes
	Mfg in ISO 9001 Certified Facility	Yes
	Internal Backdrap Damper	Yes
Installation	MFG in USA	Yes
	Grille Size	7.56
	Product Length	9.38
	Product Height	6.00
	Product Width	8.00
	Grille Rotation	360°
	Pre-soffit Install	Yes
	Duct Adapter Mount Area	Side
Duct Adapter Rotation	180°	
Shipping	Gross Weight (lbs)	1.3

### EZSV14



**Panasonic Eco Solutions of North America**  
**Eco Products Division**  
 Two Riverfront Plaza  
 Newark, NJ 07102  
[us.panasonic.com/ventfans](http://us.panasonic.com/ventfans)

**For Order Information**  
 PHONE: 866-292-7299  
 FAX: 888-553-0723  
[ventfans@us.panasonic.com](mailto:ventfans@us.panasonic.com)