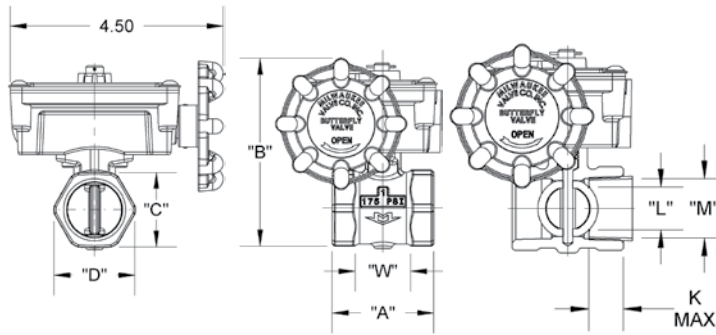
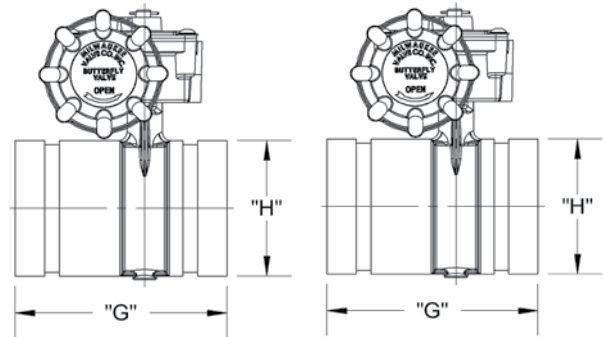


Butterball® BUTTERFLY VALVES

VALVE ASSEMBLY 350 PSI

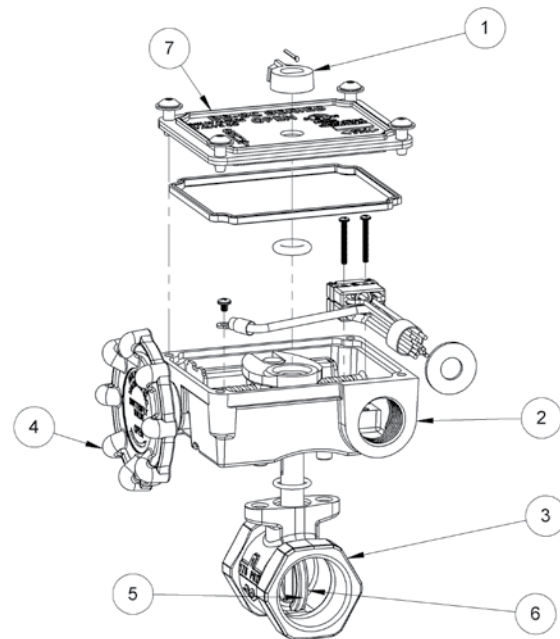
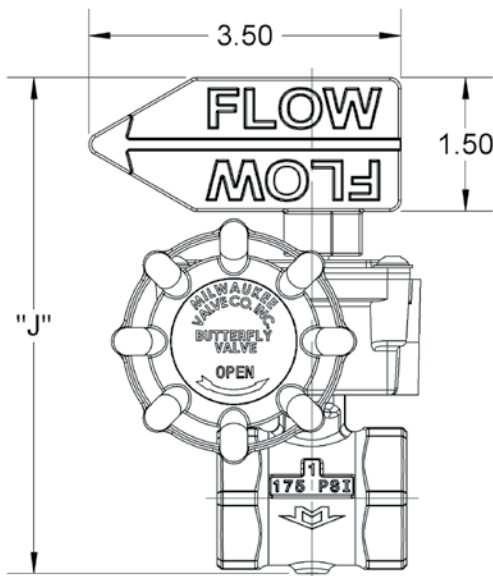


BB-SC100 and BBSCS-02 (Threaded Ends)
Sizes 1", 1-1/4", 1-1/2", 2", 2-1/2"



BBVHSC100 and BBVHS02 3 piece with Grooved Ends Size 2"

BBVHSC100 and BBVHS02 Uni-Body with Grooved Ends Size 2-1/2"



ALL DIMENSIONS-INCHES								
SIZE	THREADED				GROOVED			
	1"	1-1/4"	1-1/2"	2"	SIZE	2"	2-1/2"	
A	2.13	2.63	2.88	3.25	A	-	4.13	
B	3.94	4.28	4.50	5.00	B	5.00	5.41	
C	1.56	1.94	2.19	2.75	C	2.75	3.19	
D	1.72	2.11	2.38	3.06	D	3.06	3.50	
J	5.55	5.91	8.18	6.67	E	0.63	0.31	
K	0.66	0.73	0.73	0.79	F	0.63	0.63	
L	0.83	0.90	0.99	1.41	G	6.00	4.50	
M-40	1.05	1.38	1.61	2.07	H	2.38	2.89	
M-80	0.96	1.28	1.50	1.94	J	6.13	6.25	
N-40	2.25	2.00	2.50	2.25	K	0.79	1.18	
W	1.13	1.25	1.41	1.69	L	1.41	1.29	
					M-40	2.07	2.47	
					M-80	1.94	2.32	
					N-40	2.25	10.00	
					W	-	1.75	

M-40 ARE DIMENSIONS USING SCHEDULE 40 PIPE
M-80 ARE DIMENSIONS USING SCHEDULE 80 PIPE
N-40 IS FLOW RESISTANCE EXPRESSED IN EQUIVALENT LENGTH OF SCHEDULE 40 PIPE
W IS THE WRENCH MAKE-UP LENGTH

MATERIAL LIST

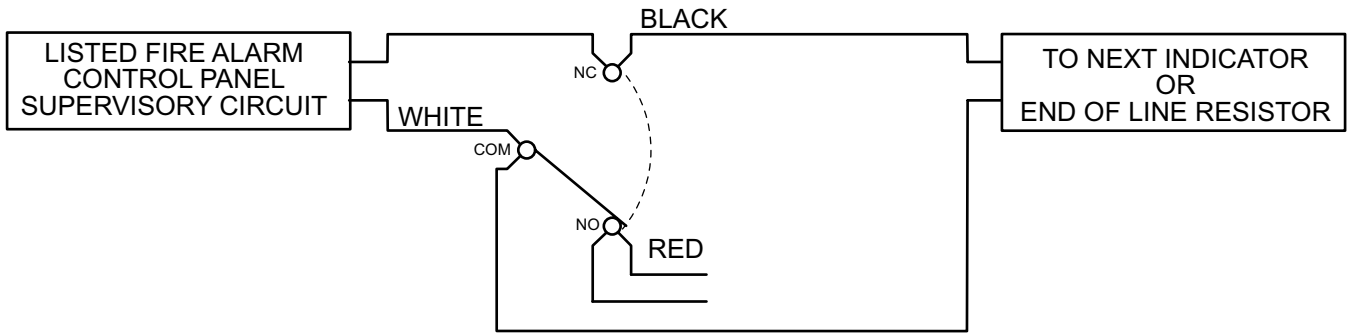
NO.	PART	MATERIAL	SPECIFICATION
1	Indicator	Sintered Iron	F0008P
2	Housing	Bronze	ASTM B584
3	Body	Bronze	ASTM B584
4	Handle	Brass	
5	Disc	Stainless Steel	Type 304
6	Disc Seal	EPDM Elastomer	
7	Cover	Bronze	ASTM B584

The information presented on this sheet is correct at time of publication. Milwaukee Valve reserves the right to change design and/or materials without notice. For our Installation, Operation and Maintenance Manual and the most current product information go to www.milwaukeevalve.com.
 ⚠ State of California Prop 65 **WARNING: Cancer and Reproductive Harm.** For more information visit www.p65warnings.ca.gov.

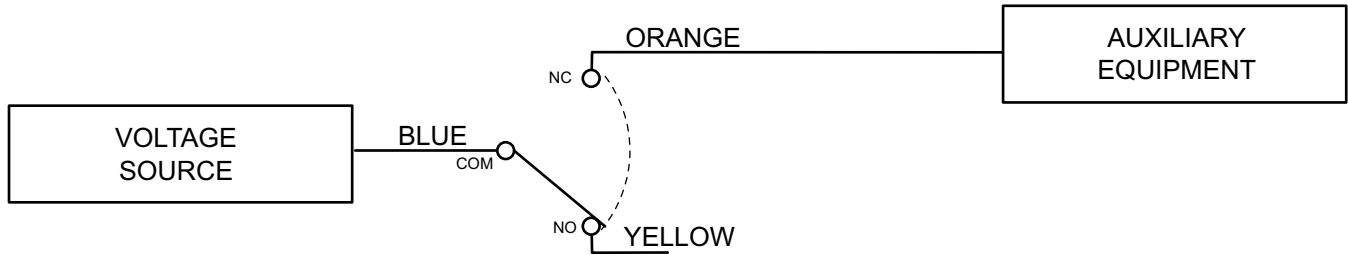


SLO-CLOSE WIRING DIAGRAM

(SWITCH POSITION VALVE FULL OPEN)
SWITCH 1: DUAL LEADS



SWITCH 2: SINGLE LEADS

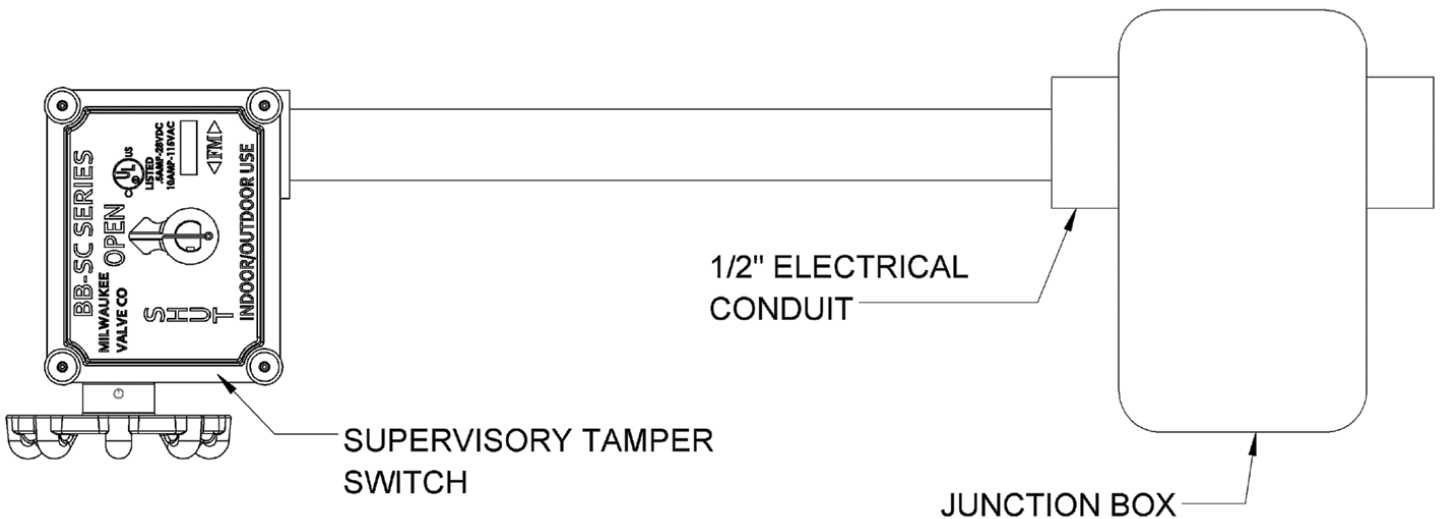


Green Lead provided is ground for switch housing

Switch Rating: 10 AMP/115 VAC
.5 AMP/28 VDC

Cap unused leads with wire nuts and tuck inside junction box (not provided)

NOTE: Valves incorporating supervisory tamper switches are for **indoor and outdoor use.**



The information presented on this sheet is correct at time of publication. Milwaukee Valve reserves the right to change design and/or materials without notice. For our Installation, Operation and Maintenance Manual and the most current product information go to www.milwaukeevalve.com.
⚠ State of California Prop 65 **WARNING:** Cancer and Reproductive Harm. For more information visit www.p65warnings.ca.gov.

