

SELECTION CUBE
DESIGN + ENGINEERING
GROHE GERMANY

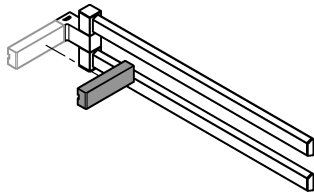
99.0732.031/ÄM 236333/09.16

www.grohe.com

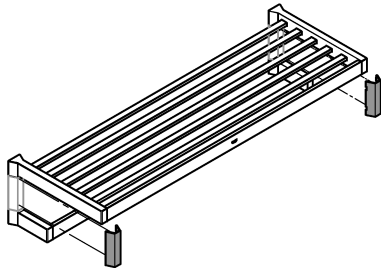
Pure Freude an Wasser



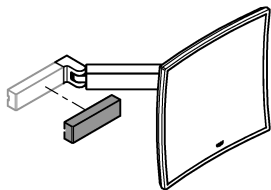
40 768



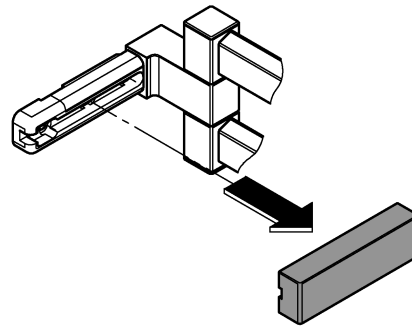
40 804



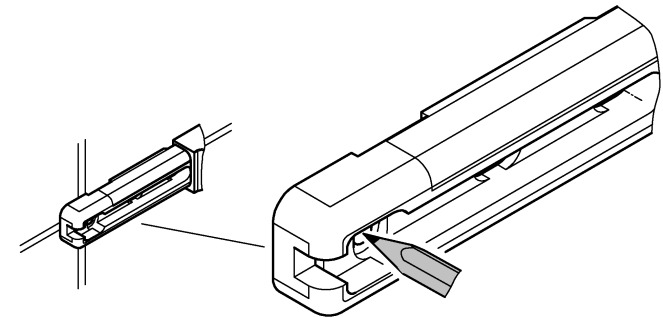
40 808



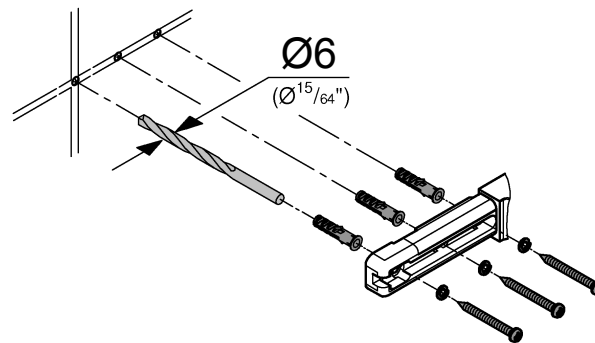
1.



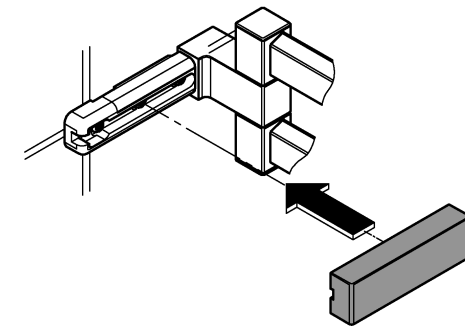
2.



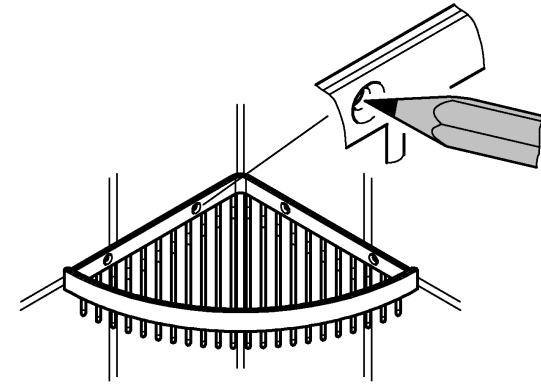
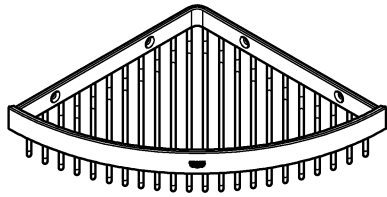
3.



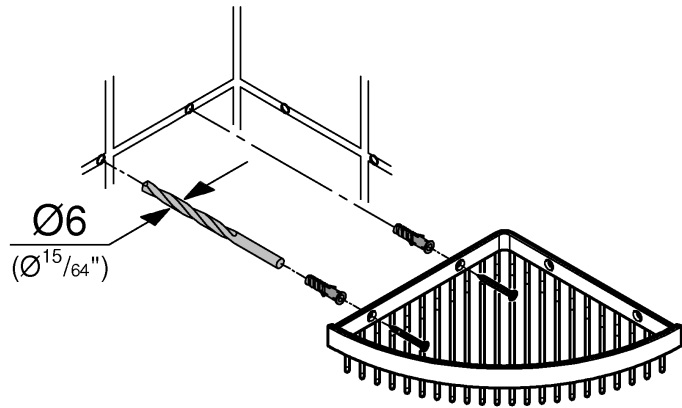
4.



40 809

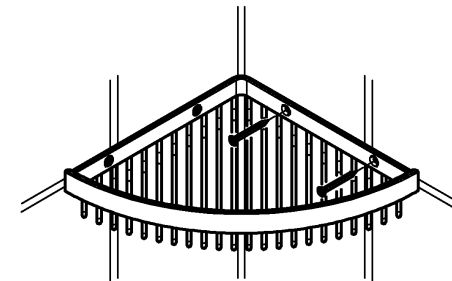


1.



$\text{Ø}6$
($\text{Ø}^{15/64}$ ")

2.



3.