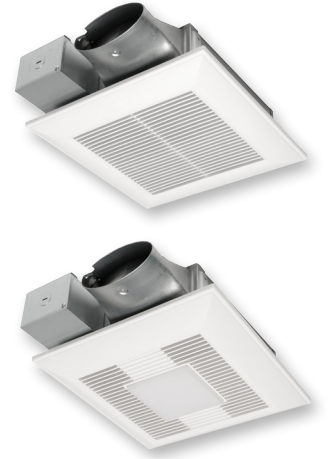


WhisperValue® DC™ Ventilation Fans and Fan/Lights

WhisperValue® DC™ VENTILATION FAN

Fan Only Models:	Fan/Light Models:
FV-0510VS1	FV-0510VSL1
FV-0810VSS1	FV-0810VSSL1
FV-0510VSC1	FV-0510VSCL1



- Precision spot ventilation fan, ideal for residential construction (single and multi-family) and manufactured homes
- Revolutionary ECM motor with SmartFlow™ technology for optimum CFM output
- Pick-A-Flow™ Speed Selector – one fan, you choose the CFM (50¹, 80 or 100 CFM)
- Optional built-in Multi-Speed Control for ASHRAE 62.2 compliance²
- Optional built-in Condensation Sensor to control moisture in the bathroom³
- Lighted models incorporate one 10W dimmable LED chip panel with <1W LED night light for warm, energy efficient illumination (night light must be wired separately)
- 3-3/8" Housing Depth – lowest profile ENERGY STAR® fan available – fits anywhere!
- Unique L-Shaped bracket simplifies installation and provides strong support
- UL approved for ceiling or wall mount (actually fits in a 2 x 4 stud wall)
- Wall Installation reduces cost by eliminating the need to incorporate a radiation damper when penetrating fire rated ceilings, making it ideal for Multi-Family applications
- Can be used to comply with ASHRAE 62.2, LEED, IAP, California Title 24, CALGreen⁴ and WA Ventilation Code

ADDITIONAL BENEFITS

- 24 gauge steel, fire code rated 4" oval to 3" round duct adapter, sold separately (model # FV-VS43R)
- Transfer Register Box (model # FV-JD, sold separately), provides room-to-room powered circulation with ductless heat pumps
- UL listed for use with the Panasonic Ceiling Radiation Damper (model # PC-RD05C5)
- UL listed for tub/shower enclosure when GFCI protected
- Warranty: 6 years ECM Motor, 5 years LED, 3 years all other parts

¹ 50 CFM option not included in FV-0810VSS1 and FV-0810VSSL1

² FV-0810VSS1 and FV-0810VSSL1 only

³ FV-0510VSC1 and FV-0510VSCL1 only

⁴ FV-0510VSC1 and FV-0510VSCL1 only, or when other WhisperValue DC models are combined with a Panasonic Condensation Sensor Plus (FV-WCCS1-W/A or FV-WCCS2-W/A)



Installed Performance



ECM Motor with SmartFlow™ Technology

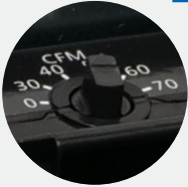
WhisperValue® DC™ is designed to perform as rated. When the fan senses static pressure, its speed is automatically increased to ensure optimal CFM output. This feature provides peace of mind, as the installer doesn't have to worry about compromising the fan's performance, even with a complicated duct run.



Pick-A-Flow™ Speed Technology

Built-in Pick-A-Flow™ speed selector provides the unique ability to select your required airflow with the simple flip of a switch.

Optional Built-In Controls



Multi-Speed for ASHRAE 62.2 Compliance

(FV-0810VSS1 and FV-0810VSSL1 only)

Multi-Speed for ASHRAE 62.2 Compliance

allows you to select the proper CFM settings to satisfy ASHRAE 62.2 continuous ventilation requirements. The fan runs continuously at a preset lower level (0, 30-70, in 10 CFM increments), then elevates to a maximum level of operation (80 or 100 CFM) when the wall switch is turned on.



Condensation Sensor

(FV-0510VSC1 and FV-0510VSSL1 only)

Condensation Sensor helps control bathroom condensation to prevent mold and mildew. Sensor technology detects relative humidity and temperature to anticipate dew point, automatically turning the fan on to control humidity. Built-in Relative Humidity (RH) sensitivity adjustment (30% to 80%, in 10% increments) enables fine tuning for moist conditions and for satisfying CALGreen requirements. The fan will run for 20 minutes before turning off.



LED Lighting

WhisperValue® DC™ fan/light models feature a contemporary flush mount grille that incorporates one 10W Dimmable LED chip panel with <1W LED night light for warm, energy efficient illumination. Panel specifications include: 3000 Kelvin Warm White/90CRI/700 lumens/70 LPW/ENERGY STAR 2.0 certified /JA8 compliant for CA Title 24 / 50,000 hours rated average life.

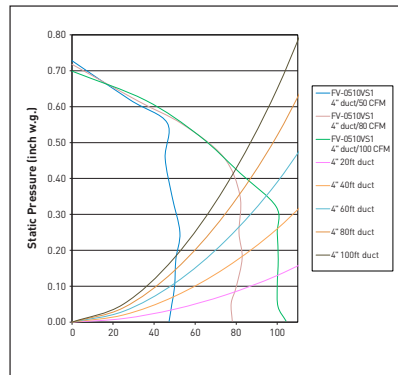
WhisperValue® DC™ to WhisperValue®/ WhisperValue® Lite™ Cross Reference

	WhisperValue® DC™		WhisperValue®/ WhisperValue® Lite™	
	New Model #	Description	Discontinued Model #	Description
Fan Only	FV-0510VS1	Fan Only, 50-80-100 CFM	FV-05VS3	Fan Only, 50 CFM
			FV-08VS3	Fan Only, 80 CFM
			FV-10VS3E	Fan Only, 100 CFM
	FV-0510VSC1	Fan Only, 50-80-100 CFM, Condensation Sensor	N/A	N/A
	FV-0810VSS1	Fan Only, 80-100 CFM, Multi-Speed for ASHRAE 62.2	N/A	N/A
Fan/LED Light	FV-0510VSL1	Fan/LED Light, 50-80-100 CFM	FV-08VSL3	Fan/CFL Light, 80 CFM
			FV-10VSL3E	Fan/CFL Light, 100 CFM
	FV-0510VSSL1	Fan/LED Light, 50-80-100 CFM, Condensation Sensor	N/A	N/A
	FV-0810VSSL1	Fan/LED Light, 80-100 CFM, Multi-Speed for ASHRAE 62.2	N/A	N/A
Contractor Packs	FV-0510VSA1	FV-0510VS1 Housing Can	FV-05-10VSA3	Universal Housing Can
			FV-05VSB3	Motor/Grille Assembly, 50 CFM
			FV-08VSB3	Motor/Grille Assembly, 80 CFM
	FV-0510VSB1	FV-0510VS1 Motor/Grille Assembly, 50-80-100 CFM	FV-10VSB3E	Motor/Grille Assembly, 100 CFM

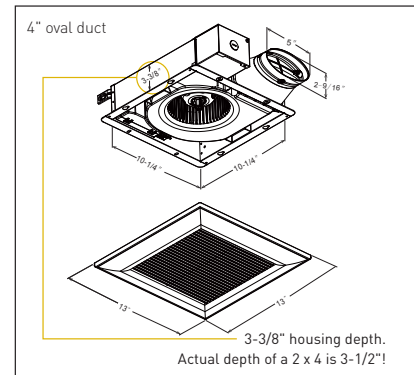


FV-0510VS1

FV-0510VS1



FV-0510VS1



Specifications		WhisperValue [®] DC™ 4" Oval Duct (Fan Only Models)					
		FV-0510VS1					
		4 Oval		4 Oval		4 Oval	
Characteristics (HVI tested data for 0.1" S.P.)	Duct Diameter (Inches)						
	Static Pressure in inches w.g.	0.1	0.25	0.1	0.25	0.1	0.25
	Air Volume (CFM)	100	100	80	81	50	53
	Noise (sones)	0.9	1.3	0.4	0.8	<0.3	0.5
	Power Consumption (watts)	11.1	16.0	7.2	11.5	4.4	7.5
	Energy Efficiency (CFM/Watt)	9.2	6.4	11.4	7.2	12.8	7.9
	Speed (RPM)	902	1121	797	1070	708	1025
	Current (amps)	0.20	0.27	0.13	0.20	0.09	0.14
	MAX. Current (amps)	0.39					
	Power Rating (V/Hz)	120/60					
Specifications	Motor Type	ECM					
	Type of Motor Bearing	Ball					
	Thermal Fuse Protection	Yes					
	Blower Wheel Type	Sirocco					
	ENERGY STAR Qualified	Yes					
Installation	Duct Diameter (Inches)	4 Oval					
	Mounting Opening (Inches sq.)	10-1/2					
	Grille Size (Inches sq.)	13					
Light Specifications	Lamp Watts	N/A					
	Lumens (lm)	N/A					
	Lumens Per Watt (LPW)	N/A					
	Color Rendering Index	N/A					
	Color Temperature (Kelvin)	N/A					
	Rated Life (hours)	N/A					
	Lamp Model #	N/A					
	Type of Lamp Socket	N/A					
Night Light Specs	Night Light Watts	N/A					
Shipping	Gross Weight (lbs)	8.8					
Approved Code/Standard/Regulation	UL tub/Shower Enclosure	Yes					
	Washington VIAQ Code	Yes					
	California Title 24 Compliant	Yes					
	Mfg in ISO 9001 Certified Facility	Yes					

*As tested by an EPA recognized lab

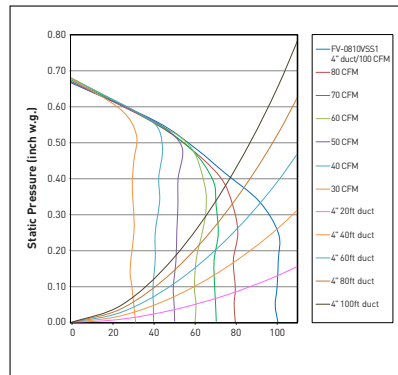
NOTE: 0.25" w.g. = INSTALLED PERFORMANCE



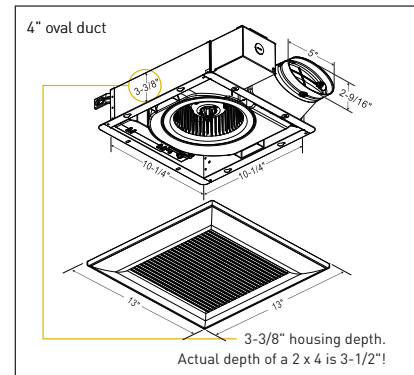


FV-0810VSS1

FV-0810VSS1



FV-0810VSS1



Specifications		WhisperValue [®] DC™ 4" Oval Duct (Fan Only Models)													
		FV-0810VSS1													
		4 Oval		4 Oval		4 Oval		4 Oval		4 Oval		4 Oval		4 Oval	
Characteristics (HVI tested data for 0.1" S.P.)	Static Pressure in inches w.g.	0.1	0.25	0.1	0.25	0.1	0.25	0.1	0.25	0.1	0.25	0.1	0.25	0.1	0.25
	Air Volume (CFM)	100	101	80	81	70	72	60	64	50	52	40	41	30	31
	Noise (sones)	0.9	1.3	0.4	0.8	<0.3	0.6	<0.3	0.6	<0.3	0.5	<0.3	0.5	<0.3	0.5
	Power Consumption (watts)	12.4	18.0	8.5	13.2	6.5	10.8	5.3	9.3	4.5	7.7	3.8	6.7	3.4	6.0
	Energy Efficiency (CFM/Watt)	8.2	5.7	10.0	6.5	11.2	6.9	11.8	7.2	12.1	7.3	11.8	6.9	10.2	6.0
	Speed (RPM)	954	1176	856	1114	805	1088	770	1076	733	1050	723	1037	711	1033
	Current (amps)	0.18	0.25	0.13	0.20	0.10	0.16	0.09	0.15	0.08	0.13	0.07	0.11	0.06	0.10
	MAX. Current (amps)	0.39													
	Power Rating (V/Hz)	120/60													
Specifications	Motor Type	ECM													
	Type of Motor Bearing	Ball													
	Thermal Fuse Protection	Yes													
	Blower Wheel Type	Sirocco													
	ENERGY STAR Qualified	Yes													
Installation	Duct Diameter (Inches)	4 Oval													
	Mounting Opening (Inches sq.)	10-1/2													
	Grille Size (Inches sq.)	13													
Light Specifications	Lamp Watts	N/A													
	Lumens (lm)	N/A													
	Lumens Per Watt (LPW)	N/A													
	Color Rendering Index	N/A													
	Color Temperature (Kelvin)	N/A													
	Rated Life (hours)	N/A													
	Lamp Model #	N/A													
Night Light Specs	Night Light Watts	N/A													
Shipping	Gross Weight (lbs)	9.0													
Approved Code/Standard/ Regulation	UL tub/Shower Enclosure	Yes													
	Washington VIAQ Code	Yes													
	California Title 24 Compliant	Yes													
	Mfg in ISO 9001 Certified Facility	Yes													



*As tested by an EPA recognized lab

NOTE: 0.25" w.g. = INSTALLED PERFORMANCE

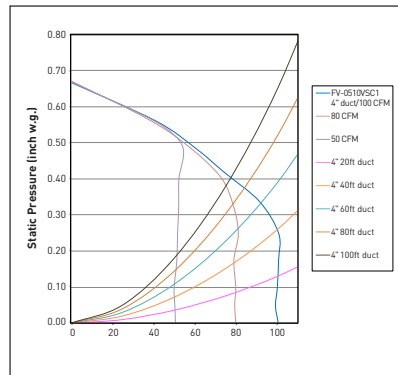
WhisperValue[®] DC™

VENTILATION FAN

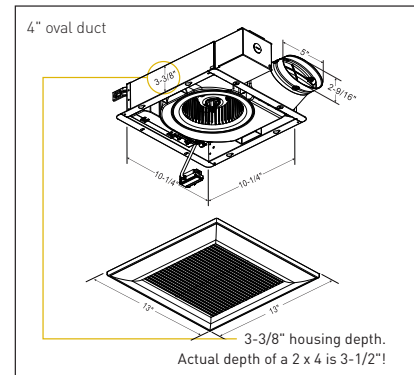


FV-0510VSC1

FV-0510VSC1



FV-0510VSC1



Specifications		WhisperValue [®] DC™ 4" Oval Duct (Fan Only Models)					
		FV-0510VSC1					
		4 Oval		4 Oval		4 Oval	
Characteristics (HVI tested data for 0.1" S.P.)	Duct Diameter (Inches)	0.1	0.25	0.1	0.25	0.1	0.25
	Static Pressure in inches w.g.	0.1	0.25	0.1	0.25	0.1	0.25
	Air Volume (CFM)	100	101	80	81	50	52
	Noise (sones)	0.9	1.3	0.4	0.8	<0.3	0.5
	Power Consumption (watts)	12.4	18.0	8.5	13.2	4.5	7.7
	Energy Efficiency (CFM/Watt)	8.2	5.7	10.0	6.5	12.1	7.3
	Speed (RPM)	954	1176	856	1114	733	1050
	Current (amps)	0.18	0.25	0.13	0.20	0.08	0.13
	MAX. Current (amps)	0.39					
	Power Rating (V/Hz)	120/60					
Specifications	Motor Type	ECM					
	Type of Motor Bearing	Ball					
	Thermal Fuse Protection	Yes					
	Blower Wheel Type	Sirocco					
	ENERGY STAR Qualified	Yes					
Installation	Duct Diameter (Inches)	4 Oval					
	Mounting Opening (Inches sq.)	10-1/2					
	Grille Size (Inches sq.)	13					
Light Specifications	Lamp Watts	N/A					
	Lumens (lm)	N/A					
	Lumens Per Watt (LPW)	N/A					
	Color Rendering Index	N/A					
	Color Temperature (Kelvin)	N/A					
	Rated Life (hours)	N/A					
	Lamp Model #	N/A					
	Type of Lamp Socket	N/A					
Night Light Specs	Night Light Watts	N/A					
Shipping	Gross Weight (lbs)	9.0					
Approved Code/Standard/Regulation	UL tub/Shower Enclosure	Yes					
	Washington VIAQ Code	Yes					
	California Title 24 Compliant	Yes					
	Mfg in ISO 9001 Certified Facility	Yes					



*As tested by an EPA recognized lab

NOTE: 0.25" w.g. = INSTALLED PERFORMANCE

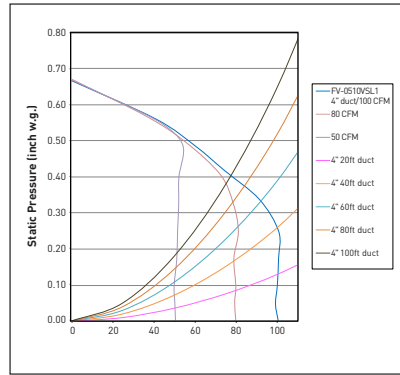
WhisperValue[®] DC™

VENTILATION FAN

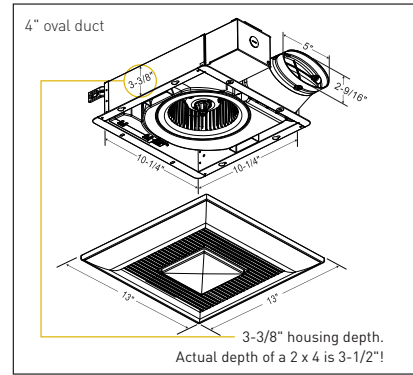


FV-0510VSL1

FV-0510VSL1



FV-0510VSL1



Specifications		WhisperValue [®] DC™ 4" Oval Duct (Fan/LED Light Models)					
		FV-0510VSL1					
Duct Diameter (Inches)		4 Oval		4 Oval		4 Oval	
Characteristics (HVI tested data for 0.1" S.P.)	Static Pressure in inches w.g.	0.1	0.25	0.1	0.25	0.1	0.25
	Air Volume (CFM)	100	101	80	81	50	52
	Noise (sones)	0.9	1.3	0.4	0.8	<0.3	0.5
	Power Consumption (watts)	12.4	18.0	8.5	13.2	4.5	7.7
	Energy Efficiency (CFM/Watt)	8.2	5.7	10.0	6.5	12.1	7.3
	Speed (RPM)	954	1176	856	1114	733	1050
	Current (amps)	0.18	0.25	0.13	0.20	0.08	0.13
	MAX. Current (amps)	0.39					
	Power Rating (V/Hz)	120/60					
Specifications	Motor Type	ECM					
	Type of Motor Bearing	Ball					
	Thermal Fuse Protection	Yes					
	Blower Wheel Type	Sirocco					
	ENERGY STAR Qualified	Yes					
Installation	Duct Diameter (Inches)	4 Oval					
	Mounting Opening (Inches sq.)	10-1/2					
	Grille Size (Inches sq.)	13					
Light Specifications	Lamp Watts	10.0					
	Lumens (lm)	700					
	Lumens Per Watt (LPW)	70					
	Color Rendering Index	90					
	Color Temperature (Kelvin)	3,000					
	Rated Life (hours)	50,000					
	Lamp Model #	N/A					
Type of Lamp Socket	LED chip						
Night Light Specs	Night Light Watts	0.2					
Shipping	Gross Weight (lbs)	9.9					
Approved Code/Standard/Regulation	UL tub/Shower Enclosure	Yes					
	Washington VIAQ Code	Yes					
	California Title 24 Compliant	Yes					
	Mfg in ISO 9001 Certified Facility	Yes					



*As tested by an EPA recognized lab

NOTE: 0.25" w.g. = INSTALLED PERFORMANCE

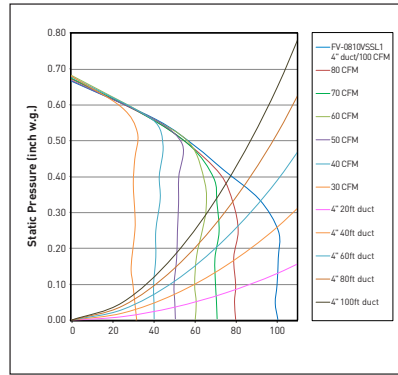
WhisperValue[®] DC™

VENTILATION FAN

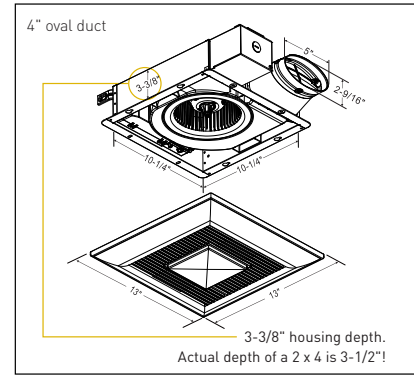


FV-0810VSSL1

FV-0810VSSL1



FV-0810VSSL1



Specifications		WhisperValue [®] DC™ 4" Oval Duct (Fan/LED Light Models)													
		FV-0810VSSL1													
		4 Oval		4 Oval		4 Oval		4 Oval		4 Oval		4 Oval		4 Oval	
Characteristics (HVI tested data for 0.1" S.P.)	Static Pressure in inches w.g.	0.1	0.25	0.1	0.25	0.1	0.25	0.1	0.25	0.1	0.25	0.1	0.25	0.1	0.25
	Air Volume (CFM)	100	101	80	81	70	72	60	64	50	52	40	41	30	31
	Noise (sones)	0.9	1.3	0.4	0.8	<0.3	0.6	<0.3	0.6	<0.3	0.5	<0.3	0.5	<0.3	0.5
	Power Consumption (watts)	12.4	18.0	8.5	13.2	6.5	10.8	5.3	9.3	4.5	7.7	3.8	6.7	3.4	6.0
	Energy Efficiency (CFM/Watt)	8.2	5.7	10.0	6.5	11.2	6.9	11.8	7.2	12.1	7.3	11.8	6.9	10.2	6.0
	Speed (RPM)	954	1176	856	1114	805	1088	770	1076	733	1050	723	1037	711	1033
	Current (amps)	0.18	0.25	0.13	0.20	0.10	0.16	0.09	0.15	0.08	0.13	0.07	0.11	0.06	0.10
	MAX. Current (amps)	0.39													
	Power Rating (V/Hz)	120/60													
Specifications	Motor Type	ECM													
	Type of Motor Bearing	Ball													
	Thermal Fuse Protection	Yes													
	Blower Wheel Type	Sirocco													
	ENERGY STAR Qualified	Yes													
Installation	Duct Diameter (Inches)	4 Oval													
	Mounting Opening (Inches sq.)	10-1/2													
	Grille Size (Inches sq.)	13													
Light Specifications	Lamp Watts	10.0													
	Lumens (lm)	700													
	Lumens Per Watt (LPW)	70													
	Color Rendering Index	90													
	Color Temperature (Kelvin)	3,000													
	Rated Life (hours)	50,000													
	Lamp Model #	N/A													
Type of Lamp Socket	LED Chip														
Night Light Specs	Night Light Watts	0.2													
Shipping	Gross Weight (lbs)	9.9													
Approved Code/Standard/ Regulation	UL tub/Shower Enclosure	Yes													
	Washington VIAQ Code	Yes													
	California Title 24 Compliant	Yes													
	Mfg in ISO 9001 Certified Facility	Yes													

*As tested by an EPA recognized lab

NOTE: 0.25" w.g. = INSTALLED PERFORMANCE



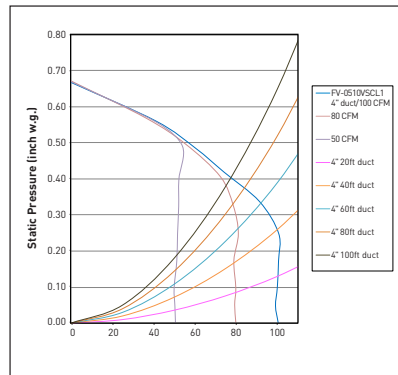
WhisperValue[®] DC™

VENTILATION FAN

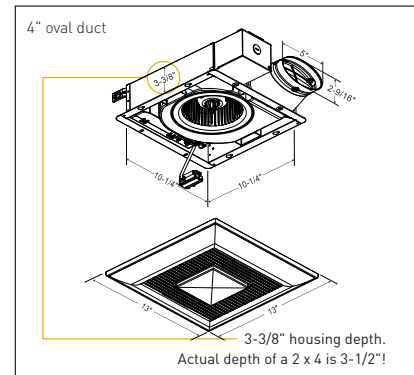


FV-0510VSCL1

FV-0510VSCL1



FV-0510VSCL1



Specifications		WhisperValue [®] DC™ 4" Oval Duct (Fan/LED Light Models)					
		FV-0510VSCL1					
		4 Oval		4 Oval		4 Oval	
Characteristics (HVI tested data for 0.1" S.P.)	Static Pressure in inches w.g.	0.1	0.25	0.1	0.25	0.1	0.25
	Air Volume (CFM)	100	101	80	81	50	52
	Noise (sones)	0.9	1.3	0.4	0.8	<0.3	0.5
	Power Consumption (watts)	12.4	18.0	8.5	13.2	4.5	7.7
	Energy Efficiency (CFM/Watt)	8.2	5.7	10.0	6.5	12.1	7.3
	Speed (RPM)	954	1176	856	1114	733	1050
	Current (amps)	0.18	0.25	0.13	0.20	0.08	0.13
	MAX. Current (amps)	0.39					
Specifications	Power Rating (V/Hz)	120/60					
	Motor Type	ECM					
	Type of Motor Bearing	Ball					
	Thermal Fuse Protection	Yes					
	Blower Wheel Type	Sirocco					
Installation	ENERGY STAR Qualified	Yes					
	Duct Diameter (Inches)	4 Oval					
	Mounting Opening (Inches sq.)	10-1/2					
Light Specifications	Grille Size (Inches sq.)	13					
	Lamp Watts	10.0					
	Lumens (lm)	700					
	Lumens Per Watt (LPW)	70					
	Color Rendering Index	90					
	Color Temperature (Kelvin)	3,000					
	Rated Life (hours)	50,000					
Night Light Specs	Lamp Model #	N/A					
	Type of Lamp Socket	LED chip					
Night Light Specs	Night Light Watts	0.2					
Shipping	Gross Weight (lbs)	9.9					
	UL tub/Shower Enclosure	Yes					
Approved Code/Standard/Regulation	Washington VIAQ Code	Yes					
	California Title 24 Compliant	Yes					
	Mfg in ISO 9001 Certified Facility	Yes					

*As tested by an EPA recognized lab NOTE: 0.25" w.g. = INSTALLED PERFORMANCE



Panasonic Eco Solutions of North America
Eco Products Division
Two Riverfront Plaza
Newark, NJ 07102
us.panasonic.com/ventfans

For Order Information
PHONE: 866-292-7299
FAX: 888-553-0723
ventfans@us.panasonic.com