



PACKAGE HEAT PUMP UNITS

FORM NO. P11-773 REV. 4
Supersedes Form No. P11-773 Rev. 3

Featuring Industry Standard R-410A Refrigerant

R-410A

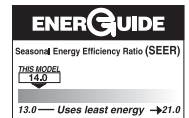
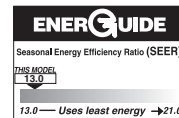
RJNL- 13 SEER HIGH EFFICIENCY SERIES
NOMINAL SIZES 3-5 TONS [10.6-17.6 kW]

RJNL- 11 EER HIGH EFFICIENCY SERIES
NOMINAL SIZES 6 TONS [21.1 kW]

RJPL- 14 SEER HIGH EFFICIENCY SERIES
NOMINAL SIZES 3-5 TONS [10.6-17.6 kW]



***Unit shown with optional louver panels installed.**

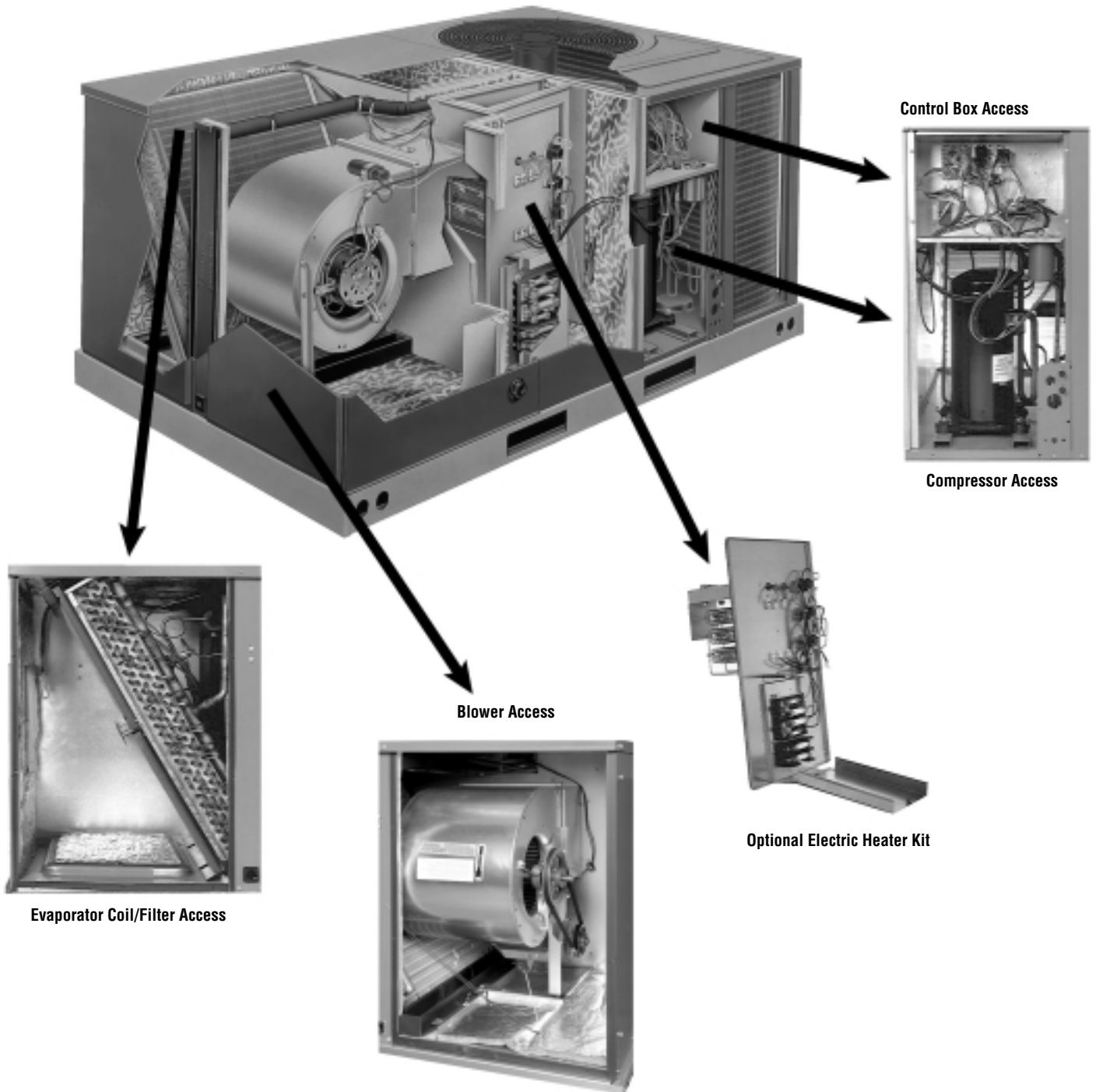


(14 SEER MODELS ONLY)



Introduction	3-4
Model Identification Options	5-6
General Data	
RJNL- Series	7-15
RJPL- Series	16-22
General Data Notes	23
Performance Data	
RJNL- Series	24-28
RJPL- Series	29-32
Airflow Performance	
RJNL-/RJPL- Series	33-37
Electrical Data	
RJNL- Series	38-41
RJPL- Series	42-43
Units with Heater Kits	
RJNL- Series	44-51
RJPL- Series	52-58
Dimensional Data	59-64
Accessories	65-74
Mechanical Specifications	75
Typical Wiring	76-85
Limited Warranty	88

These quality features are included in the Rheem Outdoor Package Heat Pumps



These quality features are included in the Rheem Package Gas Electric Unit



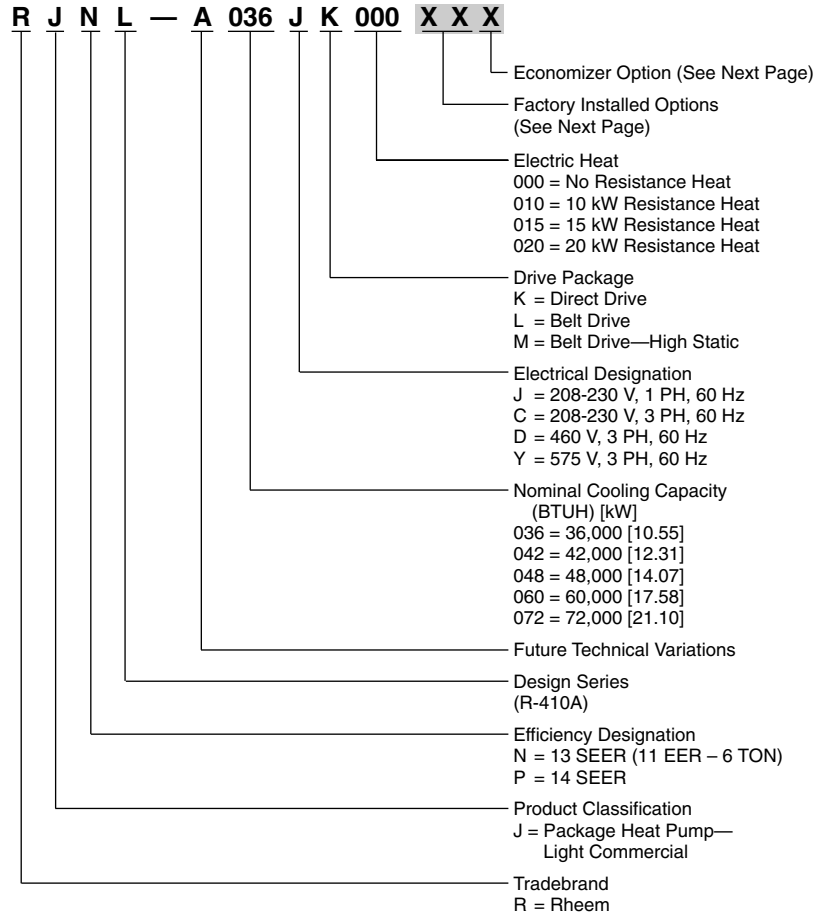
RJNL - A036, A042, A048, A060, A072
RJPL - A036, A042, A048, A060

STANDARD FEATURES INCLUDE:

- R-410A HFC refrigerant.
- Complete factory charged, wired and run tested.
- Scroll compressors with internal line break overload and high-pressure protection.
- Single stage compressor on all models.
- Convertible airflow.
- TXV refrigerant metering system on each circuit.
- High Pressure protection standard on all models. Low Pressure/Loss of charge protection standard on 6 ton model.
- Solid Core liquid line filter drier on each circuit.
- Single slab, single pass designed evaporator coil facilitate easy cleaning for maintained high efficiencies.
- Cooling operation up to 125 degree F ambient.
- Easy access to filter, blower, electric heat, and compressor/control compartments permit prompt service.
- Powder Paint Finish meets ASTM B117 steel coated on each side for maximum protection. G90 galvanized.
- One piece top cover and one piece base pan with drawn supply and return opening for superior water management.
- Externally mounted refrigerant gauge ports for easy service diagnostics.
- Easy to install plug-in; slip in, 100% fully modulating economizer with barometric relief.
- Forkable base rails for easy handling and lifting.
- Single point electrical connection.
- Direct drive or high performance belt drive motor with variable pitch pulleys and quick adjust belt system.
- Permanently lubricated evaporator and condenser motors.
- Condenser motors are internally protected, totally enclosed with shaft down design.
- 1 inch filter standard with slide out design.
- Colored and labeled wiring.
- Copper tube/Aluminum Fin coils.
- Molded compressor plug.
- Supplemental electric heat provides 100% efficient heating.



MODEL IDENTIFICATION—RJNL/RJPL- SERIES



[] Designates Metric Conversions



FACTORY INSTALLED OPTION CODES FOR RJNL- (3-6 Ton) [10.6-21.1 kW] (A036, A042, A048, A060) RJPL- (3-5 Ton) [10.6-17.6 kW]

Option Code	Hail Guard	Non-Powered Convenience Outlet	Low Ambient/ Freeze Stat
AD	x		
AG		x	
AP			x
BY	x		x
BJ	x	x	
CX	x	x	x
JC		x	x

Example: RJNL-A060JK000XXX (where XX is factory installed option)

Example: No Options

RJNL-A060JK000

Example: No Options with Factory Installed Economizer

RJNL-A060JK000AAB

Example: Options with Hailguard with no Factory Installed Economizer

RJNL-A060JK000ADA

Example: Options same as above with Factory Installed Economizer

RJNL-A060JK000ADB

ECONOMIZER SELECTION FOR RJNL- (3-6 Ton) [10.6-21.1 kW] (A036, A042, A048, A060) RJPL- (3-5 Ton) [10.6-17.6 kW]

	No Economizer	Single Enthalpy Economizer With Barometric Relief
A	x	
B		x

“x” indicates factory installed option.

[] Designates Metric Conversions



NOMINAL SIZES 3-5 TONS [10.6-17.6 kW]

Model RJNL- Series	A036CK	A036CL	A036CM	A036DK
Cooling Performance¹				CONTINUED →
Gross Cooling Capacity Btu [kW]	37,800 [11.08]	37,800 [11.08]	37,800 [11.08]	37,800 [11.08]
EER/SEER ²	11.5/13	11.5/13	11.5/13	11.5/13
Nominal CFM/AHRI Rated CFM [L/s]	1200/1200 [566/566]	1200/1200 [566/566]	1200/1200 [566/566]	1200/1200 [566/566]
AHRI Net Cooling Capacity Btu [kW]	36,200 [10.61]	36,200 [10.61]	36,200 [10.61]	36,200 [10.61]
Net Sensible Capacity Btu [kW]	27,000 [7.91]	27,000 [7.91]	27,000 [7.91]	27,000 [7.91]
Net Latent Capacity Btu [kW]	9,200 [2.7]	9,200 [2.7]	9,200 [2.7]	9,200 [2.7]
Net System Power kW	3.1	3.1	3.1	3.1
Heating Performance (Heat Pumps)				
Heating Temp. Btuh [kW] Rating	34,400 [10.08]	34,400 [10.08]	34,400 [10.08]	34,400 [10.08]
System Power KW/COP	2.94/3.4	2.94/3.4	2.94/3.4	2.94/3.4
Low Temp. Btuh [kW] Rating	19,600 [5.74]	19,600 [5.74]	19,600 [5.74]	19,600 [5.74]
System Power KW/COP	2.72/2.1	2.72/2.1	2.72/2.1	2.72/2.1
HSPF (Btu/Watts-hr)	7.7	7.7	7.7	7.7
Compressor				
No./Type	1/Scroll	1/Scroll	1/Scroll	1/Scroll
Outdoor Sound Rating (dB)³	83	83	83	83
Outdoor Coil—Fin Type	Louvered	Louvered	Louvered	Louvered
Tube Type	Rifled	Rifled	Rifled	Rifled
Tube Size in. [mm] OD	0.375 [9.5]	0.375 [9.5]	0.375 [9.5]	0.375 [9.5]
Face Area sq. ft. [sq. m]	16.89 [1.57]	16.89 [1.57]	16.89 [1.57]	16.89 [1.57]
Rows / FPI [FPcm]	1 / 22 [9]	1 / 22 [9]	1 / 22 [9]	1 / 22 [9]
Refrigerant Control	TX Valves	TX Valves	TX Valves	TX Valves
Indoor Coil—Fin Type	Louvered	Louvered	Louvered	Louvered
Tube Type	Rifled	Rifled	Rifled	Rifled
Tube Size in. [mm]	0.375 [9.5]	0.375 [9.5]	0.375 [9.5]	0.375 [9.5]
Face Area sq. ft. [sq. m]	5.16 [0.48]	5.16 [0.48]	5.16 [0.48]	5.16 [0.48]
Rows / FPI [FPcm]	3 / 13 [5]	3 / 13 [5]	3 / 13 [5]	3 / 13 [5]
Refrigerant Control	TX Valves	TX Valves	TX Valves	TX Valves
Drain Connection No./Size in. [mm]	1/1 [25.4]	1/1 [25.4]	1/1 [25.4]	1/1 [25.4]
Outdoor Fan—Type	Propeller	Propeller	Propeller	Propeller
No. Used/Diameter in. [mm]	1/24 [609.6]	1/24 [609.6]	1/24 [609.6]	1/24 [609.6]
Drive Type/No. Speeds	Direct/1	Direct/1	Direct/1	Direct/1
CFM [L/s]	4000 [1888]	4000 [1888]	4000 [1888]	4000 [1888]
No. Motors/HP	1 at 1/3 HP	1 at 1/3 HP	1 at 1/3 HP	1 at 1/3 HP
Motor RPM	1075	1075	1075	1075
Indoor Fan—Type	FC Centrifugal	FC Centrifugal	FC Centrifugal	FC Centrifugal
No. Used/Diameter in. [mm]	1/10x10 [254x254]	1/10x10 [254x254]	1/10x10 [254x254]	1/10x10 [254x254]
Drive Type/No. Speeds	Direct/3	Belt/Variable	Belt/Variable	Direct/3
No. Motors	1	1	1	1
Motor HP	1/2	1/2	3/4	1/2
Motor RPM	1075	1725	1725	1075
Motor Frame Size	48	56	56	48
Filter—Type	Disposable	Disposable	Disposable	Disposable
Furnished	Yes	Yes	Yes	Yes
(No.) Size Recommended in. [mm]	(2)1x25x16 [25x635x406]	(2)1x25x16 [25x635x406]	(2)1x25x16 [25x635x406]	(2)1x25x16 [25x635x406]
Refrigerant Charge Oz. [g]	116 [3289]	116 [3289]	116 [3289]	116 [3289]
Weights				
Net Weight lbs. [kg]	517 [235]	517 [235]	517 [235]	517 [235]
Ship Weight lbs. [kg]	532 [241]	532 [241]	532 [241]	532 [241]

See Page 23 for Notes.

[] Designates Metric Conversions



NOMINAL SIZES 3-5 TONS [10.6-17.6 kW]

Model RJNL- Series	A036DL	A036DM	A036JK	A042CK
Cooling Performance¹				CONTINUED →
Gross Cooling Capacity Btu [kW]	37,800 [11.08]	37,800 [11.08]	37,800 [11.08]	44,000 [12.89]
EER/SEER ²	11.5/13	11.5/13	11.5/13	11.2/13
Nominal CFM/AHRI Rated CFM [L/s]	1200/1200 [566/566]	1200/1200 [566/566]	1200/1200 [566/566]	1400/1400 [661/661]
AHRI Net Cooling Capacity Btu [kW]	36,200 [10.61]	36,200 [10.61]	36,200 [10.61]	42,000 [12.31]
Net Sensible Capacity Btu [kW]	27,000 [7.91]	27,000 [7.91]	27,000 [7.91]	31,200 [9.14]
Net Latent Capacity Btu [kW]	9,200 [2.7]	9,200 [2.7]	9,200 [2.7]	10,800 [3.16]
Net System Power kW	3.1	3.1	3.1	3.74
Heating Performance (Heat Pumps)				
Heating Temp. Btuh [kW] Rating	34,400 [10.08]	34,400 [10.08]	34,400 [10.08]	41,000 [12.01]
System Power KW/COP	2.94/3.4	2.94/3.4	2.94/3.4	3.38/3.5
Low Temp. Btuh [kW] Rating	19,600 [5.74]	19,600 [5.74]	19,600 [5.74]	24,400 [7.15]
System Power KW/COP	2.72/2.1	2.72/2.1	2.72/2.1	3.12/2.3
HSPF (Btu/Watts-hr)	7.7	7.7	7.7	7.7
Compressor				
No./Type	1/Scroll	1/Scroll	1/Scroll	1/Scroll
Outdoor Sound Rating (dB)³	83	83	83	83
Outdoor Coil—Fin Type	Louvered	Louvered	Louvered	Louvered
Tube Type	Rifled	Rifled	Rifled	Rifled
Tube Size in. [mm] OD	0.375 [9.5]	0.375 [9.5]	0.375 [9.5]	0.375 [9.5]
Face Area sq. ft. [sq. m]	16.89 [1.57]	16.89 [1.57]	16.89 [1.57]	16.89 [1.57]
Rows / FPI [FPcm]	1 / 22 [9]	1 / 22 [9]	1 / 22 [9]	1 / 22 [9]
Refrigerant Control	TX Valves	TX Valves	TX Valves	TX Valves
Indoor Coil—Fin Type	Louvered	Louvered	Louvered	Louvered
Tube Type	Rifled	Rifled	Rifled	Rifled
Tube Size in. [mm]	0.375 [9.5]	0.375 [9.5]	0.375 [9.5]	0.375 [9.5]
Face Area sq. ft. [sq. m]	5.16 [0.48]	5.16 [0.48]	5.16 [0.48]	5.16 [0.48]
Rows / FPI [FPcm]	3 / 13 [5]	3 / 13 [5]	3 / 13 [5]	3 / 13 [5]
Refrigerant Control	TX Valves	TX Valves	TX Valves	TX Valves
Drain Connection No./Size in. [mm]	1/1 [25.4]	1/1 [25.4]	1/1 [25.4]	1/1 [25.4]
Outdoor Fan—Type	Propeller	Propeller	Propeller	Propeller
No. Used/Diameter in. [mm]	1/24 [609.6]	1/24 [609.6]	1/24 [609.6]	1/24 [609.6]
Drive Type/No. Speeds	Direct/1	Direct/1	Direct/1	Direct/1
CFM [L/s]	4000 [1888]	4000 [1888]	4000 [1888]	4000 [1888]
No. Motors/HP	1 at 1/3 HP	1 at 1/3 HP	1 at 1/3 HP	1 at 1/3 HP
Motor RPM	1075	1075	1075	1075
Indoor Fan—Type	FC Centrifugal	FC Centrifugal	FC Centrifugal	FC Centrifugal
No. Used/Diameter in. [mm]	1/10x10 [254x254]	1/10x10 [254x254]	1/10x10 [254x254]	1/10x10 [254x254]
Drive Type/No. Speeds	Belt/Variable	Belt/Variable	Direct/3	Direct/3
No. Motors	1	1	1	1
Motor HP	1/2	3/4	1/2	1/2
Motor RPM	1725	1725	1075	1075
Motor Frame Size	56	56	48	48
Filter—Type	Disposable	Disposable	Disposable	Disposable
Furnished	Yes	Yes	Yes	Yes
(No.) Size Recommended in. [mm]	(2)1x25x16 [25x635x406]	(2)1x25x16 [25x635x406]	(2)1x25x16 [25x635x406]	(2)1x25x16 [25x635x406]
Refrigerant Charge Oz. [g]	116 [3289]	116 [3289]	120 [3402]	120 [3402]
Weights				
Net Weight lbs. [kg]	517 [235]	517 [235]	517 [235]	521 [236]
Ship Weight lbs. [kg]	532 [241]	532 [241]	532 [241]	536 [243]

See Page 23 for Notes.

[] Designates Metric Conversions



NOMINAL SIZES 3-5 TONS [10.6-17.6 kW]

Model RJNL- Series	A042CL	A042CM	A042DK	A042DL
Cooling Performance¹				CONTINUED →
Gross Cooling Capacity Btu [kW]	44,000 [12.89]	44,000 [12.89]	44,000 [12.89]	44,000 [12.89]
EER/SEER ²	11.2/13	11.2/13	11.2/13	11.2/13
Nominal CFM/AHRI Rated CFM [L/s]	1400/1400 [661/661]	1400/1400 [661/661]	1400/1400 [661/661]	1400/1400 [661/661]
AHRI Net Cooling Capacity Btu [kW]	42,000 [12.31]	42,000 [12.31]	42,000 [12.31]	42,000 [12.31]
Net Sensible Capacity Btu [kW]	31,200 [9.14]	31,200 [9.14]	31,200 [9.14]	31,200 [9.14]
Net Latent Capacity Btu [kW]	10,800 [3.16]	10,800 [3.16]	10,800 [3.16]	10,800 [3.16]
Net System Power kW	3.74	3.74	3.74	3.74
Heating Performance (Heat Pumps)				
Heating Temp. Btuh [kW] Rating	41,000 [12.01]	41,000 [12.01]	41,000 [12.01]	41,000 [12.01]
System Power KW/COP	3.38/3.5	3.38/3.5	3.38/3.5	3.38/3.5
Low Temp. Btuh [kW] Rating	24,400 [7.15]	24,400 [7.15]	24,400 [7.15]	24,000 [7.03]
System Power KW/COP	3.12/2.3	3.12/2.3	3.12/2.3	3.12/2.3
HSPF (Btu/Watts-hr)	7.7	7.7	7.7	7.7
Compressor				
No./Type	1/Scroll	1/Scroll	1/Scroll	1/Scroll
Outdoor Sound Rating (dB)³	83	83	83	83
Outdoor Coil—Fin Type	Louvered	Louvered	Louvered	Louvered
Tube Type	Rifled	Rifled	Rifled	Rifled
Tube Size in. [mm] OD	0.375 [9.5]	0.375 [9.5]	0.375 [9.5]	0.375 [9.5]
Face Area sq. ft. [sq. m]	16.89 [1.57]	16.89 [1.57]	16.89 [1.57]	16.89 [1.57]
Rows / FPI [FPcm]	1 / 22 [9]	1 / 22 [9]	1 / 22 [9]	1 / 22 [9]
Refrigerant Control	TX Valves	TX Valves	TX Valves	TX Valves
Indoor Coil—Fin Type	Louvered	Louvered	Louvered	Louvered
Tube Type	Rifled	Rifled	Rifled	Rifled
Tube Size in. [mm]	0.375 [9.5]	0.375 [9.5]	0.375 [9.5]	0.375 [9.5]
Face Area sq. ft. [sq. m]	5.16 [0.48]	5.16 [0.48]	5.16 [0.48]	5.16 [0.48]
Rows / FPI [FPcm]	3 / 13 [5]	3 / 13 [5]	3 / 13 [5]	3 / 13 [5]
Refrigerant Control	TX Valves	TX Valves	TX Valves	TX Valves
Drain Connection No./Size in. [mm]	1/1 [25.4]	1/1 [25.4]	1/1 [25.4]	1/1 [25.4]
Outdoor Fan—Type	Propeller	Propeller	Propeller	Propeller
No. Used/Diameter in. [mm]	1/24 [609.6]	1/24 [609.6]	1/24 [609.6]	1/24 [609.6]
Drive Type/No. Speeds	Direct/1	Direct/1	Direct/1	Direct/1
CFM [L/s]	4000 [1888]	4000 [1888]	4000 [1888]	4000 [1888]
No. Motors/HP	1 at 1/3 HP	1 at 1/3 HP	1 at 1/3 HP	1 at 1/3 HP
Motor RPM	1075	1075	1075	1075
Indoor Fan—Type	FC Centrifugal	FC Centrifugal	FC Centrifugal	FC Centrifugal
No. Used/Diameter in. [mm]	1/10x10 [254x254]	1/10x10 [254x254]	1/10x10 [254x254]	1/10x10 [254x254]
Drive Type/No. Speeds	Belt/Variable	Belt/Variable	Direct/3	Belt/Variable
No. Motors	1	1	1	1
Motor HP	1/2	3/4	1/2	1/2
Motor RPM	1725	1725	1075	1725
Motor Frame Size	56	56	48	56
Filter—Type	Disposable	Disposable	Disposable	Disposable
Furnished	Yes	Yes	Yes	Yes
(No.) Size Recommended in. [mm]	(2)1x25x16 [25x635x406]	(2)1x25x16 [25x635x406]	(2)1x25x16 [25x635x406]	(2)1x25x16 [25x635x406]
Refrigerant Charge Oz. [g]	120 [3402]	120 [3402]	120 [3402]	120 [3402]
Weights				
Net Weight lbs. [kg]	521 [236]	521 [236]	521 [236]	521 [236]
Ship Weight lbs. [kg]	536 [243]	536 [243]	536 [243]	536 [243]

See Page 23 for Notes.

[] Designates Metric Conversions



NOMINAL SIZES 3-5 TONS [10.6-17.6 kW]

Model RJNL- Series	A042DM	A042JK	A048CK	A048CL
Cooling Performance¹				CONTINUED →
Gross Cooling Capacity Btu [kW]	44,000 [12.89]	44,000 [12.89]	50,000 [14.65]	50,000 [14.65]
EER/SEER ²	11.2/13	11.2/13	11.2/13	11.2/13
Nominal CFM/AHRI Rated CFM [L/s]	1400/1400 [661/661]	1400/1400 [661/661]	1600/1600 [755/755]	1600/1600 [755/755]
AHRI Net Cooling Capacity Btu [kW]	42,000 [12.31]	42,000 [12.31]	47,500 [13.92]	47,500 [13.92]
Net Sensible Capacity Btu [kW]	31,200 [9.14]	31,200 [9.14]	35,700 [10.46]	35,700 [10.46]
Net Latent Capacity Btu [kW]	10,800 [3.16]	10,800 [3.16]	11,800 [3.46]	11,800 [3.46]
Net System Power kW	3.74	3.74	4.22	4.22
Heating Performance (Heat Pumps)				
Heating Temp. Btuh [kW] Rating	41,000 [12.01]	41,000 [12.01]	49,000 [14.36]	49,000 [14.36]
System Power KW/COP	3.38/3.5	3.38/3.5	3.93/3.6	3.93/3.6
Low Temp. Btuh [kW] Rating	24,400 [7.15]	24,400 [7.15]	29,000 [8.5]	29,000 [8.5]
System Power KW/COP	3.12/2.3	3.12/2.3	3.63/2.3	3.63/2.3
HSPF (Btu/Watts-hr)	7.7	7.7	7.7	7.7
Compressor				
No./Type	1/Scroll	1/Scroll	1/Scroll	1/Scroll
Outdoor Sound Rating (dB)³	83	83	83	83
Outdoor Coil—Fin Type	Louvered	Louvered	Louvered	Louvered
Tube Type	Rifled	Rifled	Rifled	Rifled
Tube Size in. [mm] OD	0.375 [9.5]	0.375 [9.5]	0.375 [9.5]	0.375 [9.5]
Face Area sq. ft. [sq. m]	16.89 [1.57]	16.89 [1.57]	16.56 [1.54]	16.56 [1.54]
Rows / FPI [FPcm]	1 / 22 [9]	1 / 22 [9]	2 / 22 [9]	2 / 22 [9]
Refrigerant Control	TX Valves	TX Valves	TX Valves	TX Valves
Indoor Coil—Fin Type	Louvered	Louvered	Louvered	Louvered
Tube Type	Rifled	Rifled	Rifled	Rifled
Tube Size in. [mm]	0.375 [9.5]	0.375 [9.5]	0.375 [9.5]	0.375 [9.5]
Face Area sq. ft. [sq. m]	5.16 [0.48]	5.16 [0.48]	5.16 [0.48]	5.16 [0.48]
Rows / FPI [FPcm]	3 / 13 [5]	3 / 13 [5]	4 / 13 [5]	4 / 13 [5]
Refrigerant Control	TX Valves	TX Valves	TX Valves	TX Valves
Drain Connection No./Size in. [mm]	1/1 [25.4]	1/1 [25.4]	1/1 [25.4]	1/1 [25.4]
Outdoor Fan—Type	Propeller	Propeller	Propeller	Propeller
No. Used/Diameter in. [mm]	1/24 [609.6]	1/24 [609.6]	1/24 [609.6]	1/24 [609.6]
Drive Type/No. Speeds	Direct/1	Direct/1	Direct/1	Direct/1
CFM [L/s]	4000 [1888]	4000 [1888]	4000 [1888]	4000 [1888]
No. Motors/HP	1 at 1/3 HP	1 at 1/3 HP	1 at 1/3 HP	1 at 1/3 HP
Motor RPM	1075	1075	1075	1075
Indoor Fan—Type	FC Centrifugal	FC Centrifugal	FC Centrifugal	FC Centrifugal
No. Used/Diameter in. [mm]	1/10x10 [254x254]	1/10x10 [254x254]	1/10x10 [254x254]	1/10x10 [254x254]
Drive Type/No. Speeds	Belt/Variable	Direct/3	Direct/3	Belt/Variable
No. Motors	1	1	1	1
Motor HP	3/4	1/2	1/2	1/2
Motor RPM	1725	1075	1075	1725
Motor Frame Size	56	48	48	56
Filter—Type	Disposable	Disposable	Disposable	Disposable
Furnished	Yes	Yes	Yes	Yes
(No.) Size Recommended in. [mm]	(2)1x25x16 [25x635x406]	(2)1x25x16 [25x635x406]	(2)1x25x16 [25x635x406]	(2)1x25x16 [25x635x406]
Refrigerant Charge Oz. [g]	120 [3402]	120 [3402]	187 [5301]	187 [5301]
Weights				
Net Weight lbs. [kg]	521 [236]	521 [236]	535 [243]	535 [243]
Ship Weight lbs. [kg]	536 [243]	536 [243]	550 [249]	550 [249]

See Page 23 for Notes.

[] Designates Metric Conversions



NOMINAL SIZES 3-5 TONS [10.6-17.6 kW]

Model RJNL- Series	A048CM	A048DK	A048DL	A048DM
Cooling Performance¹				CONTINUED →
Gross Cooling Capacity Btu [kW]	50,000 [14.65]	50,000 [14.65]	50,000 [14.65]	50,000 [14.65]
EER/SEER ²	11.2/13	11.2/13	11.2/13	11.2/13
Nominal CFM/AHRI Rated CFM [L/s]	1600/1600 [755/755]	1600/1600 [755/755]	1600/1600 [755/755]	1600/1600 [755/755]
AHRI Net Cooling Capacity Btu [kW]	47,500 [13.92]	47,500 [13.92]	47,500 [13.92]	47,500 [13.92]
Net Sensible Capacity Btu [kW]	35,700 [10.46]	35,700 [10.46]	35,700 [10.46]	35,700 [10.46]
Net Latent Capacity Btu [kW]	11,800 [3.46]	11,800 [3.46]	11,800 [3.46]	11,800 [3.46]
Net System Power kW	4.22	4.22	4.22	4.22
Heating Performance (Heat Pumps)				
Heating Temp. Btuh [kW] Rating	49,000 [14.36]	49,000 [14.36]	49,000 [14.36]	49,000 [14.36]
System Power KW/COP	3.93/3.6	3.93/3.6	3.93/3.6	3.93/3.6
Low Temp. Btuh [kW] Rating	29,000 [8.5]	29,000 [8.5]	29,000 [8.5]	29,000 [8.5]
System Power KW/COP	3.63/2.3	3.63/2.3	3.63/2.3	3.63/2.3
HSPF (Btu/Watts-hr)	7.7	7.7	7.7	7.7
Compressor				
No./Type	1/Scroll	1/Scroll	1/Scroll	1/Scroll
Outdoor Sound Rating (dB)³	83	83	83	83
Outdoor Coil—Fin Type	Louvered	Louvered	Louvered	Louvered
Tube Type	Rifled	Rifled	Rifled	Rifled
Tube Size in. [mm] OD	0.375 [9.5]	0.375 [9.5]	0.375 [9.5]	0.375 [9.5]
Face Area sq. ft. [sq. m]	16.56 [1.54]	16.56 [1.54]	16.56 [1.54]	16.56 [1.54]
Rows / FPI [FPcm]	2 / 22 [9]	2 / 22 [9]	2 / 22 [9]	2 / 22 [9]
Refrigerant Control	TX Valves	TX Valves	TX Valves	TX Valves
Indoor Coil—Fin Type	Louvered	Louvered	Louvered	Louvered
Tube Type	Rifled	Rifled	Rifled	Rifled
Tube Size in. [mm]	0.375 [9.5]	0.375 [9.5]	0.375 [9.5]	0.375 [9.5]
Face Area sq. ft. [sq. m]	5.16 [0.48]	5.16 [0.48]	5.16 [0.48]	5.16 [0.48]
Rows / FPI [FPcm]	4 / 13 [5]	4 / 13 [5]	4 / 13 [5]	4 / 13 [5]
Refrigerant Control	TX Valves	TX Valves	TX Valves	TX Valves
Drain Connection No./Size in. [mm]	1/1 [25.4]	1/1 [25.4]	1/1 [25.4]	1/1 [25.4]
Outdoor Fan—Type	Propeller	Propeller	Propeller	Propeller
No. Used/Diameter in. [mm]	1/24 [609.6]	1/24 [609.6]	1/24 [609.6]	1/24 [609.6]
Drive Type/No. Speeds	Direct/1	Direct/1	Direct/1	Direct/1
CFM [L/s]	4000 [1888]	4000 [1888]	4000 [1888]	4000 [1888]
No. Motors/HP	1 at 1/3 HP	1 at 1/3 HP	1 at 1/3 HP	1 at 1/3 HP
Motor RPM	1075	1075	1075	1075
Indoor Fan—Type	FC Centrifugal	FC Centrifugal	FC Centrifugal	FC Centrifugal
No. Used/Diameter in. [mm]	1/10x10 [254x254]	1/10x10 [254x254]	1/10x10 [254x254]	1/10x10 [254x254]
Drive Type/No. Speeds	Belt/Variable	Direct/3	Belt/Variable	Belt/Variable
No. Motors	1	1	1	1
Motor HP	3/4	1/2	1/2	3/4
Motor RPM	1725	1075	1725	1725
Motor Frame Size	56	48	56	56
Filter—Type	Disposable	Disposable	Disposable	Disposable
Furnished	Yes	Yes	Yes	Yes
(No.) Size Recommended in. [mm]	(2)1x25x16 [25x635x406]	(2)1x25x16 [25x635x406]	(2)1x25x16 [25x635x406]	(2)1x25x16 [25x635x406]
Refrigerant Charge Oz. [g]	187 [5301]	187 [5301]	187 [5301]	187 [5301]
Weights				
Net Weight lbs. [kg]	535 [243]	535 [243]	535 [243]	535 [243]
Ship Weight lbs. [kg]	550 [249]	550 [249]	550 [249]	550 [249]

See Page 23 for Notes.

[] Designates Metric Conversions



NOMINAL SIZES 3-5 TONS [10.6-17.6 kW]

Model RJNL- Series	A048JK	A060CK	A060CL	A060CM
Cooling Performance¹				CONTINUED →
Gross Cooling Capacity Btu [kW]	50,000 [14.65]	61,000 [17.87]	61,500 [18.02]	61,500 [18.02]
EER/SEER ²	11.2/13	11.5/13	11.5/13	11.5/13
Nominal CFM/AHRI Rated CFM [L/s]	1600/1600 [755/755]	2000/2000 [944/944]	2000/2000 [944/944]	2000/2000 [944/944]
AHRI Net Cooling Capacity Btu [kW]	47,500 [13.92]	59,000 [17.29]	59,000 [17.29]	59,000 [17.29]
Net Sensible Capacity Btu [kW]	35,700 [10.46]	44,050 [12.91]	44,050 [12.91]	44,050 [12.91]
Net Latent Capacity Btu [kW]	11,800 [3.46]	14,950 [4.38]	14,950 [4.38]	14,950 [4.38]
Net System Power kW	4.22	5.04	5.04	5.04
Heating Performance (Heat Pumps)				
Heating Temp. Btuh [kW] Rating	49,000 [14.36]	60,000 [17.58]	60,000 [17.58]	60,000 [17.58]
System Power KW/COP	3.93/3.6	4.78/3.6	4.78/3.6	4.78/3.6
Low Temp. Btuh [kW] Rating	29,000 [8.5]	35,800 [10.49]	35,800 [10.49]	35,800 [10.49]
System Power KW/COP	3.63/2.3	4.31/2.4	4.31/2.4	4.31/2.4
HSPF (Btu/Watts-hr)	7.7	7.7	7.7	7.7
Compressor				
No./Type	1/Scroll	1/Scroll	1/Scroll	1/Scroll
Outdoor Sound Rating (dB)³	83	83	83	83
Outdoor Coil—Fin Type	Louvered	Louvered	Louvered	Louvered
Tube Type	Rifled	Rifled	Rifled	Rifled
Tube Size in. [mm] OD	0.375 [9.5]	0.375 [9.5]	0.375 [9.5]	0.375 [9.5]
Face Area sq. ft. [sq. m]	16.56 [1.54]	16.56 [1.54]	16.56 [1.54]	16.56 [1.54]
Rows / FPI [FPcm]	2 / 22 [9]	2 / 22 [9]	2 / 22 [9]	2 / 22 [9]
Refrigerant Control	TX Valves	TX Valves	TX Valves	TX Valves
Indoor Coil—Fin Type	Louvered	Louvered	Louvered	Louvered
Tube Type	Rifled	Rifled	Rifled	Rifled
Tube Size in. [mm]	0.375 [9.5]	0.375 [9.5]	0.375 [9.5]	0.375 [9.5]
Face Area sq. ft. [sq. m]	5.16 [0.48]	5.16 [0.48]	5.16 [0.48]	5.16 [0.48]
Rows / FPI [FPcm]	4 / 13 [5]	4 / 13 [5]	4 / 13 [5]	4 / 13 [5]
Refrigerant Control	TX Valves	TX Valves	TX Valves	TX Valves
Drain Connection No./Size in. [mm]	1/1 [25.4]	1/1 [25.4]	1/1 [25.4]	1/1 [25.4]
Outdoor Fan—Type	Propeller	Propeller	Propeller	Propeller
No. Used/Diameter in. [mm]	1/24 [609.6]	1/24 [609.6]	1/24 [609.6]	1/24 [609.6]
Drive Type/No. Speeds	Direct/1	Direct/1	Direct/1	Direct/1
CFM [L/s]	4000 [1888]	4000 [1888]	4000 [1888]	4000 [1888]
No. Motors/HP	1 at 1/3 HP	1 at 1/3 HP	1 at 1/3 HP	1 at 1/3 HP
Motor RPM	1075	1075	1075	1075
Indoor Fan—Type	FC Centrifugal	FC Centrifugal	FC Centrifugal	FC Centrifugal
No. Used/Diameter in. [mm]	1/10x10 [254x254]	1/11x9 [279x229]	1/10x10 [254x254]	1/10x10 [254x254]
Drive Type/No. Speeds	Direct/3	Direct/2	Belt/Variable	Belt/Variable
No. Motors	1	1	1	1
Motor HP	1/2	1	3/4	1
Motor RPM	1075	1100	1725	1725
Motor Frame Size	48	48	56	56
Filter—Type	Disposable	Disposable	Disposable	Disposable
Furnished	Yes	Yes	Yes	Yes
(No.) Size Recommended in. [mm]	(2)1x25x16 [25x635x406]	(2)1x25x16 [25x635x406]	(2)1x25x16 [25x635x406]	(2)1x25x16 [25x635x406]
Refrigerant Charge Oz. [g]	187 [5301]	195 [5528]	195 [5528]	195 [5528]
Weights				
Net Weight lbs. [kg]	535 [243]	565 [256]	565 [256]	565 [256]
Ship Weight lbs. [kg]	550 [249]	580 [263]	580 [263]	580 [263]

See Page 23 for Notes.

[] Designates Metric Conversions



NOMINAL SIZES 3-5 TONS [10.6-17.6 kW]

Model RJNL- Series	A060DK	A060DL	A060DM	A060JK
Cooling Performance¹				CONTINUED →
Gross Cooling Capacity Btu [kW]	61,000 [17.87]	61,500 [18.02]	61,500 [18.02]	61,000 [17.87]
EER/SEER ²	11.5/13	11.5/13	11.5/13	11.5/13
Nominal CFM/ARI Rated CFM [L/s]	2000/2000 [944/944]	2000/2000 [944/944]	2000/2000 [944/944]	2000/2000 [944/944]
ARI Net Cooling Capacity Btu [kW]	59,000 [17.29]	59,000 [17.29]	59,000 [17.29]	59,000 [17.29]
Net Sensible Capacity Btu [kW]	44,050 [12.91]	44,050 [12.91]	44,050 [12.91]	44,050 [12.91]
Net Latent Capacity Btu [kW]	14,950 [4.38]	14,950 [4.38]	14,950 [4.38]	14,950 [4.38]
Net System Power kW	5.04	5.04	5.04	5.04
Heating Performance (Heat Pumps)				
Heating Temp. Btuh [kW] Rating	60,000 [17.58]	60,000 [17.58]	60,000 [17.58]	60,000 [17.58]
System Power KW/COP	4.78/3.6	4.78/3.6	4.78/3.6	4.78/3.6
Low Temp. Btuh [kW] Rating	35,800 [10.49]	35,800 [10.49]	35,800 [10.49]	35,800 [10.49]
System Power KW/COP	4.31/2.4	4.31/2.4	4.31/2.4	4.31/2.4
HSPF (Btu/Watts-hr)	7.7	7.7	7.7	7.7
Compressor				
No./Type	1/Scroll	1/Scroll	1/Scroll	1/Scroll
Outdoor Sound Rating (dB)³	83	83	83	83
Outdoor Coil—Fin Type	Louvered	Louvered	Louvered	Louvered
Tube Type	Rifled	Rifled	Rifled	Rifled
Tube Size in. [mm] OD	0.375 [9.5]	0.375 [9.5]	0.375 [9.5]	0.375 [9.5]
Face Area sq. ft. [sq. m]	16.56 [1.54]	16.56 [1.54]	16.56 [1.54]	16.56 [1.54]
Rows / FPI [FPcm]	2 / 22 [9]	2 / 22 [9]	2 / 22 [9]	2 / 22 [9]
Refrigerant Control	TX Valves	TX Valves	TX Valves	TX Valves
Indoor Coil—Fin Type	Louvered	Louvered	Louvered	Louvered
Tube Type	Rifled	Rifled	Rifled	Rifled
Tube Size in. [mm]	0.375 [9.5]	0.375 [9.5]	0.375 [9.5]	0.375 [9.5]
Face Area sq. ft. [sq. m]	5.16 [0.48]	5.16 [0.48]	5.16 [0.48]	5.16 [0.48]
Rows / FPI [FPcm]	4 / 13 [5]	4 / 13 [5]	4 / 13 [5]	4 / 13 [5]
Refrigerant Control	TX Valves	TX Valves	TX Valves	TX Valves
Drain Connection No./Size in. [mm]	1/1 [25.4]	1/1 [25.4]	1/1 [25.4]	1/1 [25.4]
Outdoor Fan—Type	Propeller	Propeller	Propeller	Propeller
No. Used/Diameter in. [mm]	1/24 [609.6]	1/24 [609.6]	1/24 [609.6]	1/24 [609.6]
Drive Type/No. Speeds	Direct/1	Direct/1	Direct/1	Direct/1
CFM [L/s]	4000 [1888]	4000 [1888]	4000 [1888]	4000 [1888]
No. Motors/HP	1 at 1/3 HP	1 at 1/3 HP	1 at 1/3 HP	1 at 1/3 HP
Motor RPM	1075	1075	1075	1075
Indoor Fan—Type	FC Centrifugal	FC Centrifugal	FC Centrifugal	FC Centrifugal
No. Used/Diameter in. [mm]	1/11x9 [279x229]	1/10x10 [254x254]	1/10x10 [254x254]	1/11x9 [279x229]
Drive Type/No. Speeds	Direct/2	Belt/Variable	Belt/Variable	Direct/2
No. Motors	1	1	1	1
Motor HP	1	3/4	1	1
Motor RPM	1100	1725	1725	1100
Motor Frame Size	48	56	56	48
Filter—Type	Disposable	Disposable	Disposable	Disposable
Furnished	Yes	Yes	Yes	Yes
(No.) Size Recommended in. [mm]	(2)1x25x16 [25x635x406]	(2)1x25x16 [25x635x406]	(2)1x25x16 [25x635x406]	(2)1x25x16 [25x635x406]
Refrigerant Charge Oz. [g]	197 [5584]	195 [5528]	195 [5528]	195 [5528]
Weights				
Net Weight lbs. [kg]	565 [256]	565 [256]	565 [256]	565 [256]
Ship Weight lbs. [kg]	580 [263]	580 [263]	580 [263]	580 [263]

See Page 23 for Notes.

[] Designates Metric Conversions



NOMINAL SIZES 3-5 TONS [10.6-17.6 kW]

Model RJNL- Series	A072CL	A072CM	A072DL	A072DM
Cooling Performance¹				CONTINUED →
Gross Cooling Capacity Btu [kW]	73,000 [21.39]	73,000 [21.39]	73,000 [21.39]	73,000 [21.39]
EER/SEER ²	11/NA	11/NA	11/NA	11/NA
Nominal CFM/ARI Rated CFM [L/s]	2400/2125 [1133/1003]	2400/2125 [1133/1003]	2400/2125 [1133/1003]	2400/2125 [1133/1003]
ARI Net Cooling Capacity Btu [kW]	70,000 [20.51]	70,000 [20.51]	70,000 [20.51]	70,000 [20.51]
Net Sensible Capacity Btu [kW]	50,700 [14.85]	50,700 [14.85]	50,700 [14.85]	50,700 [14.85]
Net Latent Capacity Btu [kW]	19,300 [5.65]	19,300 [5.65]	19,300 [5.65]	19,300 [5.65]
Net System Power kW	6.37	6.37	6.37	6.37
Heating Performance (Heat Pumps)				
Heating Temp. Btuh [kW] Rating	66,000 [19.92]	68,000 [19.92]	68,000 [19.92]	68,000 [19.92]
System Power KW/COP	5.22/2.3	5.79/3.44	5.79/3.44	5.79/3.44
Low Temp. Btuh [kW] Rating	41,000 [12.01]	41,000 [12.01]	41,000 [12.01]	41,000 [12.01]
System Power KW/COP	5.22/2.3	5.22/2.3	5.22/2.3	5.22/2.3
HSPF (Btu/Watts-hr)	N/A	N/A	N/A	N/A
Compressor				
No./Type	1/Scroll	1/Scroll	1/Scroll	1/Scroll
Outdoor Sound Rating (dB)³	83	83	83	83
Outdoor Coil—Fin Type	Louvered	Louvered	Louvered	Louvered
Tube Type	Rifled	Rifled	Rifled	Rifled
Tube Size in. [mm] OD	0.375 [9.5]	0.375 [9.5]	0.375 [9.5]	0.375 [9.5]
Face Area sq. ft. [sq. m]	16.56 [1.54]	16.56 [1.54]	16.56 [1.54]	16.56 [1.54]
Rows / FPI [FPcm]	2 / 22 [9]	2 / 22 [9]	2 / 22 [9]	2 / 22 [9]
Refrigerant Control	TX Valves	TX Valves	TX Valves	TX Valves
Indoor Coil—Fin Type	Louvered	Louvered	Louvered	Louvered
Tube Type	Rifled	Rifled	Rifled	Rifled
Tube Size in. [mm]	0.375 [9.5]	0.375 [9.5]	0.375 [9.5]	0.375 [9.5]
Face Area sq. ft. [sq. m]	6.5 [0.6]	6.5 [0.6]	6.5 [0.6]	6.5 [0.6]
Rows / FPI [FPcm]	4 / 13 [5]	4 / 13 [5]	4 / 13 [5]	4 / 13 [5]
Refrigerant Control	TX Valves	TX Valves	TX Valves	TX Valves
Drain Connection No./Size in. [mm]	1/1 [25.4]	1/1 [25.4]	1/1 [25.4]	1/1 [25.4]
Outdoor Fan—Type	Propeller	Propeller	Propeller	Propeller
No. Used/Diameter in. [mm]	1/24 [609.6]	1/24 [609.6]	1/24 [609.6]	1/24 [609.6]
Drive Type/No. Speeds	Direct/1	Direct/1	Direct/1	Direct/1
CFM [L/s]	4000 [1888]	4000 [1888]	4000 [1888]	4000 [1888]
No. Motors/HP	1 at 1/3 HP	1 at 1/3 HP	1 at 1/3 HP	1 at 1/3 HP
Motor RPM	1075	1075	1075	1075
Indoor Fan—Type	FC Centrifugal	FC Centrifugal	FC Centrifugal	FC Centrifugal
No. Used/Diameter in. [mm]	1/11x11 [279x279]	1/11x11 [279x279]	1/11x11 [279x279]	1/11x11 [279x279]
Drive Type/No. Speeds	Belt/Variable	Belt/Variable	Belt/Variable	Belt/Variable
No. Motors	1	1	1	1
Motor HP	1 1/2	1 1/2	1 1/2	1 1/2
Motor RPM	1725	1725	1725	1725
Motor Frame Size	56	56	56	56
Filter—Type	Disposable	Disposable	Disposable	Disposable
Furnished	Yes	Yes	Yes	Yes
(No.) Size Recommended in. [mm]	(4)1x16x16 [25x406x406]	(4)1x16x16 [25x406x406]	(4)1x16x16 [25x406x406]	(4)1x16x16 [25x406x406]
Refrigerant Charge Oz. [g]	221 [6265]	221 [6265]	221 [6265]	221 [6265]
Weights				
Net Weight lbs. [kg]	620 [281]	620 [281]	620 [281]	620 [281]
Ship Weight lbs. [kg]	635 [288]	635 [288]	635 [288]	635 [288]

See Page 23 for Notes.

[] Designates Metric Conversions

**NOMINAL SIZES 3-5 TONS [10.6-17.6 kW]**

Model RJNL- Series	A072YL
Cooling Performance¹	
Gross Cooling Capacity Btu [kW]	73,000 [21.39]
EER/SEER ²	11/NA
Nominal CFM/ARI Rated CFM [L/s]	2400/2125 [1133/1003]
ARI Net Cooling Capacity Btu [kW]	70,000 [20.51]
Net Sensible Capacity Btu [kW]	50,700 [14.85]
Net Latent Capacity Btu [kW]	19,300 [5.65]
Net System Power kW	6.37
Heating Performance (Heat Pumps)	
Heating Temp. Btuh [kW] Rating	68,000 [19.92]
System Power KW/COP	5.79/3.44
Low Temp. Btuh [kW] Rating	41,000 [12.01]
System Power KW/COP	5.22/2.3
HSPF (Btu/Watts-hr)	N/A
Compressor	
No./Type	1/Scroll
Outdoor Sound Rating (dB)³	
	83
Outdoor Coil—Fin Type	
Tube Type	Louvered
Tube Size in. [mm] OD	Rifled
Face Area sq. ft. [sq. m]	0.375 [9.5]
Rows / FPI [FPcm]	16.56 [1.54]
Refrigerant Control	2 / 22 [9]
	TX Valves
Indoor Coil—Fin Type	
Tube Type	Louvered
Tube Size in. [mm]	Rifled
Face Area sq. ft. [sq. m]	0.375 [9.5]
Rows / FPI [FPcm]	6.5 [0.6]
Refrigerant Control	4 / 13 [5]
	TX Valves
Drain Connection No./Size in. [mm]	1/1 [25.4]
Outdoor Fan—Type	
	Propeller
No. Used/Diameter in. [mm]	1/24 [609.6]
Drive Type/No. Speeds	Direct/1
CFM [L/s]	4000 [1888]
No. Motors/HP	1 at 1/3 HP
Motor RPM	1075
Indoor Fan—Type	
	FC Centrifugal
No. Used/Diameter in. [mm]	1/11x11 [279x279]
Drive Type/No. Speeds	Belt/Variable
No. Motors	1
Motor HP	1 1/2
Motor RPM	1725
Motor Frame Size	56
Filter—Type	
	Disposable
Furnished	Yes
(No.) Size Recommended in. [mm]	(4)1x16x16 [25x406x406]
Refrigerant Charge Oz. [g]	
	221 [6265]
Weights	
Net Weight lbs. [kg]	620 [281]
Ship Weight lbs. [kg]	635 [288]

See Page 23 for Notes.

[] Designates Metric Conversions



NOMINAL SIZES 3-5 TONS [10.6-17.6 kW]

Model RJPL- Series	A036CK	A036CL	A036CM	A036DK
Cooling Performance¹				
Gross Cooling Capacity Btu [kW]	37,800 [11.08]	38,500 [11.28]	38,500 [11.28]	37,800 [11.08]
EER/SEER ²	12/14	12/14	12/14	12/14
Nominal CFM/AHRI Rated CFM [L/s]	1200/1200 [566/566]	1200/1200 [566/566]	1200/1200 [566/566]	1200/1200 [566/566]
AHRI Net Cooling Capacity Btu [kW]	36,800 [10.78]	36,800 [10.78]	36,800 [10.78]	36,800 [10.78]
Net Sensible Capacity Btu [kW]	27,200 [7.97]	27,200 [7.97]	27,200 [7.97]	27,200 [7.97]
Net Latent Capacity Btu [kW]	9,600 [2.81]	9,600 [2.81]	9,600 [2.81]	9,600 [2.81]
Net System Power kW	2.99	2.99	2.99	2.99
Heating Performance (Heat Pumps)				
Heating Temp. Btuh [kW] Rating	33,600 [9.84]	33,600 [9.84]	33,600 [9.84]	33,600 [9.84]
System Power KW/COP	2.79/3.48	2.79/3.48	2.79/3.48	2.79/3.48
Low Temp. Btuh [kW] Rating	19,400 [5.68]	19,400 [5.68]	19,400 [5.68]	19,400 [5.68]
System Power KW/COP	2.56/2.22	2.56/2.22	2.56/2.22	2.56/2.22
HSPF (Btu/Watts-hr)	8	8	8	8
Compressor				
No./Type	1/Scroll	1/Scroll	1/Scroll	1/Scroll
Outdoor Sound Rating (dB)³				
	83	83	83	83
Outdoor Coil—Fin Type				
Tube Type	Louvered	Louvered	Louvered	Louvered
Tube Size in. [mm] OD	Rifled	Rifled	Rifled	Rifled
Tube Size in. [mm] OD	0.375 [9.5]	0.375 [9.5]	0.375 [9.5]	0.375 [9.5]
Face Area sq. ft. [sq. m]	16.89 [1.57]	16.89 [1.57]	16.89 [1.57]	16.89 [1.57]
Rows / FPI [FPcm]	1 / 22 [9]	1 / 22 [9]	1 / 22 [9]	1 / 22 [9]
Refrigerant Control	TX Valves	TX Valves	TX Valves	TX Valves
Indoor Coil—Fin Type				
Tube Type	Louvered	Louvered	Louvered	Louvered
Tube Type	Rifled	Rifled	Rifled	Rifled
Tube Size in. [mm]	0.375 [9.5]	0.375 [9.5]	0.375 [9.5]	0.375 [9.5]
Face Area sq. ft. [sq. m]	5.16 [0.48]	5.16 [0.48]	5.16 [0.48]	5.16 [0.48]
Rows / FPI [FPcm]	3 / 13 [5]	3 / 13 [5]	3 / 13 [5]	3 / 13 [5]
Refrigerant Control	TX Valves	TX Valves	TX Valves	TX Valves
Drain Connection No./Size in. [mm]	1/1 [25.4]	1/1 [25.4]	1/1 [25.4]	1/1 [25.4]
Outdoor Fan—Type				
Type	Propeller	Propeller	Propeller	Propeller
No. Used/Diameter in. [mm]	1/24 [609.6]	1/24 [609.6]	1/24 [609.6]	1/24 [609.6]
Drive Type/No. Speeds	Direct/1	Direct/1	Direct/1	Direct/1
CFM [L/s]	4000 [1888]	4000 [1888]	4000 [1888]	4000 [1888]
No. Motors/HP	1 at 1/3 HP	1 at 1/3 HP	1 at 1/3 HP	1 at 1/3 HP
Motor RPM	1075	1075	1075	1075
Indoor Fan—Type				
Type	FC Centrifugal	FC Centrifugal	FC Centrifugal	FC Centrifugal
No. Used/Diameter in. [mm]	1/10x10 [254x254]	1/10x10 [254x254]	1/10x10 [254x254]	1/10x10 [254x254]
Drive Type/No. Speeds	Direct/3	Belt/Variable	Belt/Variable	Direct/3
No. Motors	1	1	1	1
Motor HP	1/2	1/2	3/4	1/2
Motor RPM	1075	1725	1725	1075
Motor Frame Size	48	56	56	48
Filter—Type				
Type	Disposable	Disposable	Disposable	Disposable
Furnished	Yes	Yes	Yes	Yes
(No.) Size Recommended in. [mm]	(2)1x25x16 [25x635x406]	(2)1x25x16 [25x635x406]	(2)1x25x16 [25x635x406]	(2)1x25x16 [25x635x406]
Refrigerant Charge Oz. [g]				
	116 [3289]	116 [3289]	116 [3289]	116 [3289]
Weights				
Net Weight lbs. [kg]	517 [235]	517 [235]	517 [235]	517 [235]
Ship Weight lbs. [kg]	532 [241]	532 [241]	532 [241]	532 [241]

CONTINUED →

See Page 23 for Notes.

[] Designates Metric Conversions



NOMINAL SIZES 3-5 TONS [10.6-17.6 kW]

Model RJPL- Series	A036DL	A036DM	A036JK	A042CK
Cooling Performance¹				CONTINUED →
Gross Cooling Capacity Btu [kW]	38,500 [11.28]	38,500 [11.28]	37,800 [11.08]	43,500 [12.75]
EER/SEER ²	12/14	12/14	12/14	11.6/14
Nominal CFM/AHRI Rated CFM [L/s]	1200/1200 [566/566]	1200/1200 [566/566]	1200/1200 [566/566]	1400/1400 [661/661]
AHRI Net Cooling Capacity Btu [kW]	36,800 [10.78]	36,800 [10.78]	36,800 [10.78]	42,000 [12.31]
Net Sensible Capacity Btu [kW]	27,200 [7.97]	27,200 [7.97]	27,200 [7.97]	31,750 [9.3]
Net Latent Capacity Btu [kW]	9,600 [2.81]	9,600 [2.81]	9,600 [2.81]	10,250 [3]
Net System Power kW	2.99	2.99	2.99	3.64
Heating Performance (Heat Pumps)				
Heating Temp. Btuh [kW] Rating	33,600 [9.84]	33,600 [9.84]	33,600 [9.84]	40,000 [11.72]
System Power KW/COP	2.79/3.48	2.79/3.48	2.79/3.48	3.23/3.6
Low Temp. Btuh [kW] Rating	19,400 [5.68]	19,400 [5.68]	19,400 [5.68]	24,200 [7.09]
System Power KW/COP	2.56/2.22	2.56/2.22	2.56/2.22	2.94/2.4
HSPF (Btu/Watts-hr)	8	8	8	8
Compressor				
No./Type	1/Scroll	1/Scroll	1/Scroll	1/Scroll
Outdoor Sound Rating (dB)³	83	83	83	83
Outdoor Coil—Fin Type	Louvered	Louvered	Louvered	Louvered
Tube Type	Rifled	Rifled	Rifled	Rifled
Tube Size in. [mm] OD	0.375 [9.5]	0.375 [9.5]	0.375 [9.5]	0.375 [9.5]
Face Area sq. ft. [sq. m]	16.89 [1.57]	16.89 [1.57]	16.89 [1.57]	16.89 [1.57]
Rows / FPI [FPcm]	1 / 22 [9]	1 / 22 [9]	1 / 22 [9]	1 / 22 [9]
Refrigerant Control	TX Valves	TX Valves	TX Valves	TX Valves
Indoor Coil—Fin Type	Louvered	Louvered	Louvered	Louvered
Tube Type	Rifled	Rifled	Rifled	Rifled
Tube Size in. [mm]	0.375 [9.5]	0.375 [9.5]	0.375 [9.5]	0.375 [9.5]
Face Area sq. ft. [sq. m]	5.16 [0.48]	5.16 [0.48]	5.16 [0.48]	5.16 [0.48]
Rows / FPI [FPcm]	3 / 13 [5]	3 / 13 [5]	3 / 13 [5]	3 / 13 [5]
Refrigerant Control	TX Valves	TX Valves	TX Valves	TX Valves
Drain Connection No./Size in. [mm]	1/1 [25.4]	1/1 [25.4]	1/1 [25.4]	1/1 [25.4]
Outdoor Fan—Type	Propeller	Propeller	Propeller	Propeller
No. Used/Diameter in. [mm]	1/24 [609.6]	1/24 [609.6]	1/24 [609.6]	1/24 [609.6]
Drive Type/No. Speeds	Direct/1	Direct/1	Direct/1	Direct/1
CFM [L/s]	4000 [1888]	4000 [1888]	4000 [1888]	4000 [1888]
No. Motors/HP	1 at 1/3 HP	1 at 1/3 HP	1 at 1/3 HP	1 at 1/3 HP
Motor RPM	1075	1075	1075	1075
Indoor Fan—Type	FC Centrifugal	FC Centrifugal	FC Centrifugal	FC Centrifugal
No. Used/Diameter in. [mm]	1/10x10 [254x254]	1/10x10 [254x254]	1/10x10 [254x254]	1/10x10 [254x254]
Drive Type/No. Speeds	Belt/Variable	Belt/Variable	Direct/3	Direct/3
No. Motors	1	1	1	1
Motor HP	1/2	3/4	1/2	1/2
Motor RPM	1725	1725	1075	1075
Motor Frame Size	56	56	48	48
Filter—Type	Disposable	Disposable	Disposable	Disposable
Furnished	Yes	Yes	Yes	Yes
(No.) Size Recommended in. [mm]	(2)1x25x16 [25x635x406]	(2)1x25x16 [25x635x406]	(2)1x25x16 [25x635x406]	(2)1x25x16 [25x635x406]
Refrigerant Charge Oz. [g]	116 [3289]	116 [3289]	116 [3289]	120 [3402]
Weights				
Net Weight lbs. [kg]	517 [235]	517 [235]	517 [235]	521 [236]
Ship Weight lbs. [kg]	532 [241]	532 [241]	532 [241]	536 [243]

See Page 23 for Notes.

[] Designates Metric Conversions



NOMINAL SIZES 3-5 TONS [10.6-17.6 kW]

Model RJPL- Series	A042CL	A042CM	A042DK	A042DL
Cooling Performance¹				
	CONTINUED →			
Gross Cooling Capacity Btu [kW]	44,000 [12.89]	44,000 [12.89]	43,500 [12.75]	44,000 [12.89]
EER/SEER ²	11.6/14	11.6/14	11.6/14	11.6/14
Nominal CFM/AHRI Rated CFM [L/s]	1400/1400 [661/661]	1400/1400 [661/661]	1400/1400 [661/661]	1400/1400 [661/661]
AHRI Net Cooling Capacity Btu [kW]	42,000 [12.31]	42,000 [12.31]	42,000 [12.31]	42,000 [12.31]
Net Sensible Capacity Btu [kW]	31,750 [9.3]	31,750 [9.3]	31,750 [9.3]	31,750 [9.3]
Net Latent Capacity Btu [kW]	10,250 [3]	10,250 [3]	10,250 [3]	10,250 [3]
Net System Power kW	3.64	3.64	3.64	3.64
Heating Performance (Heat Pumps)				
Heating Temp. Btuh [kW] Rating	40,000 [11.72]	40,000 [11.72]	40,000 [11.72]	40,000 [11.72]
System Power KW/COP	3.23/3.6	3.23/3.6	3.23/3.6	3.23/3.6
Low Temp. Btuh [kW] Rating	24,200 [7.09]	24,200 [7.09]	24,200 [7.09]	24,200 [7.09]
System Power KW/COP	2.94/2.4	2.94/2.4	2.94/2.4	2.94/2.4
HSPF (Btu/Watts-hr)	8	8	8	8
Compressor				
No./Type	1/Scroll	1/Scroll	1/Scroll	1/Scroll
Outdoor Sound Rating (dB)³				
	83	83	83	83
Outdoor Coil—Fin Type				
Tube Type	Louvered	Louvered	Louvered	Louvered
Tube Size in. [mm] OD	Rifled	Rifled	Rifled	Rifled
Tube Size in. [mm] OD	0.375 [9.5]	0.375 [9.5]	0.375 [9.5]	0.375 [9.5]
Face Area sq. ft. [sq. m]	16.89 [1.57]	16.89 [1.57]	16.89 [1.57]	16.89 [1.57]
Rows / FPI [FPcm]	1 / 22 [9]	1 / 22 [9]	1 / 22 [9]	1 / 22 [9]
Refrigerant Control	TX Valves	TX Valves	TX Valves	TX Valves
Indoor Coil—Fin Type				
Tube Type	Louvered	Louvered	Louvered	Louvered
Tube Type	Rifled	Rifled	Rifled	Rifled
Tube Size in. [mm]	0.375 [9.5]	0.375 [9.5]	0.375 [9.5]	0.375 [9.5]
Face Area sq. ft. [sq. m]	5.16 [0.48]	5.16 [0.48]	5.16 [0.48]	5.16 [0.48]
Rows / FPI [FPcm]	3 / 13 [5]	3 / 13 [5]	3 / 13 [5]	3 / 13 [5]
Refrigerant Control	TX Valves	TX Valves	TX Valves	TX Valves
Drain Connection No./Size in. [mm]	1/1 [25.4]	1/1 [25.4]	1/1 [25.4]	1/1 [25.4]
Outdoor Fan—Type				
Type	Propeller	Propeller	Propeller	Propeller
No. Used/Diameter in. [mm]	1/24 [609.6]	1/24 [609.6]	1/24 [609.6]	1/24 [609.6]
Drive Type/No. Speeds	Direct/1	Direct/1	Direct/1	Direct/1
CFM [L/s]	4000 [1888]	4000 [1888]	4000 [1888]	4000 [1888]
No. Motors/HP	1 at 1/3 HP	1 at 1/3 HP	1 at 1/3 HP	1 at 1/3 HP
Motor RPM	1075	1075	1075	1075
Indoor Fan—Type				
Type	FC Centrifugal	FC Centrifugal	FC Centrifugal	FC Centrifugal
No. Used/Diameter in. [mm]	1/10x10 [254x254]	1/10x10 [254x254]	1/10x10 [254x254]	1/10x10 [254x254]
Drive Type/No. Speeds	Belt/Variable	Belt/Variable	Direct/3	Belt/Variable
No. Motors	1	1	1	1
Motor HP	1/2	3/4	1/2	1/2
Motor RPM	1725	1725	1075	1725
Motor Frame Size	56	56	48	56
Filter—Type				
Type	Disposable	Disposable	Disposable	Disposable
Furnished	Yes	Yes	Yes	Yes
(No.) Size Recommended in. [mm]	(2)1x25x16 [25x635x406]	(2)1x25x16 [25x635x406]	(2)1x25x16 [25x635x406]	(2)1x25x16 [25x635x406]
Refrigerant Charge Oz. [g]				
	120 [3402]	120 [3402]	120 [3402]	120 [3402]
Weights				
Net Weight lbs. [kg]	521 [236]	521 [236]	521 [236]	521 [236]
Ship Weight lbs. [kg]	536 [243]	536 [243]	536 [243]	536 [243]

See Page 23 for Notes.

[] Designates Metric Conversions



NOMINAL SIZES 3-5 TONS [10.6-17.6 kW]

Model RJPL- Series	A042DM	A042JK	A048CK	A048CL
Cooling Performance¹				CONTINUED →
Gross Cooling Capacity Btu [kW]	44,000 [12.89]	43,500 [12.75]	49,000 [14.36]	50,000 [14.65]
EER/SEER ²	11.6/14	11.6/14	11.6/14	11.6/14
Nominal CFM/AHRI Rated CFM [L/s]	1400/1400 [661/661]	1400/1400 [661/661]	1600/1600 [755/755]	1600/1600 [755/755]
AHRI Net Cooling Capacity Btu [kW]	42,000 [12.31]	42,000 [12.31]	47,500 [13.92]	47,500 [13.92]
Net Sensible Capacity Btu [kW]	31,750 [9.3]	31,750 [9.3]	36,200 [10.61]	36,200 [10.61]
Net Latent Capacity Btu [kW]	10,250 [3]	10,250 [3]	11,300 [3.31]	11,300 [3.31]
Net System Power kW	3.64	3.64	4.09	4.09
Heating Performance (Heat Pumps)				
Heating Temp. Btuh [kW] Rating	40,000 [11.72]	40,000 [11.72]	49,000 [14.36]	49,000 [14.36]
System Power KW/COP	3.23/3.6	3.23/3.6	3.76/3.8	3.76/3.8
Low Temp. Btuh [kW] Rating	24,200 [7.09]	24,200 [7.09]	29,800 [8.73]	29,800 [8.73]
System Power KW/COP	2.94/2.4	2.94/2.4	3.48/2.4	3.48/2.4
HSPF (Btu/Watts-hr)	8	8	8	8
Compressor				
No./Type	1/Scroll	1/Scroll	1/Scroll	1/Scroll
Outdoor Sound Rating (dB)³	83	83	83	83
Outdoor Coil—Fin Type	Louvered	Louvered	Louvered	Louvered
Tube Type	Rifled	Rifled	Rifled	Rifled
Tube Size in. [mm] OD	0.375 [9.5]	0.375 [9.5]	0.375 [9.5]	0.375 [9.5]
Face Area sq. ft. [sq. m]	16.89 [1.57]	16.89 [1.57]	16.56 [1.54]	16.56 [1.54]
Rows / FPI [FPcm]	1 / 22 [9]	1 / 22 [9]	2 / 22 [9]	2 / 22 [9]
Refrigerant Control	TX Valves	TX Valves	TX Valves	TX Valves
Indoor Coil—Fin Type	Louvered	Louvered	Louvered	Louvered
Tube Type	Rifled	Rifled	Rifled	Rifled
Tube Size in. [mm]	0.375 [9.5]	0.375 [9.5]	0.375 [9.5]	0.375 [9.5]
Face Area sq. ft. [sq. m]	5.16 [0.48]	5.16 [0.48]	5.16 [0.48]	5.16 [0.48]
Rows / FPI [FPcm]	3 / 13 [5]	3 / 13 [5]	4 / 13 [5]	4 / 13 [5]
Refrigerant Control	TX Valves	TX Valves	TX Valves	TX Valves
Drain Connection No./Size in. [mm]	1/1 [25.4]	1/1 [25.4]	1/1 [25.4]	1/1 [25.4]
Outdoor Fan—Type	Propeller	Propeller	Propeller	Propeller
No. Used/Diameter in. [mm]	1/24 [609.6]	1/24 [609.6]	1/24 [609.6]	1/24 [609.6]
Drive Type/No. Speeds	Direct/1	Direct/1	Direct/1	Direct/1
CFM [L/s]	4000 [1888]	4000 [1888]	4000 [1888]	4000 [1888]
No. Motors/HP	1 at 1/3 HP	1 at 1/3 HP	1 at 1/3 HP	1 at 1/3 HP
Motor RPM	1075	1075	1075	1075
Indoor Fan—Type	FC Centrifugal	FC Centrifugal	FC Centrifugal	FC Centrifugal
No. Used/Diameter in. [mm]	1/10x10 [254x254]	1/10x10 [254x254]	1/10x10 [254x254]	1/10x10 [254x254]
Drive Type/No. Speeds	Belt/Variable	Direct/3	Direct/3	Belt/Variable
No. Motors	1	1	1	1
Motor HP	3/4	1/2	1/2	1/2
Motor RPM	1725	1075	1075	1725
Motor Frame Size	56	48	48	56
Filter—Type	Disposable	Disposable	Disposable	Disposable
Furnished	Yes	Yes	Yes	Yes
(No.) Size Recommended in. [mm]	(2)1x25x16 [25x635x406]	(2)1x25x16 [25x635x406]	(2)1x25x16 [25x635x406]	(2)1x25x16 [25x635x406]
Refrigerant Charge Oz. [g]	120 [3402]	120 [3402]	187 [5301]	187 [5301]
Weights				
Net Weight lbs. [kg]	521 [236]	521 [236]	535 [243]	535 [243]
Ship Weight lbs. [kg]	536 [243]	536 [243]	550 [249]	550 [249]

See Page 23 for Notes.

[] Designates Metric Conversions



NOMINAL SIZES 3-5 TONS [10.6-17.6 kW]

Model RJPL- Series	A048CM	A048DK	A048DL	A048DM
Cooling Performance¹				CONTINUED →
Gross Cooling Capacity Btu [kW]	50,000 [14.65]	49,000 [14.36]	50,000 [14.65]	50,000 [14.65]
EER/SEER ²	11.6/14	11.6/14	11.6/14	11.6/14
Nominal CFM/AHRI Rated CFM [L/s]	1600/1600 [755/755]	1600/1600 [755/755]	1600/1600 [755/755]	1600/1600 [755/755]
AHRI Net Cooling Capacity Btu [kW]	47,500 [13.92]	47,500 [13.92]	47,500 [13.92]	47,500 [13.92]
Net Sensible Capacity Btu [kW]	36,200 [10.61]	36,200 [10.61]	36,200 [10.61]	36,200 [10.61]
Net Latent Capacity Btu [kW]	11,300 [3.31]	11,300 [3.31]	11,300 [3.31]	11,300 [3.31]
Net System Power kW	4.09	4.09	4.09	4.09
Heating Performance (Heat Pumps)				
Heating Temp. Btuh [kW] Rating	49,000 [14.36]	49,000 [14.36]	49,000 [14.36]	49,000 [14.36]
System Power KW/COP	3.76/3.8	3.76/3.8	3.76/3.8	3.76/3.8
Low Temp. Btuh [kW] Rating	29,800 [8.73]	29,800 [8.73]	29,800 [8.73]	29,800 [8.73]
System Power KW/COP	3.48/2.4	3.48/2.4	3.48/2.4	3.48/2.4
HSPF (Btu/Watts-hr)	8	8	8	8
Compressor				
No./Type	1/Scroll	1/Scroll	1/Scroll	1/Scroll
Outdoor Sound Rating (dB)³	83	83	83	83
Outdoor Coil—Fin Type	Louvered	Louvered	Louvered	Louvered
Tube Type	Rifled	Rifled	Rifled	Rifled
Tube Size in. [mm] OD	0.375 [9.5]	0.375 [9.5]	0.375 [9.5]	0.375 [9.5]
Face Area sq. ft. [sq. m]	16.56 [1.54]	16.56 [1.54]	16.56 [1.54]	16.56 [1.54]
Rows / FPI [FPcm]	2 / 22 [9]	2 / 22 [9]	2 / 22 [9]	2 / 22 [9]
Refrigerant Control	TX Valves	TX Valves	TX Valves	TX Valves
Indoor Coil—Fin Type	Louvered	Louvered	Louvered	Louvered
Tube Type	Rifled	Rifled	Rifled	Rifled
Tube Size in. [mm]	0.375 [9.5]	0.375 [9.5]	0.375 [9.5]	0.375 [9.5]
Face Area sq. ft. [sq. m]	5.16 [0.48]	5.16 [0.48]	5.16 [0.48]	5.16 [0.48]
Rows / FPI [FPcm]	4 / 13 [5]	4 / 13 [5]	4 / 13 [5]	4 / 13 [5]
Refrigerant Control	TX Valves	TX Valves	TX Valves	TX Valves
Drain Connection No./Size in. [mm]	1/1 [25.4]	1/1 [25.4]	1/1 [25.4]	1/1 [25.4]
Outdoor Fan—Type	Propeller	Propeller	Propeller	Propeller
No. Used/Diameter in. [mm]	1/24 [609.6]	1/24 [609.6]	1/24 [609.6]	1/24 [609.6]
Drive Type/No. Speeds	Direct/1	Direct/1	Direct/1	Direct/1
CFM [L/s]	4000 [1888]	4000 [1888]	4000 [1888]	4000 [1888]
No. Motors/HP	1 at 1/3 HP	1 at 1/3 HP	1 at 1/3 HP	1 at 1/3 HP
Motor RPM	1075	1075	1075	1075
Indoor Fan—Type	FC Centrifugal	FC Centrifugal	FC Centrifugal	FC Centrifugal
No. Used/Diameter in. [mm]	1/10x10 [254x254]	1/10x10 [254x254]	1/10x10 [254x254]	1/10x10 [254x254]
Drive Type/No. Speeds	Belt/Variable	Direct/3	Belt/Variable	Belt/Variable
No. Motors	1	1	1	1
Motor HP	3/4	1/2	1/2	3/4
Motor RPM	1725	1075	1725	1725
Motor Frame Size	56	48	56	56
Filter—Type	Disposable	Disposable	Disposable	Disposable
Furnished	Yes	Yes	Yes	Yes
(No.) Size Recommended in. [mm]	(2)1x25x16 [25x635x406]	(2)1x25x16 [25x635x406]	(2)1x25x16 [25x635x406]	(2)1x25x16 [25x635x406]
Refrigerant Charge Oz. [g]	187 [5301]	187 [5301]	187 [5301]	187 [5301]
Weights				
Net Weight lbs. [kg]	535 [243]	535 [243]	535 [243]	535 [243]
Ship Weight lbs. [kg]	550 [249]	550 [249]	550 [249]	550 [249]

See Page 23 for Notes.

[] Designates Metric Conversions



NOMINAL SIZES 3-5 TONS [10.6-17.6 kW]

Model RJPL- Series	A048JK	A060CK	A060CL	A060CM
Cooling Performance¹				CONTINUED →
Gross Cooling Capacity Btu [kW]	49,000 [14.36]	61,000 [17.87]	61,000 [17.87]	61,000 [17.87]
EER/SEER ²	11.6/14	11.7/14	11.7/14	11.7/14
Nominal CFM/AHRI Rated CFM [L/s]	1600/1600 [755/755]	2000/1850 [944/873]	2000/1850 [944/873]	2000/1850 [944/873]
AHRI Net Cooling Capacity Btu [kW]	47,500 [13.92]	59,500 [17.43]	59,500 [17.43]	59,500 [17.43]
Net Sensible Capacity Btu [kW]	36,200 [10.61]	43,600 [12.77]	43,600 [12.77]	43,600 [12.77]
Net Latent Capacity Btu [kW]	11,300 [3.31]	15,900 [4.66]	15,900 [4.66]	15,900 [4.66]
Net System Power kW	4.09	5.05	5.05	5.05
Heating Performance (Heat Pumps)				
Heating Temp. Btuh [kW] Rating	49,000 [14.36]	59,500 [17.43]	59,500 [17.43]	59,500 [17.43]
System Power KW/COP	3.76/3.8	4.8/3.6	4.8/3.6	4.8/3.6
Low Temp. Btuh [kW] Rating	29,800 [8.73]	36,400 [10.67]	36,400 [10.67]	36,400 [10.67]
System Power KW/COP	3.48/2.4	4.47/2.2	4.47/2.2	4.47/2.2
HSPF (Btu/Watts-hr)	8	8	8	8
Compressor				
No./Type	1/Scroll	1/Scroll	1/Scroll	1/Scroll
Outdoor Sound Rating (dB)³	83	83	83	83
Outdoor Coil—Fin Type	Louvered	Louvered	Louvered	Louvered
Tube Type	Rifled	Rifled	Rifled	Rifled
Tube Size in. [mm] OD	0.375 [9.5]	0.375 [9.5]	0.375 [9.5]	0.375 [9.5]
Face Area sq. ft. [sq. m]	16.56 [1.54]	16.56 [1.54]	16.56 [1.54]	16.56 [1.54]
Rows / FPI [FPcm]	2 / 22 [9]	2 / 22 [9]	2 / 22 [9]	2 / 22 [9]
Refrigerant Control	TX Valves	TX Valves	TX Valves	TX Valves
Indoor Coil—Fin Type	Louvered	Louvered	Louvered	Louvered
Tube Type	Rifled	Rifled	Rifled	Rifled
Tube Size in. [mm]	0.375 [9.5]	0.375 [9.5]	0.375 [9.5]	0.375 [9.5]
Face Area sq. ft. [sq. m]	5.16 [0.48]	5.16 [0.48]	5.16 [0.48]	5.16 [0.48]
Rows / FPI [FPcm]	4 / 13 [5]	4 / 13 [5]	4 / 13 [5]	4 / 13 [5]
Refrigerant Control	TX Valves	TX Valves	TX Valves	TX Valves
Drain Connection No./Size in. [mm]	1/1 [25.4]	1/1 [25.4]	1/1 [25.4]	1/1 [25.4]
Outdoor Fan—Type	Propeller	Propeller	Propeller	Propeller
No. Used/Diameter in. [mm]	1/24 [609.6]	1/24 [609.6]	1/24 [609.6]	1/24 [609.6]
Drive Type/No. Speeds	Direct/1	Direct/1	Direct/1	Direct/1
CFM [L/s]	4000 [1888]	4000 [1888]	4000 [1888]	4000 [1888]
No. Motors/HP	1 at 1/3 HP	1 at 1/3 HP	1 at 1/3 HP	1 at 1/3 HP
Motor RPM	1075	1075	1075	1075
Indoor Fan—Type	FC Centrifugal	FC Centrifugal	FC Centrifugal	FC Centrifugal
No. Used/Diameter in. [mm]	1/10x10 [254x254]	1/11x9 [279x229]	1/10x10 [254x254]	1/10x10 [254x254]
Drive Type/No. Speeds	Direct/3	Direct/2	Belt/Variable	Belt/Variable
No. Motors	1	1	1	1
Motor HP	1/2	1	3/4	1
Motor RPM	1075	1100	1725	1725
Motor Frame Size	48	48	56	56
Filter—Type	Disposable	Disposable	Disposable	Disposable
Furnished	Yes	Yes	Yes	Yes
(No.) Size Recommended in. [mm]	(2)1x25x16 [25x635x406]	(2)1x25x16 [25x635x406]	(2)1x25x16 [25x635x406]	(2)1x25x16 [25x635x406]
Refrigerant Charge Oz. [g]	187 [5301]	195 [5528]	195 [5528]	197 [5585]
Weights				
Net Weight lbs. [kg]	535 [243]	565 [256]	565 [256]	565 [256]
Ship Weight lbs. [kg]	550 [249]	580 [263]	580 [263]	580 [263]

See Page 23 for Notes.

[] Designates Metric Conversions



NOMINAL SIZES 3-5 TONS [10.6-17.6 kW]

Model RJPL- Series	A060DK	A060DL	A060DM	A060JK
Cooling Performance¹				
Gross Cooling Capacity Btu [kW]	61,000 [17.87]	61,000 [17.87]	61,000 [17.87]	61,000 [17.87]
EER/SEER ²	11.7/14	11.7/14	11.7/14	11.7/14
Nominal CFM/AHRI Rated CFM [L/s]	2000/1850 [944/873]	2000/1850 [944/873]	2000/1850 [944/873]	2000/1850 [944/873]
AHRI Net Cooling Capacity Btu [kW]	59,500 [17.43]	59,500 [17.43]	59,500 [17.43]	59,500 [17.43]
Net Sensible Capacity Btu [kW]	43,600 [12.77]	43,600 [12.77]	43,600 [12.77]	43,600 [12.77]
Net Latent Capacity Btu [kW]	15,900 [4.66]	15,900 [4.66]	15,900 [4.66]	15,900 [4.66]
Net System Power kW	5.05	5.05	5.05	5.05
Heating Performance (Heat Pumps)				
Heating Temp. Btuh [kW] Rating	59,500 [17.43]	59,500 [17.43]	59,500 [17.43]	59,500 [17.43]
System Power KW/COP	4.8/3.6	4.8/3.6	4.8/3.6	4.8/3.6
Low Temp. Btuh [kW] Rating	36,400 [10.67]	36,400 [10.67]	36,400 [10.67]	36,400 [10.67]
System Power KW/COP	4.47/2.2	4.47/2.2	4.47/2.2	4.47/2.2
HSPF (Btu/Watts-hr)	8	8	8	8
Compressor				
No./Type	1/Scroll	1/Scroll	1/Scroll	1/Scroll
Outdoor Sound Rating (dB)³				
	83	83	83	83
Outdoor Coil—Fin Type				
Tube Type	Louvered	Louvered	Louvered	Louvered
Tube Size in. [mm] OD	Rifled	Rifled	Rifled	Rifled
Tube Size in. [mm] OD	0.375 [9.5]	0.375 [9.5]	0.375 [9.5]	0.375 [9.5]
Face Area sq. ft. [sq. m]	16.56 [1.54]	16.56 [1.54]	16.56 [1.54]	16.56 [1.54]
Rows / FPI [FPcm]	2 / 22 [9]	2 / 22 [9]	2 / 22 [9]	2 / 22 [9]
Refrigerant Control	TX Valves	TX Valves	TX Valves	TX Valves
Indoor Coil—Fin Type				
Tube Type	Louvered	Louvered	Louvered	Louvered
Tube Type	Rifled	Rifled	Rifled	Rifled
Tube Size in. [mm]	0.375 [9.5]	0.375 [9.5]	0.375 [9.5]	0.375 [9.5]
Face Area sq. ft. [sq. m]	5.16 [0.48]	5.16 [0.48]	5.16 [0.48]	5.16 [0.48]
Rows / FPI [FPcm]	4 / 13 [5]	4 / 13 [5]	4 / 13 [5]	4 / 13 [5]
Refrigerant Control	TX Valves	TX Valves	TX Valves	TX Valves
Drain Connection No./Size in. [mm]	1/1 [25.4]	1/1 [25.4]	1/1 [25.4]	1/1 [25.4]
Outdoor Fan—Type				
Type	Propeller	Propeller	Propeller	Propeller
No. Used/Diameter in. [mm]	1/24 [609.6]	1/24 [609.6]	1/24 [609.6]	1/24 [609.6]
Drive Type/No. Speeds	Direct/1	Direct/1	Direct/1	Direct/1
CFM [L/s]	4000 [1888]	4000 [1888]	4000 [1888]	4000 [1888]
No. Motors/HP	1 at 1/3 HP	1 at 1/3 HP	1 at 1/3 HP	1 at 1/3 HP
Motor RPM	1075	1075	1075	1075
Indoor Fan—Type				
Type	FC Centrifugal	FC Centrifugal	FC Centrifugal	FC Centrifugal
No. Used/Diameter in. [mm]	1/11x9 [279x229]	1/10x10 [254x254]	1/10x10 [254x254]	1/11x9 [279x229]
Drive Type/No. Speeds	Direct/2	Belt/Variable	Belt/Variable	Direct/2
No. Motors	1	1	1	1
Motor HP	1	3/4	1	1
Motor RPM	1100	1725	1725	1100
Motor Frame Size	48	56	56	48
Filter—Type				
Type	Disposable	Disposable	Disposable	Disposable
Furnished	Yes	Yes	Yes	Yes
(No.) Size Recommended in. [mm]	(2)1x25x16 [25x635x406]	(2)1x25x16 [25x635x406]	(2)1x25x16 [25x635x406]	(2)1x25x16 [25x635x406]
Refrigerant Charge Oz. [g]				
	197 [5585]	195 [5528]	197 [5585]	197 [5585]
Weights				
Net Weight lbs. [kg]	565 [256]	565 [256]	565 [256]	565 [256]
Ship Weight lbs. [kg]	580 [263]	580 [263]	580 [263]	580 [263]

See Page 23 for Notes.

[] Designates Metric Conversions



NOTES:

1. Cooling Performance is rated at 95° F ambient, 80° F entering dry bulb, 67° F entering wet bulb. Gross capacity does not include the effect of fan motor heat. AHRI capacity is net and includes the effect of fan motor heat. Units are suitable for operation to $\pm 20\%$ of nominal cfm. Units are certified in accordance with the Unitary Air Conditioner Equipment certification program, which is based on AHRI Standard 210/240 or 360.
2. EER and/or SEER are rated at AHRI conditions and in accordance with DOE test procedures.
3. Outdoor Sound Rating shown is tested in accordance with AHRI Standard 270.

SYSTEMS PERFORMANCE—RJNL- SERIES



COOLING PERFORMANCE DATA—RJNL-A036

		ENTERING INDOOR AIR @ 80°F [26.7°C] dbE ①									
		71°F [21.7°C]			67°F [19.4°C]			63°F [17.2°C]			
wbE		1440 [680]	1200 [566]	960 [453]	1440 [680]	1200 [566]	960 [453]	1440 [680]	1200 [566]	960 [453]	
CFM [L/s]		1440 [680]	1200 [566]	960 [453]	1440 [680]	1200 [566]	960 [453]	1440 [680]	1200 [566]	960 [453]	
DR ①		.16	.13	.08	.16	.13	.08	.16	.13	.08	
OUTDOOR DRY BULB TEMPERATURE °F [°C]	75 [23.9]	Total BTUH [kW] Sens BTUH [kW] Power	46.4 [13.60] 27.9 [8.18] 2.2	44.7 [13.10] 25.5 [7.47] 2.1	43.1 [12.63] 23.1 [6.77] 2.1	44.0 [12.90] 33.7 [9.88] 2.1	42.4 [12.43] 30.8 [9.03] 2.1	40.9 [11.99] 27.9 [8.18] 2.1	41.5 [12.16] 38.4 [11.25] 2.1	40.1 [11.75] 35.2 [10.32] 2.1	38.6 [11.31] 31.9 [9.35] 2.1
	80 [26.7]	Total BTUH [kW] Sens BTUH [kW] Power	45.5 [13.33] 27.2 [7.97] 2.3	43.9 [12.87] 24.9 [7.30] 2.2	42.3 [12.40] 22.6 [6.62] 2.2	43.1 [12.63] 33.0 [9.67] 2.3	41.6 [12.19] 30.2 [8.85] 2.2	40.0 [11.72] 27.4 [8.03] 2.2	40.6 [11.90] 37.7 [11.05] 2.3	39.2 [11.49] 34.6 [10.14] 2.2	37.8 [11.08] 31.3 [9.17] 2.2
	85 [29.4]	Total BTUH [kW] Sens BTUH [kW] Power	44.3 [12.98] 26.6 [7.80] 2.4	42.8 [12.54] 24.4 [7.15] 2.4	41.2 [12.07] 22.1 [6.48] 2.3	41.9 [12.28] 32.4 [9.50] 2.4	40.5 [11.87] 29.7 [8.70] 2.4	39.0 [11.43] 26.9 [7.88] 2.3	39.5 [11.58] 37.3 [10.93] 2.4	38.1 [11.17] 34.0 [9.96] 2.4	36.7 [10.76] 30.9 [9.06] 2.3
	90 [32.2]	Total BTUH [kW] Sens BTUH [kW] Power	43.0 [12.60] 26.1 [7.65] 2.5	41.5 [12.16] 23.9 [7.00] 2.5	40.0 [11.72] 21.6 [6.33] 2.5	40.6 [11.90] 31.9 [9.35] 2.5	39.2 [11.49] 29.1 [8.53] 2.5	37.8 [11.08] 26.4 [7.74] 2.5	38.2 [11.20] 36.8 [10.79] 2.5	36.9 [10.81] 33.5 [9.82] 2.5	35.5 [10.40] 30.4 [8.91] 2.4
	95 [35]	Total BTUH [kW] Sens BTUH [kW] Power	41.6 [12.19] 25.5 [7.47] 2.7	40.2 [11.78] 23.4 [6.86] 2.6	38.7 [11.34] 21.2 [6.21] 2.6	39.2 [11.49] 31.3 [9.17] 2.7	37.8 [11.08] 28.6 [8.38] 2.6	36.5 [10.70] 26.0 [7.62] 2.6	36.8 [10.79] 36.0 [10.55] 2.7	35.5 [10.40] 33.0 [9.67] 2.6	34.2 [10.02] 29.9 [8.76] 2.6
	100 [37.8]	Total BTUH [kW] Sens BTUH [kW] Power	40.1 [11.75] 24.9 [7.30] 2.8	38.7 [11.34] 22.8 [6.68] 2.8	37.3 [10.93] 20.7 [6.07] 2.7	37.7 [11.05] 30.7 [9.00] 2.8	36.4 [10.67] 28.1 [8.24] 2.7	35.1 [10.29] 25.5 [7.47] 2.7	35.3 [10.35] 35.3 [10.35] 2.8	34.1 [9.99] 32.5 [9.52] 2.7	32.8 [9.61] 29.4 [8.62] 2.7
	105 [40.6]	Total BTUH [kW] Sens BTUH [kW] Power	38.6 [11.31] 24.3 [7.12] 2.9	37.3 [10.93] 22.2 [6.51] 2.9	35.9 [10.52] 20.1 [5.89] 2.8	36.2 [10.61] 30.1 [8.82] 2.9	35.0 [10.26] 27.5 [8.06] 2.9	33.7 [9.88] 24.9 [7.30] 2.8	33.8 [9.91] 33.8 [9.91] 2.9	32.6 [9.55] 31.9 [9.35] 2.9	31.4 [9.20] 28.9 [8.47] 2.8
	110 [43.3]	Total BTUH [kW] Sens BTUH [kW] Power	37.2 [10.90] 23.5 [6.89] 3.1	35.9 [10.52] 21.5 [6.30] 3.0	34.6 [10.14] 19.5 [5.71] 3.0	34.8 [10.20] 29.3 [8.59] 3.1	33.6 [9.85] 26.8 [7.85] 3.0	32.3 [9.47] 24.3 [7.12] 3.0	32.3 [9.47] 32.3 [9.47] 3.0	31.2 [9.14] 31.2 [9.14] 3.0	30.1 [8.82] 28.3 [8.29] 2.9
	115 [46.1]	Total BTUH [kW] Sens BTUH [kW] Power	35.8 [10.49] 22.7 [6.65] 3.2	34.6 [10.14] 20.7 [6.07] 3.1	33.3 [9.76] 18.8 [5.51] 3.1	33.4 [9.79] 28.4 [8.32] 3.2	32.2 [9.44] 26.0 [7.62] 3.1	31.1 [9.11] 23.6 [6.92] 3.1	31.0 [9.09] 31.0 [9.09] 3.2	29.9 [8.76] 29.9 [8.76] 3.1	28.8 [8.44] 27.6 [8.09] 3.1

DR —Depression ratio
dbE—Entering air dry bulb
wbE—Entering air wet bulb

Total —Total capacity x 1000 BTUH
Sens —Sensible capacity x 1000 BTUH
Power—KW input

NOTES:

① When the entering air dry bulb is other than 80°F [27°C], adjust the sensible capacity from the table by adding [1.10 x CFM x (1 - DR) x (dbE - 80)].

HEATING PERFORMANCE DATA—RJNL-A036

		60°F [15.5°C]			70°F [21.1°C]			80°F [26.7°C]			
IDB		1440 [680]	1200 [566]	960 [453]	1440 [680]	1200 [566]	960 [453]	1440 [680]	1200 [566]	960 [453]	
CFM [L/s]		1440 [680]	1200 [566]	960 [453]	1440 [680]	1200 [566]	960 [453]	1440 [680]	1200 [566]	960 [453]	
OUTDOOR DRY BULB TEMPERATURE °F [°C]	0 [-17.8]	Total BTUH [kW] Power	11.0 [3.22] 1.8	10.8 [3.17] 1.8	10.7 [3.14] 1.9	9.8 [2.87] 2.0	9.7 [2.84] 2.1	9.6 [2.81] 2.2	8.4 [2.46] 2.3	8.3 [2.43] 2.4	8.2 [2.40] 2.4
	5 [26.7]	Total BTUH [kW] Power	13.4 [3.93] 1.8	13.2 [3.87] 1.9	13.0 [3.81] 1.9	12.3 [3.60] 2.1	12.1 [3.55] 2.1	11.9 [3.49] 2.2	10.8 [3.17] 2.3	10.7 [3.14] 2.4	10.5 [3.08] 2.5
	10 [-12.2]	Total BTUH [kW] Power	15.9 [4.66] 1.9	15.6 [4.57] 1.9	15.4 [4.51] 2.0	14.7 [4.31] 2.1	14.5 [4.25] 2.2	14.3 [4.19] 2.2	13.3 [3.90] 2.4	13.1 [3.84] 2.4	12.9 [3.78] 2.5
	15 [32.2]	Total BTUH [kW] Power	18.3 [5.36] 1.9	18.1 [5.30] 2.0	17.8 [5.22] 2.0	17.2 [5.04] 2.2	17.0 [4.98] 2.2	16.7 [4.89] 2.3	15.8 [4.63] 2.4	15.5 [4.54] 2.5	15.3 [4.48] 2.5
	20 [-6.6]	Total BTUH [kW] Power	20.8 [6.10] 1.9	20.5 [6.01] 2.0	20.2 [5.92] 2.0	19.7 [5.77] 2.2	19.4 [5.69] 2.3	19.1 [5.60] 2.3	18.2 [5.33] 2.4	18.0 [5.28] 2.5	17.7 [5.19] 2.6
	25 [37.8]	Total BTUH [kW] Power	23.3 [6.83] 2.0	23.0 [6.74] 2.0	22.6 [6.62] 2.1	22.2 [6.51] 2.2	21.9 [6.42] 2.3	21.6 [6.33] 2.4	20.7 [6.07] 2.5	20.4 [5.98] 2.5	20.2 [5.92] 2.6
	30 [-1.1]	Total BTUH [kW] Power	25.8 [7.56] 2.0	25.4 [7.44] 2.1	25.1 [7.36] 2.1	24.7 [7.24] 2.3	24.3 [7.12] 2.3	24.0 [7.03] 2.4	23.2 [6.80] 2.5	22.9 [6.71] 2.6	22.6 [6.62] 2.7
	35 [43.3]	Total BTUH [kW] Power	28.3 [8.29] 2.1	27.9 [8.18] 2.1	27.5 [8.06] 2.2	27.2 [7.97] 2.3	26.8 [7.85] 2.4	26.4 [7.74] 2.4	25.7 [7.53] 2.6	25.4 [7.44] 2.6	25.0 [7.33] 2.7
	40 [4.4]	Total BTUH [kW] Power	30.8 [9.03] 2.1	30.4 [8.91] 2.1	30.0 [8.79] 2.2	29.7 [8.70] 2.3	29.3 [8.59] 2.4	28.9 [8.47] 2.5	28.2 [8.26] 2.6	27.9 [8.18] 2.7	27.5 [8.06] 2.7
	45 [46.1]	Total BTUH [kW] Power	33.3 [9.76] 2.1	32.9 [9.64] 2.2	32.4 [9.50] 2.2	32.2 [9.44] 2.4	31.8 [9.32] 2.4	31.3 [9.17] 2.5	30.8 [9.03] 2.6	30.3 [8.88] 2.7	29.9 [8.76] 2.8
50 [10]	Total BTUH [kW] Power	35.9 [10.52] 2.2	35.4 [10.37] 2.2	34.9 [10.23] 2.3	34.8 [10.20] 2.4	34.3 [10.05] 2.5	33.8 [9.91] 2.5	33.3 [9.76] 2.7	32.8 [9.61] 2.7	32.4 [9.50] 2.8	

IDB—Indoor air dry bulb

[] Designates Metric Conversions



COOLING PERFORMANCE DATA—RJNL-A042

		ENTERING INDOOR AIR @ 80°F [26.7°C] dbE ①									
		71°F [21.7°C]			67°F [19.4°C]			63°F [17.2°C]			
		1680 [793]	1400 [661]	1120 [529]	1680 [793]	1400 [661]	1120 [529]	1680 [793]	1400 [661]	1120 [529]	
		CFM [L/s]	DR ①	DR ①	DR ①	DR ①	DR ①	DR ①	DR ①	DR ①	
OUTDOOR DRY BULB TEMPERATURE °F [°C]	75 [23.9]	Total BTUH [kW] Sens BTUH [kW] Power	54.9 [16.09] 32.7 [9.58] 2.5	53.0 [15.53] 29.9 [8.76] 2.5	51.1 [14.98] 27.1 [7.94] 2.4	51.6 [15.12] 39.2 [11.49] 2.5	49.8 [14.59] 35.9 [10.52] 2.5	47.9 [14.04] 32.5 [9.52] 2.5	49.2 [14.42] 45.3 [13.28] 2.5	47.5 [13.92] 41.5 [12.16] 2.5	45.8 [13.42] 37.6 [11.02] 2.5
	80 [26.7]	Total BTUH [kW] Sens BTUH [kW] Power	53.6 [15.71] 32.0 [9.38] 2.7	51.7 [15.15] 29.3 [8.59] 2.6	49.8 [14.59] 26.5 [7.77] 2.6	50.2 [14.71] 38.5 [11.28] 2.7	48.5 [14.21] 35.2 [10.32] 2.7	46.7 [13.69] 31.9 [9.35] 2.6	47.9 [14.04] 44.6 [13.07] 2.7	46.2 [13.54] 40.8 [11.96] 2.7	44.5 [13.04] 37.0 [10.84] 2.6
	85 [29.4]	Total BTUH [kW] Sens BTUH [kW] Power	52.1 [15.27] 31.3 [9.17] 2.9	50.3 [14.74] 28.6 [8.38] 2.8	48.4 [14.18] 25.9 [7.59] 2.8	48.8 [14.30] 37.8 [11.08] 2.9	47.1 [13.80] 34.5 [10.11] 2.8	45.3 [13.28] 31.3 [9.17] 2.8	46.4 [13.60] 43.9 [12.87] 2.9	44.8 [13.13] 40.1 [11.75] 2.8	43.2 [12.66] 36.4 [10.67] 2.8
	90 [32.2]	Total BTUH [kW] Sens BTUH [kW] Power	50.5 [14.80] 30.5 [8.94] 3.0	48.8 [14.30] 27.9 [8.18] 3.0	47.0 [13.77] 25.3 [7.41] 2.9	47.2 [13.83] 37.0 [10.84] 3.0	45.5 [13.33] 33.9 [9.94] 3.0	43.9 [12.87] 30.7 [9.00] 2.9	44.8 [13.13] 43.1 [12.63] 3.1	43.3 [12.69] 39.4 [11.55] 3.0	41.7 [12.22] 35.8 [10.49] 3.0
	95 [35]	Total BTUH [kW] Sens BTUH [kW] Power	48.9 [14.33] 29.8 [8.73] 3.2	47.2 [13.83] 27.2 [7.97] 3.1	45.5 [13.33] 24.7 [7.24] 3.1	45.6 [13.36] 36.3 [10.64] 3.2	44.0 [12.90] 33.2 [9.73] 3.2	42.4 [12.43] 30.1 [8.82] 3.1	43.2 [12.66] 42.5 [12.46] 3.2	41.7 [12.22] 38.8 [11.37] 3.2	40.2 [11.78] 35.1 [10.29] 3.1
	100 [37.8]	Total BTUH [kW] Sens BTUH [kW] Power	47.3 [13.86] 29.0 [8.50] 3.4	45.6 [13.36] 26.5 [7.77] 3.3	44.0 [12.90] 24.1 [7.06] 3.2	43.9 [12.87] 35.5 [10.40] 3.4	42.4 [12.43] 32.5 [9.52] 3.3	40.9 [11.99] 29.4 [8.62] 3.3	41.6 [12.19] 41.4 [12.13] 3.4	40.1 [11.75] 38.0 [11.14] 3.3	38.7 [11.34] 34.5 [10.11] 3.3
	105 [40.6]	Total BTUH [kW] Sens BTUH [kW] Power	45.7 [13.39] 28.2 [8.26] 3.5	44.1 [12.92] 25.8 [7.56] 3.5	42.5 [12.46] 23.4 [6.86] 3.4	42.3 [12.40] 34.7 [10.17] 3.6	40.9 [11.99] 31.8 [9.32] 3.5	39.4 [11.55] 28.8 [8.44] 3.4	40.0 [11.72] 40.0 [11.72] 3.6	38.6 [11.31] 37.3 [10.93] 3.5	37.2 [10.90] 33.8 [9.91] 3.4
	110 [43.3]	Total BTUH [kW] Sens BTUH [kW] Power	44.2 [12.95] 27.4 [8.03] 3.7	42.6 [12.48] 25.0 [7.33] 3.6	41.1 [12.05] 22.7 [6.65] 3.6	40.8 [11.96] 33.9 [9.94] 3.7	39.4 [11.55] 31.0 [9.09] 3.7	38.0 [11.14] 28.1 [8.24] 3.6	38.5 [11.28] 38.5 [11.28] 3.7	37.1 [10.87] 36.6 [10.73] 3.7	35.8 [10.49] 33.1 [9.70] 3.6
	115 [46.1]	Total BTUH [kW] Sens BTUH [kW] Power	42.7 [12.51] 26.5 [7.77] 3.9	41.2 [12.07] 24.2 [7.09] 3.8	39.7 [11.63] 22.0 [6.45] 3.7	39.4 [11.55] 33.0 [9.67] 3.9	38.0 [11.14] 30.2 [8.85] 3.8	36.6 [10.73] 27.4 [8.03] 3.8	37.0 [10.84] 37.0 [10.84] 3.9	35.7 [10.46] 35.7 [10.46] 3.8	34.4 [10.08] 32.4 [9.50] 3.8

DR —Depression ratio
dbE—Entering air dry bulb
wbE—Entering air wet bulb

Total —Total capacity x 1000 BTUH
Sens —Sensible capacity x 1000 BTUH
Power—KW input

NOTES:

① When the entering air dry bulb is other than 80°F [27°C], adjust the sensible capacity from the table by adding [1.10 x CFM x (1 – DR) x (dbE – 80)].

HEATING PERFORMANCE DATA—RJNL-A042

		60°F [15.5°C]			70°F [21.1°C]			80°F [26.7°C]			
		1680 [793]	1400 [661]	1120 [529]	1680 [793]	1400 [661]	1120 [529]	1680 [793]	1400 [661]	1120 [529]	
		CFM [L/s]	IDB	IDB	IDB	IDB	IDB	IDB	IDB	IDB	
OUTDOOR DRY BULB TEMPERATURE °F [°C]	0 [-17.8]	Total BTUH [kW] Power	10.9 [3.19] 2.0	10.7 [3.14] 2.1	10.6 [3.11] 2.1	9.6 [2.81] 2.3	9.5 [2.78] 2.4	9.3 [2.73] 2.4	8.5 [2.49] 2.6	8.4 [2.46] 2.7	8.2 [2.40] 2.8
	5 [26.7]	Total BTUH [kW] Power	15.4 [4.51] 2.1	15.2 [4.45] 2.1	15.0 [4.40] 2.2	14.2 [4.16] 2.4	14.0 [4.10] 2.4	13.8 [4.04] 2.5	13.1 [3.84] 2.7	12.9 [3.78] 2.8	12.7 [3.72] 2.8
	10 [-12.2]	Total BTUH [kW] Power	19.4 [5.69] 2.1	19.1 [5.60] 2.2	18.8 [5.51] 2.2	18.1 [5.30] 2.4	17.8 [5.22] 2.5	17.6 [5.16] 2.5	17.0 [4.98] 2.7	16.7 [4.89] 2.8	16.5 [4.84] 2.9
	15 [32.2]	Total BTUH [kW] Power	22.8 [6.68] 2.2	22.5 [6.59] 2.2	22.1 [6.48] 2.3	21.5 [6.30] 2.4	21.2 [6.21] 2.5	20.9 [6.13] 2.6	20.4 [5.98] 2.8	20.1 [5.89] 2.8	19.8 [5.80] 2.9
	20 [-6.6]	Total BTUH [kW] Power	25.8 [7.56] 2.2	25.4 [7.44] 2.3	25.1 [7.36] 2.3	24.5 [7.18] 2.5	24.2 [7.09] 2.6	23.8 [6.98] 2.6	23.4 [6.86] 2.8	23.1 [6.77] 2.9	22.8 [6.68] 3.0
	25 [37.8]	Total BTUH [kW] Power	28.6 [8.38] 2.3	28.2 [8.26] 2.3	27.8 [8.15] 2.4	27.3 [8.00] 2.5	26.9 [7.88] 2.6	26.5 [7.77] 2.7	26.2 [7.68] 2.9	25.8 [7.56] 2.9	25.5 [7.47] 3.0
	30 [-1.1]	Total BTUH [kW] Power	31.2 [9.14] 2.3	30.8 [9.03] 2.4	30.3 [8.88] 2.4	29.9 [8.76] 2.6	29.5 [8.65] 2.6	29.1 [8.53] 2.7	28.8 [8.44] 2.9	28.4 [8.32] 3.0	28.0 [8.21] 3.1
	35 [43.3]	Total BTUH [kW] Power	33.8 [9.91] 2.3	33.4 [9.79] 2.4	32.9 [9.64] 2.5	32.6 [9.55] 2.6	32.1 [9.41] 2.7	31.6 [9.26] 2.8	31.5 [9.23] 3.0	31.0 [9.09] 3.0	30.6 [8.97] 3.1
	40 [4.4]	Total BTUH [kW] Power	36.6 [10.73] 2.4	36.1 [10.58] 2.4	35.6 [10.43] 2.5	35.3 [10.35] 2.7	34.8 [10.20] 2.7	34.3 [10.05] 2.8	34.2 [10.02] 3.0	33.7 [9.88] 3.1	33.2 [9.73] 3.2
	45 [46.1]	Total BTUH [kW] Power	39.6 [11.61] 2.4	39.0 [11.43] 2.5	38.5 [11.28] 2.6	38.3 [11.22] 2.7	37.8 [11.08] 2.8	37.2 [10.90] 2.8	37.2 [10.90] 3.0	36.7 [10.76] 3.1	36.2 [10.61] 3.2
50 [10]	Total BTUH [kW] Power	43.0 [12.60] 2.5	42.3 [12.40] 2.5	41.7 [12.22] 2.6	41.7 [12.22] 2.8	41.1 [12.05] 2.8	40.5 [11.87] 2.9	40.6 [11.90] 3.1	40.0 [11.72] 3.2	39.4 [11.55] 3.2	

IDB—Indoor air dry bulb

[] Designates Metric Conversions

SYSTEMS PERFORMANCE—RJNL- SERIES



COOLING PERFORMANCE DATA—RJNL-A048

		ENTERING INDOOR AIR @ 80°F [26.7°C] dbE ①									
wbE		71°F [21.7°C]			67°F [19.4°C]			63°F [17.2°C]			
CFM [L/s]		1920 [906]	1600 [755]	1280 [604]	1920 [906]	1600 [755]	1280 [604]	1920 [906]	1600 [755]	1280 [604]	
DR ①		.15	.12	.07	.15	.12	.07	.15	.12	.07	
OUTDOOR DRY BULB TEMPERATURE °F [°C]	75 [23.9]	Total BTUH [kW] Sens BTUH [kW] Power	61.1 [17.91] 37.6 [11.02] 2.9	59.0 [17.29] 34.4 [10.08] 2.8	56.8 [16.65] 31.2 [9.14] 2.8	57.7 [16.91] 44.6 [13.07] 2.9	55.7 [16.32] 40.8 [11.96] 2.8	53.7 [15.74] 37.0 [10.84] 2.8	52.8 [15.47] 49.4 [14.48] 2.9	51.0 [14.95] 45.2 [13.25] 2.8	49.1 [14.39] 40.9 [11.99] 2.8
	80 [26.7]	Total BTUH [kW] Sens BTUH [kW] Power	60.1 [17.61] 37.0 [10.84] 3.0	57.9 [16.97] 33.9 [9.94] 3.0	55.8 [16.35] 30.7 [9.00] 2.9	56.6 [16.59] 44.0 [12.90] 3.1	54.7 [16.03] 40.3 [11.81] 3.0	52.7 [15.44] 36.5 [10.70] 3.0	51.8 [15.18] 48.7 [14.27] 3.0	50.0 [14.65] 44.7 [13.10] 3.0	48.2 [14.13] 40.5 [11.87] 2.9
	85 [29.4]	Total BTUH [kW] Sens BTUH [kW] Power	58.6 [17.17] 36.3 [10.64] 3.2	56.6 [16.59] 33.2 [9.73] 3.2	54.5 [15.97] 30.1 [8.82] 3.1	55.2 [16.18] 43.3 [12.69] 3.2	53.3 [15.62] 39.6 [11.61] 3.2	51.3 [15.03] 35.9 [10.52] 3.1	50.4 [14.77] 48.3 [14.16] 3.2	48.6 [14.24] 44.0 [12.90] 3.2	46.8 [13.72] 39.9 [11.69] 3.1
	90 [32.2]	Total BTUH [kW] Sens BTUH [kW] Power	56.9 [16.68] 35.5 [10.40] 3.4	54.9 [16.09] 32.4 [9.50] 3.4	52.9 [15.50] 29.4 [8.62] 3.3	53.5 [15.68] 42.5 [12.46] 3.4	51.6 [15.12] 38.8 [11.37] 3.4	49.8 [14.59] 35.2 [10.32] 3.3	48.7 [14.27] 47.4 [13.89] 3.4	46.9 [13.75] 43.2 [12.66] 3.4	45.2 [13.25] 39.2 [11.49] 3.3
	95 [35]	Total BTUH [kW] Sens BTUH [kW] Power	55.0 [16.12] 34.5 [10.11] 3.6	53.1 [15.56] 31.6 [9.26] 3.5	51.1 [14.98] 28.6 [8.38] 3.5	51.6 [15.12] 41.5 [12.16] 3.6	49.8 [14.59] 38.0 [11.14] 3.6	48.0 [14.07] 34.4 [10.08] 3.5	46.7 [13.69] 46.1 [13.51] 3.6	45.1 [13.22] 42.4 [12.43] 3.5	43.5 [12.75] 38.4 [11.25] 3.5
	100 [37.8]	Total BTUH [kW] Sens BTUH [kW] Power	53.0 [15.53] 33.5 [9.82] 3.8	51.1 [14.98] 30.7 [9.00] 3.7	49.2 [14.42] 27.8 [8.15] 3.7	49.6 [14.54] 40.6 [11.90] 3.8	47.8 [14.01] 37.1 [10.87] 3.7	46.1 [13.51] 33.6 [9.85] 3.7	44.7 [13.10] 44.7 [13.10] 3.8	43.1 [12.63] 41.5 [12.16] 3.7	41.6 [12.19] 37.6 [11.02] 3.7
	105 [40.6]	Total BTUH [kW] Sens BTUH [kW] Power	50.9 [14.92] 32.6 [9.55] 4.0	49.1 [14.39] 29.8 [8.73] 3.9	47.3 [13.86] 27.0 [7.91] 3.8	47.5 [13.92] 39.6 [11.61] 4.0	45.8 [13.42] 36.2 [10.61] 3.9	44.1 [12.92] 32.8 [9.61] 3.9	42.6 [12.48] 42.6 [12.48] 4.0	41.1 [12.05] 40.6 [11.90] 3.9	39.6 [11.61] 36.8 [10.79] 3.8
	110 [43.3]	Total BTUH [kW] Sens BTUH [kW] Power	48.8 [14.30] 31.6 [9.26] 4.2	47.1 [13.80] 28.9 [8.47] 4.1	45.4 [13.31] 26.2 [7.68] 4.0	45.4 [13.31] 38.6 [11.31] 4.2	43.8 [12.84] 35.3 [10.35] 4.1	42.2 [12.37] 32.0 [9.38] 4.0	40.6 [11.90] 40.6 [11.90] 4.2	39.1 [11.46] 39.1 [11.46] 4.1	37.7 [11.05] 36.0 [10.55] 4.0
	115 [46.1]	Total BTUH [kW] Sens BTUH [kW] Power	46.9 [13.75] 30.8 [9.03] 4.3	45.3 [13.28] 28.2 [8.26] 4.3	43.6 [12.78] 25.5 [7.47] 4.2	43.5 [12.75] 37.8 [11.08] 4.4	42.0 [12.31] 34.6 [10.14] 4.3	40.4 [11.84] 31.3 [9.17] 4.2	38.6 [11.31] 38.6 [11.31] 4.3	37.3 [10.93] 37.3 [10.93] 4.3	35.9 [10.52] 35.3 [10.35] 4.2

DR —Depression ratio
dbE—Entering air dry bulb
wbE—Entering air wet bulb

Total —Total capacity x 1000 BTUH
Sens —Sensible capacity x 1000 BTUH
Power—KW input

NOTES:
① When the entering air dry bulb is other than 80°F [27°C], adjust the sensible capacity from the table by adding $[1.10 \times \text{CFM} \times (1 - \text{DR}) \times (\text{dbE} - 80)]$.

HEATING PERFORMANCE DATA—RJNL-A048

		60°F [15.5°C]			70°F [21.1°C]			80°F [26.7°C]			
IDB		1920 [906]	1600 [755]	1280 [604]	1920 [906]	1600 [755]	1280 [604]	1920 [906]	1600 [755]	1280 [604]	
CFM [L/s]											
OUTDOOR DRY BULB TEMPERATURE °F [°C]	0 [-17.8]	Total BTUH [kW] Power	18.5 [5.42] 2.4	18.2 [5.33] 2.5	18.0 [5.28] 2.5	17.0 [4.98] 2.8	16.8 [4.92] 2.8	16.5 [4.84] 2.9	15.4 [4.51] 3.1	15.2 [4.45] 3.2	15.0 [4.40] 3.3
	5 [26.7]	Total BTUH [kW] Power	21.2 [6.21] 2.5	20.9 [6.13] 2.5	20.6 [6.04] 2.6	19.7 [5.77] 2.8	19.4 [5.69] 2.9	19.2 [5.63] 2.9	18.1 [5.30] 3.2	17.8 [5.22] 3.3	17.6 [5.16] 3.3
	10 [-12.2]	Total BTUH [kW] Power	24.0 [7.03] 2.5	23.7 [6.95] 2.6	23.4 [6.86] 2.6	22.6 [6.62] 2.8	22.2 [6.51] 2.9	21.9 [6.42] 3.0	20.9 [6.13] 3.2	20.6 [6.04] 3.3	20.3 [5.95] 3.4
	15 [32.2]	Total BTUH [kW] Power	27.0 [7.91] 2.5	26.6 [7.80] 2.6	26.3 [7.71] 2.7	25.5 [7.47] 2.9	25.2 [7.39] 3.0	24.8 [7.27] 3.0	23.9 [7.00] 3.3	23.6 [6.92] 3.3	23.2 [6.80] 3.4
	20 [-6.6]	Total BTUH [kW] Power	30.1 [8.82] 2.6	29.7 [8.70] 2.7	29.3 [8.59] 2.7	28.6 [8.38] 2.9	28.2 [8.26] 3.0	27.8 [8.15] 3.1	27.0 [7.91] 3.3	26.6 [7.80] 3.4	26.2 [7.68] 3.5
	25 [37.8]	Total BTUH [kW] Power	33.3 [9.76] 2.6	32.8 [9.61] 2.7	32.4 [9.50] 2.8	31.8 [9.32] 3.0	31.4 [9.20] 3.1	30.9 [9.06] 3.1	30.2 [8.85] 3.4	29.8 [8.73] 3.4	29.3 [8.59] 3.5
	30 [-1.1]	Total BTUH [kW] Power	36.6 [10.73] 2.7	36.1 [10.58] 2.7	35.6 [10.43] 2.8	35.1 [10.29] 3.0	34.7 [10.17] 3.1	34.2 [10.02] 3.2	33.5 [9.82] 3.4	33.1 [9.70] 3.5	32.6 [9.55] 3.6
	35 [43.3]	Total BTUH [kW] Power	40.1 [11.75] 2.7	39.5 [11.58] 2.8	39.0 [11.43] 2.9	38.6 [11.31] 3.1	38.1 [11.17] 3.1	37.5 [10.99] 3.2	37.0 [10.84] 3.4	36.5 [10.70] 3.5	36.0 [10.55] 3.6
	40 [4.4]	Total BTUH [kW] Power	43.7 [12.81] 2.8	43.1 [12.63] 2.8	42.5 [12.46] 2.9	42.2 [12.37] 3.1	41.6 [12.19] 3.2	41.0 [12.02] 3.3	40.6 [11.90] 3.5	40.0 [11.72] 3.6	39.4 [11.55] 3.7
	45 [46.1]	Total BTUH [kW] Power	47.4 [13.89] 2.8	46.7 [13.69] 2.9	46.1 [13.51] 2.9	45.9 [13.45] 3.2	45.3 [13.28] 3.2	44.6 [13.07] 3.3	44.3 [12.98] 3.5	43.7 [12.81] 3.6	43.0 [12.60] 3.7
50 [10]	Total BTUH [kW] Power	51.2 [15.01] 2.9	50.5 [14.80] 2.9	49.8 [14.59] 3.0	49.7 [14.57] 3.2	49.0 [14.36] 3.3	48.3 [14.16] 3.4	48.1 [14.10] 3.6	47.4 [13.89] 3.7	46.8 [13.72] 3.8	

IDB—Indoor air dry bulb

[] Designates Metric Conversions



SYSTEMS PERFORMANCE—RJNL- SERIES

COOLING PERFORMANCE DATA—RJNL-A060

		ENTERING INDOOR AIR @ 80°F [26.7°C] dbE ①									
wbE		71°F [21.7°C]			67°F [19.4°C]			63°F [17.2°C]			
CFM [L/s]		2500 [1180]	2000 [944]	1500 [708]	2500 [1180]	2000 [944]	1500 [708]	2500 [1180]	2000 [944]	1500 [708]	
DR ①		.19	.15	.10	.19	.15	.10	.19	.15	.10	
OUTDOOR DRY BULB TEMPERATURE °F [°C]	75 [23.9]	Total BTUH [kW]	74.2 [21.75]	71.0 [20.81]	67.7 [19.84]	71.2 [20.87]	68.1 [19.96]	65.0 [19.05]	67.7 [19.84]	64.7 [18.96]	61.8 [18.11]
		Sens BTUH [kW]	45.3 [13.28]	40.6 [11.90]	35.9 [10.52]	55.0 [16.12]	49.2 [14.42]	43.5 [12.75]	63.4 [18.58]	56.8 [16.65]	50.2 [14.71]
		Power	3.7	3.7	3.6	3.7	3.6	3.5	3.7	3.6	3.5
	80 [26.7]	Total BTUH [kW]	72.8 [21.34]	69.6 [20.40]	66.4 [19.46]	69.8 [20.46]	66.8 [19.58]	63.7 [18.67]	66.3 [19.43]	63.4 [18.58]	60.5 [17.73]
		Sens BTUH [kW]	44.6 [13.07]	39.9 [11.69]	35.3 [10.35]	54.2 [15.88]	48.5 [14.21]	42.9 [12.57]	62.5 [18.32]	56.1 [16.44]	49.6 [14.54]
		Power	4.0	3.9	3.8	3.9	3.8	3.7	3.9	3.8	3.7
	85 [29.4]	Total BTUH [kW]	71.0 [20.81]	67.9 [19.90]	64.8 [18.99]	68.0 [19.93]	65.1 [19.08]	62.1 [18.20]	64.5 [18.90]	61.7 [18.08]	58.9 [17.26]
		Sens BTUH [kW]	43.7 [12.81]	39.1 [11.46]	34.6 [10.14]	53.3 [15.62]	47.8 [14.01]	42.2 [12.37]	62.0 [18.17]	55.3 [16.21]	48.9 [14.33]
		Power	4.2	4.1	4.0	4.1	4.0	3.9	4.1	4.0	3.9
	90 [32.2]	Total BTUH [kW]	69.0 [20.22]	66.0 [19.34]	63.0 [18.46]	66.0 [19.34]	63.1 [18.49]	60.2 [17.64]	62.5 [18.32]	59.7 [17.50]	57.0 [16.71]
Sens BTUH [kW]		42.8 [12.54]	38.3 [11.22]	33.8 [9.91]	52.4 [15.36]	46.9 [13.75]	41.5 [12.16]	61.0 [17.88]	54.5 [15.97]	48.1 [14.10]	
Power		4.4	4.3	4.2	4.3	4.2	4.2	4.3	4.2	4.2	
95 [35]	Total BTUH [kW]	66.7 [19.55]	63.8 [18.70]	60.9 [17.85]	63.8 [18.70]	61.0 [17.88]	58.2 [17.06]	60.2 [17.64]	57.6 [16.88]	55.0 [16.12]	
	Sens BTUH [kW]	41.8 [12.25]	37.4 [10.96]	33.0 [9.67]	51.4 [15.06]	46.0 [13.48]	40.7 [11.93]	59.6 [17.47]	53.6 [15.71]	47.3 [13.86]	
	Power	4.6	4.5	4.4	4.6	4.5	4.4	4.6	4.5	4.4	
100 [37.8]	Total BTUH [kW]	64.4 [18.87]	61.6 [18.05]	58.8 [17.23]	61.4 [17.99]	58.7 [17.20]	56.0 [16.41]	57.9 [16.97]	55.3 [16.21]	52.8 [15.47]	
	Sens BTUH [kW]	40.7 [11.93]	36.5 [10.70]	32.2 [9.44]	50.4 [14.77]	45.1 [13.22]	39.8 [11.66]	57.9 [16.97]	52.7 [15.44]	46.5 [13.63]	
	Power	4.9	4.8	4.7	4.8	4.7	4.6	4.8	4.7	4.6	
105 [40.6]	Total BTUH [kW]	61.9 [18.14]	59.2 [17.35]	56.5 [16.56]	59.0 [17.29]	56.4 [16.53]	53.8 [15.77]	55.4 [16.24]	53.0 [15.53]	50.6 [14.83]	
	Sens BTUH [kW]	39.6 [11.61]	35.5 [10.40]	31.4 [9.20]	49.3 [14.45]	44.1 [12.92]	39.0 [11.43]	55.4 [16.24]	51.7 [15.15]	45.7 [13.39]	
	Power	5.1	5.0	4.9	5.0	4.9	4.8	5.0	4.9	4.8	
110 [43.3]	Total BTUH [kW]	59.5 [17.44]	56.9 [16.68]	54.3 [15.91]	56.5 [16.56]	54.1 [15.86]	51.6 [15.12]	53.0 [15.53]	50.7 [14.86]	48.4 [14.18]	
	Sens BTUH [kW]	38.5 [11.28]	34.5 [10.11]	30.5 [8.94]	48.2 [14.13]	43.1 [12.63]	38.1 [11.17]	53.0 [15.53]	50.7 [14.86]	44.8 [13.13]	
	Power	5.3	5.2	5.1	5.2	5.1	5.0	5.2	5.1	5.0	
115 [46.1]	Total BTUH [kW]	57.2 [16.76]	54.7 [16.03]	52.2 [15.30]	54.2 [15.88]	51.9 [15.21]	49.5 [14.51]	50.7 [14.86]	48.5 [14.21]	46.3 [13.57]	
	Sens BTUH [kW]	37.4 [10.96]	33.5 [9.82]	29.6 [8.67]	47.1 [13.80]	42.2 [12.37]	37.2 [10.90]	50.7 [14.86]	48.5 [14.21]	43.9 [12.87]	
	Power	5.5	5.4	5.3	5.4	5.3	5.2	5.4	5.3	5.2	

DR —Depression ratio
dbE—Entering air dry bulb
wbE—Entering air wet bulb

Total —Total capacity x 1000 BTUH
Sens —Sensible capacity x 1000 BTUH
Power—KW input

NOTES:

① When the entering air dry bulb is other than 80°F [27°C], adjust the sensible capacity from the table by adding [1.10 x CFM x (1 – DR) x (dbE – 80)].

HEATING PERFORMANCE DATA—RJNL-A060

		60°F [15.5°C]			70°F [21.1°C]			80°F [26.7°C]			
IDB		2500 [1180]	2000 [944]	1500 [708]	2500 [1180]	2000 [944]	1500 [708]	2500 [1180]	2000 [944]	1500 [708]	
CFM [L/s]		2500 [1180]	2000 [944]	1500 [708]	2500 [1180]	2000 [944]	1500 [708]	2500 [1180]	2000 [944]	1500 [708]	
OUTDOOR DRY BULB TEMPERATURE °F [°C]	0 [-17.8]	Total BTUH [kW]	23.3 [6.83]	22.9 [6.71]	22.5 [6.59]	21.3 [6.24]	21.0 [6.15]	20.6 [6.04]	19.8 [5.80]	19.4 [5.69]	19.1 [5.60]
		Power	2.9	3.0	3.1	3.3	3.4	3.5	3.9	4.0	4.1
	5 [26.7]	Total BTUH [kW]	26.1 [7.65]	25.6 [7.50]	25.2 [7.39]	24.1 [7.06]	23.7 [6.95]	23.3 [6.83]	22.6 [6.62]	22.2 [6.51]	21.8 [6.39]
		Power	2.9	3.0	3.1	3.4	3.5	3.6	3.9	4.1	4.2
	10 [12.2]	Total BTUH [kW]	30.0 [8.79]	29.4 [8.62]	28.9 [8.47]	28.0 [8.21]	27.5 [8.06]	27.0 [7.91]	26.4 [7.74]	26.0 [7.62]	25.5 [7.47]
		Power	3.0	3.1	3.2	3.5	3.6	3.7	4.0	4.2	4.3
	15 [32.2]	Total BTUH [kW]	34.6 [10.14]	34.0 [9.96]	33.4 [9.79]	32.6 [9.55]	32.0 [9.38]	31.5 [9.23]	31.1 [9.11]	30.5 [8.94]	30.0 [8.79]
		Power	3.1	3.2	3.3	3.6	3.7	3.8	4.1	4.2	4.4
	20 [6.6]	Total BTUH [kW]	39.7 [11.63]	39.0 [11.43]	38.3 [11.22]	37.7 [11.05]	37.0 [10.84]	36.4 [10.67]	36.2 [10.61]	35.5 [10.40]	34.9 [10.23]
		Power	3.2	3.3	3.4	3.6	3.8	3.9	4.2	4.3	4.5
25 [37.8]	Total BTUH [kW]	44.9 [13.16]	44.1 [12.92]	43.3 [12.69]	42.9 [12.57]	42.2 [12.37]	41.4 [12.13]	41.4 [12.13]	40.7 [11.93]	39.9 [11.69]	
	Power	3.3	3.4	3.5	3.7	3.8	4.0	4.3	4.4	4.5	
30 [-1.1]	Total BTUH [kW]	49.9 [14.62]	49.0 [14.36]	48.1 [14.10]	47.9 [14.04]	47.1 [13.80]	46.2 [13.54]	46.4 [13.60]	45.6 [13.36]	44.8 [13.13]	
	Power	3.3	3.5	3.6	3.8	3.9	4.0	4.3	4.5	4.6	
35 [43.3]	Total BTUH [kW]	54.4 [15.94]	53.4 [15.65]	52.5 [15.39]	52.4 [15.36]	51.5 [15.09]	50.6 [14.83]	50.9 [14.92]	50.0 [14.65]	49.1 [14.39]	
	Power	3.4	3.5	3.6	3.9	4.0	4.1	4.4	4.6	4.7	
40 [4.4]	Total BTUH [kW]	58.0 [17.00]	57.0 [16.71]	56.0 [16.41]	56.0 [16.41]	55.1 [16.15]	54.1 [15.86]	54.5 [15.97]	53.6 [15.71]	52.6 [15.42]	
	Power	3.5	3.6	3.7	4.0	4.1	4.2	4.5	4.6	4.8	
45 [46.1]	Total BTUH [kW]	60.5 [17.73]	59.4 [17.41]	58.4 [17.12]	58.5 [17.14]	57.5 [16.85]	56.5 [16.56]	57.0 [16.71]	56.0 [16.41]	55.0 [16.12]	
	Power	3.6	3.7	3.8	4.0	4.2	4.3	4.6	4.7	4.9	
50 [10]	Total BTUH [kW]	61.5 [18.02]	60.4 [17.70]	59.3 [17.38]	59.5 [17.44]	58.5 [17.14]	57.4 [16.82]	58.0 [17.00]	56.9 [16.68]	55.9 [16.38]	
	Power	3.7	3.8	3.9	4.1	4.2	4.4	4.7	4.8	5.0	

IDB—Indoor air dry bulb

[] Designates Metric Conversions



COOLING PERFORMANCE DATA—RJNL-A072

		ENTERING INDOOR AIR @ 80°F [26.7°C]									
		71°F [21.7°C]			67°F [19.4°C]			63°F [17.2°C]			
wbE		2880 [1359]	2125 [1003]	1920 [906]	2880 [1359]	2125 [1003]	1920 [906]	2880 [1359]	2125 [1003]	1920 [906]	
CFM [L/s]		2880 [1359]	2125 [1003]	1920 [906]	2880 [1359]	2125 [1003]	1920 [906]	2880 [1359]	2125 [1003]	1920 [906]	
DR ①		0	.06	.09	0	.06	.09	0	.06	.09	
OUTDOOR DRY BULB TEMPERATURE °F [°C]	75 [23.9]	Total BTUH [kW] Sens BTUH [kW] Power	91.1 [26.7] 72.0 [21.1] 4.7	85.6 [25.1] 56.3 [16.5] 4.6	84.1 [24.6] 52.3 [15.3] 4.6	85.6 [25.1] 82.1 [24.1] 4.7	80.4 [23.6] 65.2 [19.1] 4.5	79.0 [23.2] 60.9 [17.9] 4.5	82.9 [24.3] 82.9 [24.3] 4.6	77.9 [22.8] 73.7 [21.6] 4.5	76.5 [22.4] 69.0 [20.2] 4.5
	80 [26.7]	Total BTUH [kW] Sens BTUH [kW] Power	89.0 [26.1] 67.5 [19.8] 5.0	83.6 [24.5] 52.5 [15.4] 4.8	82.1 [24.1] 48.7 [14.3] 4.8	83.5 [24.5] 77.5 [22.7] 4.9	78.4 [23.0] 61.4 [18.0] 4.8	77.0 [22.6] 57.3 [16.8] 4.7	80.8 [23.7] 80.8 [23.7] 4.9	75.9 [22.2] 69.9 [20.5] 4.7	74.6 [21.9] 65.5 [19.2] 4.7
	85 [29.4]	Total BTUH [kW] Sens BTUH [kW] Power	86.9 [25.5] 63.5 [18.6] 5.2	81.6 [23.9] 49.2 [14.4] 5.1	80.2 [23.5] 45.6 [13.4] 5.0	81.4 [23.9] 73.6 [21.6] 5.2	76.4 [22.4] 58.1 [17.0] 5.0	75.1 [22.0] 54.2 [15.9] 5.0	78.7 [23.1] 78.7 [23.1] 5.1	73.9 [21.7] 66.6 [19.5] 5.0	72.6 [21.3] 62.4 [18.3] 4.9
	90 [32.2]	Total BTUH [kW] Sens BTUH [kW] Power	84.9 [24.9] 60.4 [17.7] 5.5	79.7 [23.4] 46.6 [13.7] 5.4	78.3 [22.9] 43.2 [12.7] 5.3	79.3 [23.2] 70.2 [20.6] 5.5	74.5 [21.8] 55.4 [16.2] 5.3	73.2 [21.5] 51.7 [15.2] 5.3	76.7 [22.5] 76.7 [22.5] 5.4	72.0 [21.1] 63.9 [18.7] 5.2	70.8 [20.7] 59.9 [17.6] 5.2
	95 [35]	Total BTUH [kW] Sens BTUH [kW] Power	82.9 [24.3] 57.7 [16.9] 5.8	77.9 [22.8] 44.5 [13.1] 5.6	76.5 [22.4] 41.2 [12.1] 5.6	77.4 [22.7] 67.7 [19.9] 5.8	72.7 [21.3] 53.4 [15.7] 5.6	71.4 [20.9] 49.8 [14.6] 5.5	74.7 [21.9] 74.7 [21.9] 5.7	70.2 [20.6] 61.9 [18.2] 5.5	68.9 [20.2] 57.9 [17.0] 5.5
	100 [37.8]	Total BTUH [kW] Sens BTUH [kW] Power	81.0 [23.7] 55.8 [16.4] 6.1	76.1 [22.3] 43.0 [12.6] 6.0	74.7 [21.9] 39.7 [11.6] 5.9	75.4 [22.1] 65.8 [19.3] 6.1	70.9 [20.8] 51.9 [15.2] 5.9	69.6 [20.4] 48.3 [14.2] 5.8	72.8 [21.3] 72.8 [21.3] 6.0	68.4 [20.0] 60.4 [17.7] 5.8	67.2 [19.7] 56.5 [16.6] 5.8
	105 [40.6]	Total BTUH [kW] Sens BTUH [kW] Power	79.1 [23.2] 54.6 [16.0] 6.5	74.3 [21.8] 42.0 [12.3] 6.3	73.0 [21.4] 38.9 [11.4] 6.2	73.6 [21.6] 64.6 [18.9] 6.4	69.1 [20.3] 50.9 [14.9] 6.2	67.9 [19.9] 47.5 [13.9] 6.2	70.9 [20.8] 70.9 [20.8] 6.4	66.6 [19.5] 59.4 [17.4] 6.2	65.4 [19.2] 55.6 [16.3] 6.1
	110 [43.3]	Total BTUH [kW] Sens BTUH [kW] Power	77.3 [22.7] 54.0 [15.8] 6.8	72.6 [21.3] 41.6 [12.2] 6.6	71.3 [20.9] 38.5 [11.3] 6.6	71.7 [21.0] 63.9 [18.7] 6.8	67.4 [19.8] 50.5 [14.8] 6.6	66.2 [19.4] 47.1 [13.8] 6.5	69.1 [20.3] 69.1 [20.3] 6.7	64.9 [19.0] 59.0 [17.3] 6.5	63.8 [18.7] 55.3 [16.2] 6.4
	115 [46.1]	Total BTUH [kW] Sens BTUH [kW] Power	75.5 [22.1] 54.1 [15.9] 7.2	70.9 [20.8] 41.8 [12.3] 7.0	69.7 [20.4] 38.8 [11.4] 6.9	70.0 [20.5] 64.1 [18.8] 7.1	65.7 [19.3] 50.7 [14.9] 6.9	64.6 [18.9] 47.4 [13.9] 6.9	67.3 [19.7] 67.3 [19.7] 7.1	63.2 [18.5] 59.2 [17.4] 6.9	62.1 [18.2] 55.5 [16.3] 6.8

DR —Depression ratio
dbE —Entering air dry bulb
wbE—Entering air wet bulb

Total —Total capacity x 1000 BTUH
Sens —Sensible capacity x 1000 BTUH
Power—KW input

NOTES:

① When the entering air dry bulb is other than 80°F [27°C], adjust the sensible capacity from the table by adding $[1.10 \times \text{CFM} \times (1 - \text{DR}) \times (\text{dbE} - 80)]$.

HEATING PERFORMANCE DATA—RJNL-A072

		60°F [15.5°C]			70°F [21.1°C]			80°F [26.7°C]			
IDB		2880 [1359]	2125 [1003]	1920 [906]	2880 [1359]	2125 [1003]	1920 [906]	2880 [1359]	2125 [1003]	1920 [906]	
CFM [L/s]		2880 [1359]	2125 [1003]	1920 [906]	2880 [1359]	2125 [1003]	1920 [906]	2880 [1359]	2125 [1003]	1920 [906]	
OUTDOOR DRY BULB TEMPERATURE °F [°C]	0 [-17.8]	Total BTUH [kW] Power	26.0 [7.6] 8.2	25.4 [7.4] 8.6	25.2 [7.4] 8.7	24.5 [7.2] 8.2	23.9 [7.0] 8.6	23.7 [6.9] 8.7	22.9 [6.7] 8.2	22.4 [6.6] 8.6	22.2 [6.5] 8.7
	5 [26.7]	Total BTUH [kW] Power	30.5 [8.9] 7.8	29.8 [8.7] 8.2	29.6 [8.7] 8.3	29.0 [8.5] 7.8	28.3 [8.3] 8.2	28.1 [8.2] 8.3	27.4 [8.0] 7.8	26.8 [7.9] 8.2	26.6 [7.8] 8.3
	10 [-12.2]	Total BTUH [kW] Power	35.1 [10.3] 7.5	34.2 [10.0] 7.8	34.0 [10.0] 7.9	33.5 [9.8] 7.5	32.7 [9.6] 7.8	32.5 [9.5] 7.9	32.0 [9.4] 7.5	31.2 [9.1] 7.8	31.0 [9.1] 7.9
	15 [32.2]	Total BTUH [kW] Power	39.6 [11.6] 7.1	38.6 [11.3] 7.4	38.4 [11.3] 7.5	38.0 [11.1] 7.1	37.1 [10.9] 7.4	36.8 [10.8] 7.5	36.5 [10.7] 7.1	35.6 [10.4] 7.4	35.3 [10.3] 7.5
	20 [-6.6]	Total BTUH [kW] Power	44.1 [12.9] 6.7	43.0 [12.6] 7.0	42.7 [12.5] 7.1	42.6 [12.5] 6.7	41.5 [12.2] 7.0	41.2 [12.1] 7.1	41.0 [12.0] 6.7	40.0 [11.7] 7.0	39.7 [11.6] 7.1
	25 [37.8]	Total BTUH [kW] Power	48.6 [14.2] 6.4	47.4 [13.9] 6.7	47.1 [13.8] 6.7	47.1 [13.8] 6.4	45.9 [13.5] 6.7	45.6 [13.4] 6.7	45.5 [13.3] 6.4	44.4 [13.0] 6.7	44.1 [12.9] 6.7
	30 [-1.1]	Total BTUH [kW] Power	53.2 [15.6] 6.0	51.9 [15.2] 6.3	51.5 [15.1] 6.4	51.6 [15.1] 6.0	50.3 [14.7] 6.3	50.0 [14.7] 6.4	50.1 [14.7] 6.0	48.8 [14.3] 6.3	48.5 [14.2] 6.4
	35 [43.3]	Total BTUH [kW] Power	57.7 [16.9] 5.7	56.3 [16.5] 5.9	55.9 [16.4] 6.0	56.1 [16.4] 5.7	54.8 [16.1] 5.9	54.4 [15.9] 6.0	54.6 [16.0] 5.7	53.2 [15.6] 5.9	52.9 [15.5] 6.0
	40 [4.4]	Total BTUH [kW] Power	62.2 [18.2] 5.3	60.7 [17.8] 5.5	60.3 [17.7] 5.6	60.7 [17.8] 5.3	59.2 [17.3] 5.5	58.8 [17.2] 5.6	59.1 [17.3] 5.3	57.6 [16.9] 5.5	57.3 [16.8] 5.6
	45 [46.1]	Total BTUH [kW] Power	66.7 [19.5] 4.9	65.1 [19.1] 5.2	64.6 [18.9] 5.2	65.2 [19.1] 4.9	63.6 [18.6] 5.2	63.1 [18.5] 5.2	63.6 [18.6] 4.9	62.1 [18.2] 5.2	61.6 [18.1] 5.2
50 [10]	Total BTUH [kW] Power	71.3 [20.9] 4.6	69.5 [20.4] 4.8	69.0 [20.2] 4.8	69.7 [20.4] 4.6	68.0 [19.9] 4.8	67.5 [19.8] 4.8	68.2 [20.0] 4.6	66.5 [19.5] 4.8	66.0 [19.3] 4.8	

IDB—Indoor air dry bulb

[] Designates Metric Conversions



SYSTEMS PERFORMANCE—RJPL- SERIES

COOLING PERFORMANCE DATA—RJPL-A036

		ENTERING INDOOR AIR @ 80°F [26.7°C] dbE ①									
		71°F [21.7°C]			67°F [19.4°C]			63°F [17.2°C]			
wbE		1440 [680]	1200 [566]	960 [453]	1440 [680]	1200 [566]	960 [453]	1440 [680]	1200 [566]	960 [453]	
CFM [L/s]		1440 [680]	1200 [566]	960 [453]	1440 [680]	1200 [566]	960 [453]	1440 [680]	1200 [566]	960 [453]	
DR ①		.17	.14	.10	.17	.14	.10	.17	.14	.10	
OUTDOOR DRY BULB TEMPERATURE °F [°C]	75 [23.9]	Total BTUH [kW] Sens BTUH [kW] Power	45.5 [13.33] 27.3 [8.00] 2.2	43.9 [12.87] 24.9 [7.30] 2.2	42.3 [12.40] 22.6 [6.62] 2.1	43.7 [12.81] 33.1 [9.70] 2.2	42.2 [12.37] 30.3 [8.88] 2.2	40.6 [11.90] 27.5 [8.06] 2.1	40.9 [11.99] 38.0 [11.14] 2.2	39.4 [11.55] 34.8 [10.20] 2.1	38.0 [11.14] 31.5 [9.23] 2.1
	80 [26.7]	Total BTUH [kW] Sens BTUH [kW] Power	45.0 [13.19] 27.0 [7.91] 2.3	43.4 [12.72] 24.7 [7.24] 2.3	41.8 [12.25] 22.4 [6.56] 2.3	43.2 [12.66] 32.9 [9.64] 2.3	41.7 [12.22] 30.1 [8.82] 2.3	40.2 [11.78] 27.3 [8.00] 2.3	40.3 [11.81] 37.7 [11.05] 2.3	38.9 [11.40] 34.6 [10.14] 2.3	37.5 [10.99] 31.3 [9.17] 2.2
	85 [29.4]	Total BTUH [kW] Sens BTUH [kW] Power	44.0 [12.90] 26.5 [7.77] 2.5	42.4 [12.43] 24.3 [7.12] 2.4	40.9 [11.99] 22.0 [6.45] 2.4	42.2 [12.37] 32.4 [9.50] 2.5	40.7 [11.93] 29.6 [8.67] 2.4	39.2 [11.49] 26.9 [7.88] 2.4	39.3 [11.52] 37.4 [10.96] 2.4	38.0 [11.14] 34.1 [9.99] 2.4	36.6 [10.73] 30.9 [9.06] 2.4
	90 [32.2]	Total BTUH [kW] Sens BTUH [kW] Power	42.6 [12.48] 25.8 [7.56] 2.6	41.1 [12.05] 23.6 [6.92] 2.6	39.6 [11.61] 21.4 [6.27] 2.5	40.8 [11.96] 31.7 [9.29] 2.6	39.4 [11.55] 29.0 [8.50] 2.6	38.0 [11.14] 26.3 [7.71] 2.5	38.0 [11.14] 36.7 [10.76] 2.6	36.6 [10.73] 33.5 [9.82] 2.5	35.3 [10.35] 30.3 [8.88] 2.5
	95 [35]	Total BTUH [kW] Sens BTUH [kW] Power	41.0 [12.02] 25.0 [7.33] 2.7	39.5 [11.58] 22.9 [6.71] 2.7	38.1 [11.17] 20.7 [6.07] 2.6	39.2 [11.49] 30.9 [9.06] 2.7	37.8 [11.08] 28.2 [8.26] 2.7	36.4 [10.67] 25.6 [7.50] 2.6	36.3 [10.64] 35.7 [10.46] 2.7	35.1 [10.29] 32.7 [9.58] 2.7	33.8 [9.91] 29.7 [8.70] 2.6
	100 [37.8]	Total BTUH [kW] Sens BTUH [kW] Power	39.2 [11.49] 24.1 [7.06] 2.9	37.8 [11.08] 22.1 [6.48] 2.8	36.5 [10.70] 20.0 [5.86] 2.8	37.4 [10.96] 30.0 [8.79] 2.9	36.1 [10.58] 27.4 [8.03] 2.8	34.8 [10.20] 24.9 [7.30] 2.8	34.6 [10.14] 34.6 [10.14] 2.8	33.4 [9.79] 31.9 [9.35] 2.8	32.2 [9.44] 28.9 [8.47] 2.8
	105 [40.6]	Total BTUH [kW] Sens BTUH [kW] Power	37.5 [10.99] 23.3 [6.83] 3.0	36.1 [10.58] 21.3 [6.24] 3.0	34.8 [10.20] 19.3 [5.66] 2.9	35.7 [10.46] 29.1 [8.53] 3.0	34.4 [10.08] 26.7 [7.83] 3.0	33.2 [9.73] 24.2 [7.09] 2.9	32.8 [9.61] 32.8 [9.61] 3.0	31.7 [9.29] 31.1 [9.11] 2.9	30.5 [8.94] 28.2 [8.26] 2.9
	110 [43.3]	Total BTUH [kW] Sens BTUH [kW] Power	35.8 [10.49] 22.5 [6.59] 3.1	34.5 [10.11] 20.6 [6.04] 3.1	33.3 [9.76] 18.7 [5.48] 3.0	34.0 [9.96] 28.4 [8.32] 3.1	32.8 [9.61] 26.0 [7.62] 3.1	31.6 [9.26] 23.5 [6.89] 3.0	31.2 [9.14] 31.2 [9.14] 3.1	30.1 [8.82] 30.1 [8.82] 3.1	29.0 [8.50] 27.6 [8.09] 3.0
	115 [46.1]	Total BTUH [kW] Sens BTUH [kW] Power	34.4 [10.08] 22.0 [6.45] 3.3	33.2 [9.73] 20.1 [5.89] 3.2	32.0 [9.38] 18.2 [5.33] 3.2	32.6 [9.55] 27.8 [8.15] 3.3	31.5 [9.23] 25.5 [7.47] 3.2	30.3 [8.88] 23.1 [6.77] 3.2	29.7 [8.70] 29.7 [8.70] 3.3	28.7 [8.41] 28.7 [8.41] 3.2	27.7 [8.12] 27.1 [7.94] 3.1

DR —Depression ratio
dbE—Entering air dry bulb
wbE—Entering air wet bulb

Total —Total capacity x 1000 BTUH
Sens —Sensible capacity x 1000 BTUH
Power—KW input

NOTES:
① When the entering air dry bulb is other than 80°F [27°C], adjust the sensible capacity from the table by adding $[1.10 \times \text{CFM} \times (1 - \text{DR}) \times (\text{dbE} - 80)]$.

HEATING PERFORMANCE DATA—RJPL-A036

		60°F [15.5°C]			70°F [21.1°C]			80°F [26.7°C]			
IDB		1440 [680]	1200 [566]	960 [453]	1440 [680]	1200 [566]	960 [453]	1440 [680]	1200 [566]	960 [453]	
CFM [L/s]		1440 [680]	1200 [566]	960 [453]	1440 [680]	1200 [566]	960 [453]	1440 [680]	1200 [566]	960 [453]	
OUTDOOR DRY BULB TEMPERATURE °F [°C]	0 [-17.8]	Total BTUH [kW] Power	10.9 [3.19] 1.8	10.7 [3.14] 1.9	10.6 [3.11] 1.9	9.7 [2.84] 2.1	9.6 [2.81] 2.1	9.5 [2.78] 2.2	8.3 [2.43] 2.4	8.2 [2.40] 2.4	8.1 [2.37] 2.5
	5 [26.7]	Total BTUH [kW] Power	13.4 [3.93] 1.9	13.2 [3.87] 1.9	13.0 [3.81] 2.0	12.2 [3.58] 2.1	12.0 [3.52] 2.2	11.9 [3.49] 2.2	10.8 [3.17] 2.4	10.6 [3.11] 2.5	10.5 [3.08] 2.5
	10 [-12.2]	Total BTUH [kW] Power	15.8 [4.63] 1.9	15.6 [4.57] 2.0	15.4 [4.51] 2.0	14.7 [4.31] 2.2	14.5 [4.25] 2.2	14.3 [4.19] 2.3	13.3 [3.90] 2.4	13.1 [3.84] 2.5	12.9 [3.78] 2.6
	15 [32.2]	Total BTUH [kW] Power	18.3 [5.36] 2.0	18.0 [5.28] 2.0	17.8 [5.22] 2.1	17.1 [5.01] 2.2	16.9 [4.95] 2.2	16.7 [4.89] 2.3	15.7 [4.60] 2.5	15.5 [4.54] 2.5	15.3 [4.48] 2.6
	20 [-6.6]	Total BTUH [kW] Power	20.8 [6.10] 2.0	20.5 [6.01] 2.0	20.2 [5.92] 2.1	19.6 [5.74] 2.2	19.3 [5.66] 2.3	19.1 [5.60] 2.3	18.2 [5.33] 2.5	18.0 [5.28] 2.6	17.7 [5.19] 2.7
	25 [37.8]	Total BTUH [kW] Power	23.3 [6.83] 2.0	22.9 [6.71] 2.1	22.6 [6.62] 2.1	22.1 [6.48] 2.3	21.8 [6.39] 2.3	21.5 [6.30] 2.4	20.7 [6.07] 2.6	20.4 [5.98] 2.6	20.1 [5.89] 2.7
	30 [-1.1]	Total BTUH [kW] Power	25.7 [7.53] 2.1	25.4 [7.44] 2.1	25.0 [7.33] 2.2	24.6 [7.21] 2.3	24.2 [7.09] 2.4	23.9 [7.00] 2.4	23.2 [6.80] 2.6	22.8 [6.68] 2.7	22.5 [6.59] 2.7
	35 [43.3]	Total BTUH [kW] Power	28.2 [8.26] 2.1	27.8 [8.15] 2.2	27.4 [8.03] 2.2	27.1 [7.94] 2.3	26.7 [7.83] 2.4	26.3 [7.71] 2.5	25.7 [7.53] 2.6	25.3 [7.41] 2.7	24.9 [7.30] 2.8
	40 [4.4]	Total BTUH [kW] Power	30.7 [9.00] 2.1	30.3 [8.88] 2.2	29.8 [8.73] 2.2	29.6 [8.67] 2.4	29.1 [8.53] 2.4	28.7 [8.41] 2.5	28.1 [8.24] 2.7	27.7 [8.12] 2.7	27.4 [8.03] 2.8
	45 [46.1]	Total BTUH [kW] Power	33.2 [9.73] 2.2	32.7 [9.58] 2.2	32.3 [9.47] 2.3	32.0 [9.38] 2.4	31.6 [9.26] 2.5	31.1 [9.11] 2.5	30.6 [8.97] 2.7	30.2 [8.85] 2.8	29.8 [8.73] 2.8
50 [10]	Total BTUH [kW] Power	35.7 [10.46] 2.2	35.2 [10.32] 2.3	34.7 [10.17] 2.3	34.5 [10.11] 2.4	34.1 [9.99] 2.5	33.6 [9.85] 2.6	33.1 [9.70] 2.7	32.7 [9.58] 2.8	32.2 [9.44] 2.9	

IDB—Indoor air dry bulb

[] Designates Metric Conversions

SYSTEMS PERFORMANCE—RJPL- SERIES



COOLING PERFORMANCE DATA—RJPL-A042

		ENTERING INDOOR AIR @ 80°F [26.7°C] dbE ①									
		71°F [21.7°C]			67°F [19.4°C]			63°F [17.2°C]			
wbE		1680 [793]	1400 [661]	1120 [529]	1680 [793]	1400 [661]	1120 [529]	1680 [793]	1400 [661]	1120 [529]	
CFM [L/s]		1680 [793]	1400 [661]	1120 [529]	1680 [793]	1400 [661]	1120 [529]	1680 [793]	1400 [661]	1120 [529]	
DR ①		.15	.12	.07	.15	.12	.07	.15	.12	.07	
OUTDOOR DRY BULB TEMPERATURE °F [°C]	75 [23.9]	Total BTUH [kW] Sens BTUH [kW] Power	54.1 [15.86] 31.9 [9.35] 2.6	52.2 [15.30] 29.2 [8.56] 2.6	50.3 [14.74] 26.4 [7.74] 2.6	51.0 [14.95] 38.7 [11.34] 2.6	49.2 [14.42] 35.4 [10.37] 2.6	47.4 [13.89] 32.1 [9.41] 2.5	47.7 [13.98] 44.1 [12.92] 2.6	46.0 [13.48] 40.5 [11.87] 2.6	44.3 [12.98] 36.7 [10.76] 2.5
	80 [26.7]	Total BTUH [kW] Sens BTUH [kW] Power	52.8 [15.47] 31.6 [9.26] 2.8	50.9 [14.92] 28.9 [8.47] 2.8	49.1 [14.39] 26.2 [7.68] 2.7	49.7 [14.57] 38.5 [11.28] 2.8	47.9 [14.04] 35.2 [10.32] 2.7	46.2 [13.54] 31.9 [9.35] 2.7	46.4 [13.60] 44.1 [12.92] 2.8	44.8 [13.13] 40.2 [11.78] 2.7	43.2 [12.66] 36.5 [10.70] 2.7
	85 [29.4]	Total BTUH [kW] Sens BTUH [kW] Power	51.3 [15.03] 31.1 [9.11] 3.0	49.5 [14.51] 28.4 [8.32] 2.9	47.7 [13.98] 25.8 [7.56] 2.9	48.2 [14.13] 37.9 [11.11] 3.0	46.5 [13.63] 34.7 [10.17] 2.9	44.9 [13.16] 31.5 [9.23] 2.9	45.0 [13.19] 43.6 [12.78] 3.0	43.4 [12.72] 39.7 [11.63] 2.9	41.8 [12.25] 36.0 [10.55] 2.9
	90 [32.2]	Total BTUH [kW] Sens BTUH [kW] Power	49.8 [14.59] 30.3 [8.88] 3.1	48.0 [14.07] 27.7 [8.12] 3.1	46.3 [13.57] 25.1 [7.36] 3.0	46.7 [13.69] 37.2 [10.90] 3.1	45.0 [13.19] 34.0 [9.96] 3.1	43.4 [12.72] 30.8 [9.03] 3.0	43.4 [12.72] 42.7 [12.51] 3.1	41.9 [12.28] 39.0 [11.43] 3.1	40.3 [11.81] 35.4 [10.37] 3.0
	95 [35]	Total BTUH [kW] Sens BTUH [kW] Power	48.1 [14.10] 29.4 [8.62] 3.3	46.4 [13.60] 26.9 [7.88] 3.3	44.7 [13.10] 24.4 [7.15] 3.2	45.0 [13.19] 36.2 [10.61] 3.3	43.4 [12.72] 33.1 [9.70] 3.2	41.8 [12.25] 30.1 [8.82] 3.2	41.7 [12.22] 41.7 [12.22] 3.3	40.2 [11.78] 38.2 [11.20] 3.2	38.8 [11.37] 34.6 [10.14] 3.2
	100 [37.8]	Total BTUH [kW] Sens BTUH [kW] Power	46.3 [13.57] 28.4 [8.32] 3.5	44.7 [13.10] 26.0 [7.62] 3.4	43.1 [12.63] 23.6 [6.92] 3.4	43.2 [12.66] 35.2 [10.32] 3.5	41.7 [12.22] 32.2 [9.44] 3.4	40.2 [11.78] 29.2 [8.56] 3.3	40.0 [11.72] 40.0 [11.72] 3.5	38.6 [11.31] 37.3 [10.93] 3.4	37.2 [10.90] 33.8 [9.91] 3.3
	105 [40.6]	Total BTUH [kW] Sens BTUH [kW] Power	44.6 [13.07] 27.4 [8.03] 3.6	43.0 [12.60] 25.1 [7.36] 3.6	41.4 [12.13] 22.7 [6.65] 3.5	41.5 [12.16] 34.2 [10.02] 3.6	40.0 [11.72] 31.3 [9.17] 3.6	38.6 [11.31] 28.4 [8.32] 3.5	38.2 [11.20] 38.2 [11.20] 3.6	36.9 [10.81] 36.3 [10.64] 3.6	35.5 [10.40] 33.0 [9.67] 3.5
	110 [43.3]	Total BTUH [kW] Sens BTUH [kW] Power	42.8 [12.54] 26.4 [7.74] 3.8	41.3 [12.10] 24.2 [7.09] 3.7	39.8 [11.66] 21.9 [6.42] 3.7	39.7 [11.63] 33.3 [9.76] 3.8	38.3 [11.22] 30.4 [8.91] 3.7	36.9 [10.81] 27.6 [8.09] 3.7	36.4 [10.67] 36.4 [10.67] 3.8	35.2 [10.32] 35.2 [10.32] 3.7	33.9 [9.94] 32.2 [9.44] 3.7
	115 [46.1]	Total BTUH [kW] Sens BTUH [kW] Power	41.1 [12.05] 25.6 [7.50] 4.0	39.7 [11.63] 23.4 [6.86] 3.9	38.2 [11.20] 21.3 [6.24] 3.8	38.0 [11.14] 32.5 [9.52] 4.0	36.7 [10.76] 29.7 [8.70] 3.9	35.4 [10.37] 26.9 [7.88] 3.8	34.7 [10.17] 34.7 [10.17] 4.0	33.5 [9.82] 33.5 [9.82] 3.9	32.3 [9.47] 31.5 [9.23] 3.8

DR —Depression ratio
dbE—Entering air dry bulb
wbE—Entering air wet bulb

Total —Total capacity x 1000 BTUH
Sens —Sensible capacity x 1000 BTUH
Power—KW input

NOTES:

① When the entering air dry bulb is other than 80°F [27°C], adjust the sensible capacity from the table by adding $[1.10 \times \text{CFM} \times (1 - \text{DR}) \times (\text{dbE} - 80)]$.

HEATING PERFORMANCE DATA—RJPL-A042

		60°F [15.5°C]			70°F [21.1°C]			80°F [26.7°C]			
IDB		1680 [793]	1400 [661]	1120 [529]	1680 [793]	1400 [661]	1120 [529]	1680 [793]	1400 [661]	1120 [529]	
CFM [L/s]		1680 [793]	1400 [661]	1120 [529]	1680 [793]	1400 [661]	1120 [529]	1680 [793]	1400 [661]	1120 [529]	
OUTDOOR DRY BULB TEMPERATURE °F [°C]	0 [-17.8]	Total BTUH [kW] Power	15.4 [4.51] 2.0	15.2 [4.45] 2.0	15.0 [4.40] 2.1	13.9 [4.07] 2.3	13.8 [4.04] 2.3	13.6 [3.99] 2.4	12.6 [3.69] 2.6	12.4 [3.63] 2.7	12.2 [3.58] 2.8
	5 [26.7]	Total BTUH [kW] Power	17.9 [5.25] 2.0	17.6 [5.16] 2.1	17.3 [5.07] 2.1	16.4 [4.81] 2.3	16.2 [4.75] 2.4	15.9 [4.66] 2.5	15.0 [4.40] 2.7	14.8 [4.34] 2.7	14.6 [4.28] 2.8
	10 [-12.2]	Total BTUH [kW] Power	20.3 [5.95] 2.1	20.1 [5.89] 2.1	19.8 [5.80] 2.2	18.9 [5.54] 2.4	18.6 [5.45] 2.4	18.3 [5.36] 2.5	17.5 [5.13] 2.7	17.2 [5.04] 2.8	17.0 [4.98] 2.9
	15 [32.2]	Total BTUH [kW] Power	22.9 [6.71] 2.1	22.6 [6.62] 2.2	22.3 [6.54] 2.2	21.4 [6.27] 2.4	21.1 [6.18] 2.5	20.8 [6.10] 2.6	20.0 [5.86] 2.8	19.8 [5.80] 2.8	19.5 [5.71] 2.9
	20 [-6.6]	Total BTUH [kW] Power	25.5 [7.47] 2.2	25.2 [7.39] 2.2	24.8 [7.27] 2.3	24.0 [7.03] 2.5	23.7 [6.95] 2.5	23.4 [6.86] 2.6	22.7 [6.65] 2.8	22.3 [6.54] 2.9	22.0 [6.45] 3.0
	25 [37.8]	Total BTUH [kW] Power	28.2 [8.26] 2.2	27.8 [8.15] 2.3	27.4 [8.03] 2.3	26.7 [7.83] 2.5	26.3 [7.71] 2.6	26.0 [7.62] 2.7	25.3 [7.41] 2.9	25.0 [7.33] 2.9	24.6 [7.21] 3.0
	30 [-1.1]	Total BTUH [kW] Power	30.9 [9.06] 2.3	30.5 [8.94] 2.3	30.1 [8.82] 2.4	29.5 [8.65] 2.6	29.0 [8.50] 2.6	28.6 [8.38] 2.7	28.1 [8.24] 2.9	27.7 [8.12] 3.0	27.3 [8.00] 3.1
	35 [43.3]	Total BTUH [kW] Power	33.7 [9.88] 2.3	33.2 [9.73] 2.4	32.8 [9.61] 2.4	32.2 [9.44] 2.6	31.8 [9.32] 2.7	31.3 [9.17] 2.8	30.8 [9.03] 3.0	30.4 [8.91] 3.0	30.0 [8.79] 3.1
	40 [4.4]	Total BTUH [kW] Power	36.6 [10.73] 2.4	36.0 [10.55] 2.4	35.5 [10.40] 2.5	35.1 [10.29] 2.7	34.6 [10.14] 2.7	34.1 [9.99] 2.8	33.7 [9.88] 3.0	33.2 [9.73] 3.1	32.7 [9.58] 3.2
	45 [46.1]	Total BTUH [kW] Power	39.5 [11.58] 2.4	38.9 [11.40] 2.5	38.4 [11.25] 2.5	38.0 [11.14] 2.7	37.5 [10.99] 2.8	36.9 [10.81] 2.9	36.6 [10.73] 3.1	36.1 [10.58] 3.1	35.6 [10.43] 3.2
50 [10]	Total BTUH [kW] Power	42.4 [12.43] 2.5	41.8 [12.25] 2.5	41.2 [12.07] 2.6	41.0 [12.02] 2.8	40.4 [11.84] 2.8	39.8 [11.66] 2.9	39.6 [11.61] 3.1	39.0 [11.43] 3.2	38.5 [11.28] 3.3	

IDB—Indoor air dry bulb

[] Designates Metric Conversions



COOLING PERFORMANCE DATA—RJPL-A048

		ENTERING INDOOR AIR @ 80°F [26.7°C] dbE ①									
wbE		71°F [21.7°C]			67°F [19.4°C]			63°F [17.2°C]			
CFM [L/s]		1920 [906]	1600 [755]	1280 [604]	1920 [906]	1600 [755]	1280 [604]	1920 [906]	1600 [755]	1280 [604]	
DR ①		.18	.15	.11	.18	.15	.11	.18	.15	.11	
OUTDOOR DRY BULB TEMPERATURE °F [°C]	75 [23.9]	Total BTUH [kW] Sens BTUH [kW] Power	62.7 [18.38] 38.4 [11.25] 2.9	60.5 [17.73] 35.1 [10.29] 2.8	58.3 [17.09] 31.8 [9.32] 2.8	59.2 [17.35] 45.6 [13.36] 2.9	57.1 [16.73] 41.7 [12.22] 2.8	55.0 [16.12] 37.8 [11.08] 2.8	57.6 [16.88] 51.8 [15.18] 2.8	55.6 [16.29] 47.4 [13.89] 2.8	53.6 [15.71] 42.9 [12.57] 2.7
	80 [26.7]	Total BTUH [kW] Sens BTUH [kW] Power	60.5 [17.73] 37.2 [10.90] 3.1	58.4 [17.12] 34.0 [9.96] 3.0	56.2 [16.47] 30.8 [9.03] 3.0	57.0 [16.71] 44.4 [13.01] 3.1	55.0 [16.12] 40.7 [11.93] 3.0	53.0 [15.53] 36.9 [10.81] 3.0	55.4 [16.24] 50.6 [14.83] 3.0	53.5 [15.68] 46.3 [13.57] 3.0	51.6 [15.12] 42.0 [12.31] 2.9
	85 [29.4]	Total BTUH [kW] Sens BTUH [kW] Power	58.4 [17.12] 36.1 [10.58] 3.3	56.3 [16.50] 33.0 [9.67] 3.2	54.3 [15.91] 29.9 [8.76] 3.2	54.9 [16.09] 43.4 [12.72] 3.3	52.9 [15.50] 39.7 [11.63] 3.2	51.0 [14.95] 36.0 [10.55] 3.1	53.4 [15.65] 49.5 [14.51] 3.2	51.5 [15.09] 45.3 [13.28] 3.2	49.6 [14.54] 41.1 [12.05] 3.1
	90 [32.2]	Total BTUH [kW] Sens BTUH [kW] Power	56.4 [16.53] 35.1 [10.29] 3.5	54.4 [15.94] 32.1 [9.41] 3.4	52.4 [15.36] 29.1 [8.53] 3.4	52.9 [15.50] 42.4 [12.43] 3.4	51.0 [14.95] 38.8 [11.37] 3.4	49.2 [14.42] 35.1 [10.29] 3.3	51.4 [15.06] 48.5 [14.21] 3.4	49.6 [14.54] 44.4 [13.01] 3.4	47.8 [14.01] 40.2 [11.78] 3.3
	95 [35]	Total BTUH [kW] Sens BTUH [kW] Power	54.5 [15.97] 34.2 [10.02] 3.7	52.6 [15.42] 31.3 [9.17] 3.6	50.7 [14.86] 28.4 [8.32] 3.5	51.0 [14.95] 41.5 [12.16] 3.6	49.2 [14.42] 37.9 [11.11] 3.6	47.5 [13.92] 34.4 [10.08] 3.5	49.5 [14.51] 47.6 [13.95] 3.6	47.8 [14.01] 43.6 [12.78] 3.5	46.0 [13.48] 39.5 [11.58] 3.5
	100 [37.8]	Total BTUH [kW] Sens BTUH [kW] Power	52.8 [15.47] 33.4 [9.79] 3.9	50.9 [14.92] 30.5 [8.94] 3.8	49.1 [14.39] 27.7 [8.12] 3.7	49.3 [14.45] 40.7 [11.93] 3.8	47.6 [13.95] 37.2 [10.90] 3.8	45.8 [13.42] 33.7 [9.88] 3.7	47.8 [14.01] 46.8 [13.72] 3.8	46.1 [13.51] 42.8 [12.54] 3.7	44.4 [13.01] 38.8 [11.37] 3.7
	105 [40.6]	Total BTUH [kW] Sens BTUH [kW] Power	51.2 [15.01] 32.7 [9.58] 4.0	49.4 [14.48] 29.9 [8.76] 4.0	47.6 [13.95] 27.1 [7.94] 3.9	47.7 [13.98] 39.9 [11.69] 4.0	46.0 [13.48] 36.5 [10.70] 4.0	44.3 [12.98] 33.1 [9.70] 3.9	46.2 [13.54] 46.1 [13.51] 4.0	44.5 [13.04] 42.2 [12.37] 3.9	42.9 [12.57] 38.2 [11.20] 3.9
	110 [43.3]	Total BTUH [kW] Sens BTUH [kW] Power	49.7 [14.57] 32.0 [9.38] 4.2	47.9 [14.04] 29.3 [8.59] 4.2	46.2 [13.54] 26.5 [7.77] 4.1	46.2 [13.54] 39.3 [11.52] 4.2	44.6 [13.07] 35.9 [10.52] 4.1	42.9 [12.57] 32.6 [9.55] 4.1	44.7 [13.10] 44.7 [13.10] 4.2	43.1 [12.63] 41.5 [12.16] 4.1	41.5 [12.16] 37.7 [11.05] 4.0
	115 [46.1]	Total BTUH [kW] Sens BTUH [kW] Power	48.3 [14.16] 31.4 [9.20] 4.4	46.6 [13.66] 28.7 [8.41] 4.4	44.9 [13.16] 26.0 [7.62] 4.3	44.8 [13.13] 38.7 [11.34] 4.4	43.2 [12.66] 35.4 [10.37] 4.3	41.7 [12.22] 32.1 [9.41] 4.3	43.3 [12.69] 43.3 [12.69] 4.4	41.8 [12.25] 41.0 [12.02] 4.3	40.3 [11.81] 37.2 [10.90] 4.2

DR —Depression ratio
dbE—Entering air dry bulb
wbE—Entering air wet bulb

Total —Total capacity x 1000 BTUH
Sens —Sensible capacity x 1000 BTUH
Power—KW input

NOTES:

① When the entering air dry bulb is other than 80°F [27°C], adjust the sensible capacity from the table by adding [1.10 x CFM x (1 – DR) x (dbE – 80)].

HEATING PERFORMANCE DATA—RJPL-A048

		60°F [15.5°C]			70°F [21.1°C]			80°F [26.7°C]			
IDB		1920 [906]	1600 [755]	1280 [604]	1920 [906]	1600 [755]	1280 [604]	1920 [906]	1600 [755]	1280 [604]	
OUTDOOR DRY BULB TEMPERATURE °F [°C]	0 [-17.8]	Total BTUH [kW] Power	17.9 [5.25] 2.4	17.6 [5.16] 2.4	17.3 [5.07] 2.5	15.9 [4.66] 2.7	15.7 [4.60] 2.8	15.5 [4.54] 2.9	14.3 [4.19] 3.2	14.1 [4.13] 3.2	13.9 [4.07] 3.3
	5 [26.7]	Total BTUH [kW] Power	21.2 [6.21] 2.4	20.9 [6.13] 2.5	20.6 [6.04] 2.5	19.3 [5.66] 2.8	19.0 [5.57] 2.9	18.7 [5.48] 2.9	17.7 [5.19] 3.2	17.4 [5.10] 3.3	17.2 [5.04] 3.4
	10 [-12.2]	Total BTUH [kW] Power	24.6 [7.21] 2.5	24.2 [7.09] 2.5	23.9 [7.00] 2.6	22.6 [6.62] 2.8	22.3 [6.54] 2.9	22.0 [6.45] 3.0	21.0 [6.15] 3.2	20.7 [6.07] 3.3	20.4 [5.98] 3.4
	15 [32.2]	Total BTUH [kW] Power	27.9 [8.18] 2.5	27.5 [8.06] 2.6	27.1 [7.94] 2.6	26.0 [7.62] 2.9	25.6 [7.50] 2.9	25.3 [7.41] 3.0	24.4 [7.15] 3.3	24.1 [7.06] 3.4	23.7 [6.95] 3.5
	20 [-6.6]	Total BTUH [kW] Power	31.3 [9.17] 2.6	30.9 [9.06] 2.6	30.4 [8.91] 2.7	29.4 [8.62] 2.9	29.0 [8.50] 3.0	28.6 [8.38] 3.1	27.8 [8.15] 3.3	27.4 [8.03] 3.4	27.0 [7.91] 3.5
	25 [37.8]	Total BTUH [kW] Power	34.7 [10.17] 2.6	34.2 [10.02] 2.7	33.7 [9.88] 2.7	32.8 [9.61] 3.0	32.3 [9.47] 3.0	31.9 [9.35] 3.1	31.2 [9.14] 3.4	30.8 [9.03] 3.5	30.3 [8.88] 3.6
	30 [-1.1]	Total BTUH [kW] Power	38.1 [11.17] 2.7	37.6 [11.02] 2.7	37.1 [10.87] 2.8	36.2 [10.61] 3.0	35.7 [10.46] 3.1	35.2 [10.32] 3.2	34.6 [10.14] 3.4	34.1 [9.99] 3.5	33.7 [9.88] 3.6
	35 [43.3]	Total BTUH [kW] Power	41.6 [12.19] 2.7	41.0 [12.02] 2.8	40.4 [11.84] 2.8	39.7 [11.63] 3.1	39.1 [11.46] 3.1	38.5 [11.28] 3.2	38.1 [11.17] 3.5	37.5 [10.99] 3.6	37.0 [10.84] 3.7
	40 [4.4]	Total BTUH [kW] Power	45.0 [13.19] 2.7	44.4 [13.01] 2.8	43.8 [12.84] 2.9	43.1 [12.63] 3.1	42.5 [12.46] 3.2	41.9 [12.28] 3.3	41.5 [12.16] 3.5	40.9 [11.99] 3.6	40.4 [11.84] 3.7
	45 [46.1]	Total BTUH [kW] Power	48.5 [14.21] 2.8	47.8 [14.01] 2.9	47.1 [13.80] 2.9	46.6 [13.66] 3.1	45.9 [13.45] 3.2	45.3 [13.28] 3.3	45.0 [13.19] 3.6	44.4 [13.01] 3.7	43.7 [12.81] 3.7
50 [10]	Total BTUH [kW] Power	52.0 [15.24] 2.8	51.3 [15.03] 2.9	50.5 [14.80] 3.0	50.1 [14.68] 3.2	49.4 [14.48] 3.3	48.7 [14.27] 3.4	48.5 [14.21] 3.6	47.8 [14.01] 3.7	47.1 [13.80] 3.8	

IDB—Indoor air dry bulb

[] Designates Metric Conversions

SYSTEMS PERFORMANCE—RJPL- SERIES



COOLING PERFORMANCE DATA—RJPL-A060

		ENTERING INDOOR AIR @ 80°F [26.7°C] dbE ①									
		71°F [21.7°C]			67°F [19.4°C]			63°F [17.2°C]			
		CFM [L/s]	2220 [1048]	1850 [873]	1480 [698]	2220 [1048]	1850 [873]	1480 [698]	2220 [1048]	1850 [873]	1480 [698]
		DR ①	.15	.12	.08	.15	.12	.08	.15	.12	.08
OUTDOOR DRY BULB TEMPERATURE °F [°C]	75 [23.9]	Total BTUH [kW]	73.6 [21.57]	71.0 [20.81]	68.4 [20.05]	70.2 [20.57]	67.7 [19.84]	65.3 [19.14]	66.4 [19.46]	64.1 [18.79]	61.8 [18.11]
		Sens BTUH [kW]	43.9 [12.87]	40.1 [11.75]	36.4 [10.67]	53.2 [15.59]	48.7 [14.27]	44.1 [12.92]	61.1 [17.91]	55.9 [16.38]	50.7 [14.86]
		Power	3.8	3.7	3.6	3.7	3.6	3.6	3.7	3.6	3.5
	80 [26.7]	Total BTUH [kW]	72.7 [21.31]	70.2 [20.57]	67.6 [19.81]	69.4 [20.34]	67.0 [19.64]	64.5 [18.90]	65.6 [19.23]	63.3 [18.55]	61.0 [17.88]
		Sens BTUH [kW]	43.1 [12.63]	39.4 [11.55]	35.7 [10.46]	52.4 [15.36]	47.9 [14.04]	43.5 [12.75]	60.3 [17.67]	55.2 [16.18]	50.0 [14.65]
		Power	4.0	3.9	3.9	3.9	3.9	3.8	3.9	3.8	3.8
	85 [29.4]	Total BTUH [kW]	71.2 [20.87]	68.7 [20.13]	66.2 [19.40]	67.9 [19.90]	65.5 [19.20]	63.1 [18.49]	64.1 [18.79]	61.8 [18.11]	59.6 [17.47]
		Sens BTUH [kW]	42.2 [12.37]	38.6 [11.31]	35.0 [10.26]	51.5 [15.09]	47.1 [13.80]	42.7 [12.51]	59.5 [17.44]	54.4 [15.94]	49.3 [14.45]
		Power	4.2	4.1	4.1	4.2	4.1	4.0	4.1	4.1	4.0
	90 [32.2]	Total BTUH [kW]	69.2 [20.28]	66.8 [19.58]	64.3 [18.84]	65.8 [19.28]	63.5 [18.61]	61.2 [17.94]	62.1 [18.20]	59.9 [17.55]	57.7 [16.91]
Sens BTUH [kW]		41.3 [12.10]	37.7 [11.05]	34.2 [10.02]	50.6 [14.83]	46.3 [13.57]	42.0 [12.31]	58.4 [17.12]	53.5 [15.68]	48.5 [14.21]	
Power		4.4	4.4	4.3	4.4	4.3	4.2	4.4	4.3	4.2	
95 [35]	Total BTUH [kW]	66.8 [19.58]	64.5 [18.90]	62.1 [18.20]	63.5 [18.61]	61.2 [17.94]	59.0 [17.29]	59.7 [17.50]	57.6 [16.88]	55.5 [16.27]	
	Sens BTUH [kW]	40.2 [11.78]	36.8 [10.79]	33.4 [9.79]	49.6 [14.54]	45.3 [13.28]	41.1 [12.05]	57.7 [16.91]	52.6 [15.42]	47.7 [13.98]	
	Power	4.7	4.6	4.5	4.6	4.5	4.5	4.6	4.5	4.4	
100 [37.8]	Total BTUH [kW]	64.3 [18.84]	62.0 [18.17]	59.7 [17.50]	60.9 [17.85]	58.8 [17.23]	56.6 [16.59]	57.1 [16.73]	55.1 [16.15]	53.1 [15.56]	
	Sens BTUH [kW]	39.2 [11.49]	35.8 [10.49]	32.5 [9.52]	48.5 [14.21]	44.4 [13.01]	40.2 [11.78]	56.3 [16.50]	51.6 [15.12]	46.8 [13.72]	
	Power	4.9	4.8	4.7	4.8	4.8	4.7	4.8	4.7	4.6	
105 [40.6]	Total BTUH [kW]	61.7 [18.08]	59.5 [17.44]	57.3 [16.79]	58.3 [17.09]	56.3 [16.50]	54.2 [15.88]	54.5 [15.97]	52.6 [15.42]	50.7 [14.86]	
	Sens BTUH [kW]	38.1 [11.17]	34.8 [10.20]	31.6 [9.26]	47.4 [13.89]	43.3 [12.69]	39.3 [11.52]	54.5 [15.97]	50.6 [14.83]	45.9 [13.45]	
	Power	5.1	5.0	5.0	5.1	5.0	4.9	5.0	5.0	4.9	
110 [43.3]	Total BTUH [kW]	59.2 [17.35]	57.2 [16.76]	55.1 [16.15]	55.9 [16.38]	53.9 [15.80]	52.0 [15.24]	52.1 [15.27]	50.3 [14.74]	48.4 [14.18]	
	Sens BTUH [kW]	36.9 [10.81]	33.8 [9.91]	30.6 [8.97]	46.3 [13.57]	42.3 [12.40]	38.4 [11.25]	52.1 [15.27]	49.5 [14.51]	44.9 [13.16]	
	Power	5.3	5.3	5.2	5.3	5.2	5.1	5.3	5.2	5.1	
115 [46.1]	Total BTUH [kW]	57.1 [16.73]	55.1 [16.15]	53.1 [15.56]	53.8 [15.77]	51.9 [15.21]	50.0 [14.65]	50.0 [14.65]	48.2 [14.13]	46.5 [13.63]	
	Sens BTUH [kW]	35.8 [10.49]	32.7 [9.58]	29.7 [8.70]	45.1 [13.22]	41.2 [12.07]	37.4 [10.96]	50.0 [14.65]	48.2 [14.13]	44.0 [12.90]	
	Power	5.6	5.5	5.4	5.5	5.4	5.3	5.5	5.4	5.3	

DR —Depression ratio
 dbE—Entering air dry bulb
 wbE—Entering air wet bulb

Total —Total capacity x 1000 BTUH
 Sens —Sensible capacity x 1000 BTUH
 Power—kW input

NOTES:
 ① When the entering air dry bulb is other than 80°F [27°C], adjust the sensible capacity from the table by adding [1.10 x CFM x (1 – DR) x (dbE – 80)].

HEATING PERFORMANCE DATA—RJPL-A060

		IDB	60°F [15.5°C]			70°F [21.1°C]			80°F [26.7°C]		
		CFM [L/s]	2220 [1048]	1850 [873]	1480 [698]	2220 [1048]	1850 [873]	1480 [698]	2220 [1048]	1850 [873]	1480 [698]
OUTDOOR DRY BULB TEMPERATURE °F [°C]	0 [-17.8]	Total BTUH [kW]	22.9 [6.71]	22.6 [6.62]	22.3 [6.54]	21.6 [6.33]	21.3 [6.24]	21.0 [6.15]	19.5 [5.71]	19.2 [5.63]	19.0 [5.57]
		Power	3.0	3.1	3.1	3.5	3.6	3.6	4.0	4.1	4.2
	5 [26.7]	Total BTUH [kW]	26.3 [7.71]	25.9 [7.59]	25.5 [7.47]	24.9 [7.30]	24.6 [7.21]	24.2 [7.09]	22.9 [6.71]	22.5 [6.59]	22.2 [6.51]
		Power	3.1	3.1	3.2	3.5	3.6	3.7	4.1	4.2	4.3
	10 [-12.2]	Total BTUH [kW]	30.1 [8.82]	29.6 [8.67]	29.2 [8.56]	28.7 [8.41]	28.3 [8.29]	27.9 [8.18]	26.7 [7.83]	26.3 [7.71]	25.9 [7.59]
		Power	3.1	3.2	3.3	3.6	3.7	3.8	4.1	4.2	4.3
	15 [32.2]	Total BTUH [kW]	34.2 [10.02]	33.7 [9.88]	33.2 [9.73]	32.9 [9.64]	32.4 [9.50]	31.9 [9.35]	30.8 [9.03]	30.4 [8.91]	29.9 [8.76]
		Power	3.2	3.3	3.4	3.7	3.8	3.9	4.2	4.3	4.4
	20 [-6.6]	Total BTUH [kW]	38.5 [11.28]	38.0 [11.14]	37.5 [10.99]	37.2 [10.90]	36.7 [10.76]	36.2 [10.61]	35.1 [10.29]	34.6 [10.14]	34.1 [9.99]
		Power	3.3	3.4	3.5	3.8	3.9	4.0	4.3	4.4	4.5
25 [37.8]	Total BTUH [kW]	42.9 [12.57]	42.3 [12.40]	41.7 [12.22]	41.6 [12.19]	41.0 [12.02]	40.4 [11.84]	39.5 [11.58]	39.0 [11.43]	38.4 [11.25]	
	Power	3.4	3.5	3.5	3.8	3.9	4.0	4.4	4.5	4.6	
30 [-1.1]	Total BTUH [kW]	47.3 [13.86]	46.6 [13.66]	46.0 [13.48]	46.0 [13.48]	45.3 [13.28]	44.7 [13.10]	43.9 [12.87]	43.3 [12.69]	42.6 [12.48]	
	Power	3.4	3.5	3.6	3.9	4.0	4.1	4.4	4.5	4.7	
35 [43.3]	Total BTUH [kW]	51.5 [15.09]	50.7 [14.86]	50.0 [14.65]	50.1 [14.68]	49.4 [14.48]	48.7 [14.27]	48.1 [14.10]	47.4 [13.89]	46.7 [13.69]	
	Power	3.5	3.6	3.7	4.0	4.1	4.2	4.5	4.6	4.7	
40 [4.4]	Total BTUH [kW]	55.3 [16.21]	54.5 [15.97]	53.8 [15.77]	54.0 [15.83]	53.2 [15.59]	52.5 [15.39]	51.9 [15.21]	51.2 [15.01]	50.5 [14.80]	
	Power	3.6	3.7	3.8	4.1	4.2	4.3	4.6	4.7	4.8	
45 [46.1]	Total BTUH [kW]	58.7 [17.20]	57.9 [16.97]	57.1 [16.73]	57.4 [16.82]	56.6 [16.59]	55.8 [16.35]	55.3 [16.21]	54.6 [16.00]	53.8 [15.77]	
	Power	3.7	3.8	3.9	4.2	4.3	4.4	4.7	4.8	4.9	
50 [10]	Total BTUH [kW]	61.6 [18.05]	60.7 [17.79]	59.9 [17.55]	60.3 [17.67]	59.4 [17.41]	58.6 [17.17]	58.2 [17.06]	57.4 [16.82]	56.6 [16.59]	
	Power	3.8	3.8	3.9	4.2	4.3	4.4	4.7	4.9	5.0	

IDB—Indoor air dry bulb

[] Designates Metric Conversions



DIRECT-DRIVE BLOWER 208 AIRFLOW PERFORMANCE

Nominal Cooling Capacity Tons [kW]	Factory Motor Speed	Manufacturer Recommended Air-Flow Range (Min/Max) CFM	Blower Size/ Motor HP [w] & # of Speeds	Motor Speed	CFM [L/s] Air Delivery/RPM/Watts—208 Volts Side Discharge—Wet Coil														
					External Static Pressure—Inches W.C. [kPa]														
					0.1 [0.02]	0.2 [0.05]	0.3 [0.07]	0.4 [0.10]	0.5 [0.12]	0.6 [0.15]	0.7 [0.17]	0.8 [0.20]	0.9 [0.22]	1.0 [0.25]					
3.0 [10.55]	Low	1050/1350	10x10 1/2 HP [373] 3 Speed Motor	Low	CFM	1275 [602]	1235 [583]	1210 [571]	1181 [557]	1132 [534]	1045 [493]								
				Watts	493	481	468	452	431	402									
3.5 [12.30]	Low	1225/1575	10x10 1/2 HP [373] 3 Speed Motor	Med	CFM	1397 [659]	1344 [634]	1319 [622]	1297 [612]	1249 [589]	1147 [541]								
				Watts	561	537	522	508	488	454									
4.0 [14.07]	Low	1400/1800	10x10 1/2 HP [373] 3 Speed Motor	High	CFM	1766 [833]	1719 [811]	1671 [789]	1617 [763]	1550 [732]	1465 [691]								
				Watts	735	719	697	671	639	603									
5.0 [17.6]	Low	1750/2250	11x9 1 HP [746] 2 Speed Motor (X13 Motor)	Low	CFM	1974 [932]	1935 [913]	1897 [895]	1860 [878]	1823 [860]	1788 [844]	1753 [827]	1719 [811]	1686 [796]					
				Watts	490	505	510	545	555	575	600	605	625						
				High	CFM	2185 [1031]	2148 [1014]	2112 [997]	2076 [980]	2040 [963]	2005 [946]	1970 [930]	1935 [913]	1900 [897]					
					Watts	675	685	700	720	735	750	770	780	805					

DIRECT-DRIVE BLOWER 230/460 AIRFLOW PERFORMANCE

Nominal Cooling Capacity Tons [kW]	Factory Motor Speed	Manufacturer Recommended Air-Flow Range (Min/Max) CFM	Blower Size/ Motor HP [w] & # of Speeds	Motor Speed	CFM [L/s] Air Delivery/RPM/Watts—230/460 Volts Side Discharge—Wet Coil														
					External Static Pressure—Inches W.C. [kPa]														
					0.1 [0.02]	0.2 [0.05]	0.3 [0.07]	0.4 [0.10]	0.5 [0.12]	0.6 [0.15]	0.7 [0.17]	0.8 [0.20]	0.9 [0.22]	1.0 [0.25]					
3.0 [10.55]	Low	1050/1350	10x10 1/2 HP [373] 3 Speed Motor	Low	CFM	1455 [687]	1423 [672]	1388 [655]	1345 [635]	1289 [608]	1214 [573]								
				Watts	578	565	549	528	502	472									
3.5 [12.30]	Med.	1225/1575	10x10 1/2 HP [373] 3 Speed Motor	Med	CFM	1601 [756]	1561 [737]	1517 [716]	1466 [692]	1401 [661]	1317 [622]								
				Watts	659	636	613	589	562	529									
4.0 [14.07]	High	1400/1800	10x10 1/2 HP [373] 3 Speed Motor	Med	CFM	1964 [927]	1902 [898]	1839 [868]	1771 [836]	1693 [799]	1602 [756]								
				Watts	847	811	780	751	721	688									
5.0* [17.6]	Low	1750/2250	11x9 1 HP [746] 2 Speed Motor (X-13 Motor)	Low	CFM	1974 [932]	1935 [913]	1897 [895]	1860 [878]	1823 [860]	1788 [844]	1753 [827]	1719 [811]	1686 [796]					
				Watts	490	505	510	545	555	575	600	605	625						
				High	CFM	2185 [1031]	2148 [1014]	2112 [997]	2076 [980]	2040 [963]	2005 [946]	1970 [930]	1935 [913]	1900 [897]					
					Watts	675	685	700	720	735	750	770	780	805					

[*] Designates Metric Conversions



DIRECT-DRIVE BLOWER 208/230/460 AIRFLOW PERFORMANCE

Nominal Cooling Capacity Tons [kW]	Factory Motor Speed	Manufacturer Recommended Air-Flow Range (Min/Max) CFM	Blower Size/ Motor HP [w] & # of Speeds	Motor Speed	CFM [L/s] Air Delivery/RPM/Watts—208/230/460 Volts											
					External Static Pressure—Inches W.C. [kPa]											
					0.1 [1.02]	0.2 [1.05]	0.3 [1.07]	0.4 [1.10]	0.5 [1.12]	0.6 [1.15]	0.7 [1.17]	0.8 [1.20]	0.9 [1.22]	1.0 [1.25]		
3.0 [10.55]	Low (Tap 2)	1050/1350	10x10 1/2 HP [373] 2-Speed (X-13 Motor)	Low	CFM	1448 [683]	1413 [667]	1367 [645]	1325 [625]	1285 [606]	1242 [586]	1196 [564]	1106 [522]	1006 [475]		
					RPM	674	720	771	818	862	907	953	1019	1091		
	Watts	230	245	260	274	288	301	314	330	350						
	CFM	1618 [764]	1577 [744]	1516 [715]	1482 [699]	1443 [681]	1395 [658]	1359 [641]	1312 [619]	1261 [595]	1042 [492]					
				High	RPM	712	755	807	851	894	941	978	1019	1061	1137	
					Watts	299	315	332	350	364	380	391	402	414	392	
3.5 [12.30]	Low (Tap 2)	1225/1575	10x10 3/4 HP [559] 2-Speed (X-13 Motor)	Low	CFM	1641 [774]	1603 [757]	1570 [741]	1534 [724]	1504 [710]	1468 [693]	1410 [665]	1359 [641]	1316 [621]	1252 [591]	
					RPM	724	764	806	852	895	933	985	1032	1076	1132	
	Watts	292	307	323	343	363	377	396	412	430	446					
	CFM	1735 [819]	1704 [804]	1674 [790]	1631 [770]	1598 [754]	1560 [736]	1527 [721]	1481 [699]	1437 [678]	1336 [631]					
				High	RPM	755	796	835	879	917	956	995	1044	1084	1133	
					Watts	340	360	378	396	411	427	443	464	479	482	
4.0 [14.07]	Low (Tap 2)	1400/1800	10x10 3/4 HP [559] 2-Speed (X-13 Motor)	Low	CFM	1771 [836]	1739 [821]	1708 [806]	1670 [788]	1642 [775]	1607 [758]	1568 [740]	1511 [713]	1236 [583]		
					RPM	848	890	925	963	996	1032	1076	1121	1161		
	Watts	422	445	462	478	493	509	529	544	460						
	CFM	1954 [922]	1908 [900]	1878 [886]	1840 [868]	1797 [848]	1771 [836]	1692 [799]	1603 [757]	1457 [688]						
				High	RPM	914	949	984	1016	1055	1083	1114	1133	1154		
					Watts	547	565	585	601	619	634	634	605	550		
5.0 [17.6]	Low (Tap 2)	1750/2250	10x10 1 HP [746] 2-Speed (X-13 Motor)	Low	CFM	1914 [903]	1882 [888]	1851 [874]	1817 [858]	1783 [841]	1753 [827]	1703 [804]	1688 [797]			
					RPM	778	805	835	861	894	926	959	988			
	Watts	496	514	533	544	565	584	604	618							
	CFM	2185 [1031]	2148 [1014]	2112 [997]	2076 [980]	2040 [963]	2005 [946]	1970 [930]	1935 [913]	1900 [897]						
				High	RPM	846	871	895	920	950	984	1008	1042	1061		
					Watts	675	685	700	720	735	750	770	780	805		

[] Designates Metric Conversions



BELT-DRIVE AIRFLOW PERFORMANCE

Models RJNL/RJPL-A036 (10.55 kW) & A042 (12.31 kW)—Heat Pump (13 SEER)		External Static Pressure—Inches of Water [kPa]																												
		0.1 [.02]		0.2 [.05]		0.3 [.07]		0.4 [.10]		0.5 [.12]		0.6 [.15]		0.7 [.17]		0.8 [.20]		0.9 [.22]		1.0 [.25]		1.1 [.27]		1.2 [.30]		1.3 [.32]		1.4 [.35]		1.5 [.37]
Air Flow CFM [L/s]	W	RPM	W	RPM	W	RPM	W	RPM	W	RPM	W	RPM	W	RPM	W	RPM	W	RPM	W	RPM	W	RPM	W	RPM	W	RPM	W	RPM	W	RPM
900 [425]	—	—	—	—	665	290	730	300	780	315	830	330	875	360	920	375	960	390	990	410	1040	445	1080	470	1140	510	1190	540	1235	590
1000 [472]	—	—	625	275	680	295	750	310	805	325	850	345	895	375	935	390	970	410	1015	435	1065	465	1100	500	1160	530	1210	560	1255	610
1100 [519]	—	—	640	300	710	315	780	325	830	340	875	365	915	390	955	405	990	430	1040	455	1080	485	1115	540	1180	540	1230	600	1270	630
1200 [566]	—	—	670	315	735	330	800	345	850	365	890	385	935	410	975	430	1010	450	1060	475	1100	520	1145	560	1200	600	1250	650	1285	660
1300 [614]	625	315	700	330	770	350	830	370	875	400	915	415	955	440	995	450	1040	495	1085	530	1125	565	1165	590	1220	645	1260	675	1305	710
1400 [661]	655	340	730	365	795	385	850	400	890	430	935	445	975	470	1010	500	1070	540	1110	575	1150	615	1195	645	1230	685	1280	725	1325	760
1500 [708]	685	380	755	390	825	415	870	435	915	450	955	480	990	505	1040	545	1090	590	1135	630	1180	660	1220	720	1255	740	1295	785	1350	820
1600 [755]	730	420	790	435	850	455	890	490	935	505	970	525	1005	550	1075	605	1110	640	1160	680	1200	730	1245	780	1280	800	1325	840	1365	885
1700 [802]	755	465	825	475	875	505	915	955	550	985	570	1040	630	1100	685	1135	710	1185	750	800	1225	800	1265	830	1295	875	1350	910	—	—
1800 [850]	790	500	850	530	890	550	935	570	975	600	1020	650	1080	690	1125	740	1165	770	1210	830	1245	870	1290	910	1310	930	—	—	—	—

NOTE: Bold lines separate L, M and N drives respectively.

Drive Package	L						M						N (Field-Supplied)					
	1/2 [373]	3/4 [559]	- 575V	3/4 [559]	6.4 Pitch Diameter	6.4 Pitch Diameter	3/4 [559]	6.4 Pitch Diameter	6.4 Pitch Diameter	Adjustable 3.4-4.4 Pitch Diameter	Adjustable 3.4-4.4 Pitch Diameter	Adjustable 4.0-5.0 Pitch Diameter	Adjustable 4.0-5.0 Pitch Diameter	Adjustable 4.0-5.0 Pitch Diameter	Adjustable 4.0-5.0 Pitch Diameter	RPM Range 1090-1365		
Turns Open	0	1	2	3	4	5	6	0	1	2	3	4	5	6				
RPM	935	875	830	780	730	680	625	1295	1230	1185	1135	1085	1000	955				

Factory sheave settings are shown in bold print.

BELT-DRIVE AIRFLOW PERFORMANCE

Models RJNL/RJPL-A048 (14.06 kW)—Heat Pump (13 SEER)		External Static Pressure—Inches of Water [kPa]																												
		0.1 [.02]		0.2 [.05]		0.3 [.07]		0.4 [.10]		0.5 [.12]		0.6 [.15]		0.7 [.17]		0.8 [.20]		0.9 [.22]		1.0 [.25]		1.1 [.27]		1.2 [.30]		1.3 [.32]		1.4 [.35]		1.5 [.37]
Air Flow CFM [L/s]	W	RPM	W	RPM	W	RPM	W	RPM	W	RPM	W	RPM	W	RPM	W	RPM	W	RPM	W	RPM	W	RPM	W	RPM	W	RPM	W	RPM	W	RPM
1200 [566]	—	—	—	—	745	340	810	375	865	390	900	400	945	420	1000	440	1040	460	1075	490	1115	540	1170	580	1215	620	1260	650	1300	685
1300 [614]	—	—	695	330	770	365	835	395	880	415	920	435	975	455	1010	470	1060	490	1100	530	1140	570	1190	600	1235	640	1270	685	1315	740
1400 [661]	—	—	725	350	795	395	855	420	895	435	945	455	995	470	1030	500	1070	520	1115	560	1160	600	1205	640	1250	685	1290	745	1335	810
1500 [708]	690	360	750	390	820	425	875	450	920	465	970	480	1010	500	1055	560	1100	580	1140	630	1180	660	1230	700	1270	760	1315	815	1350	865
1600 [755]	720	390	780	430	850	460	895	480	945	500	990	530	1035	565	1075	590	1115	635	1160	680	1205	725	1250	770	1290	830	1335	890	1365	935
1700 [802]	750	430	810	465	870	485	920	500	970	530	1015	570	1055	600	1090	645	1140	695	1180	735	1225	790	1270	845	1315	910	1350	960	—	—
1800 [850]	780	475	840	515	895	540	945	555	990	600	1035	625	1080	660	1115	710	1155	740	1205	800	1250	860	1295	930	1340	995	1365	1030	—	—
1900 [897]	820	520	870	560	925	580	970	600	1015	640	1060	690	1115	750	1145	790	1185	835	1225	880	1275	900	1315	1010	1355	1060	—	—	—	—
2000 [944]	850	585	900	610	960	630	1000	665	1045	715	1090	760	1130	810	1170	865	1205	900	1255	965	1300	1050	1340	1100	1365	1140	—	—	—	—

NOTE: Bold lines separate L, M and N drives respectively.

Drive Package	L						M						N (Field-Supplied)					
	1/2 [373]	3/4 [559]	- 575V	3/4 [559]	6.4 Pitch Diameter	6.4 Pitch Diameter	3/4 [559]	6.4 Pitch Diameter	6.4 Pitch Diameter	Adjustable 3.4-4.4 Pitch Diameter	Adjustable 3.4-4.4 Pitch Diameter	Adjustable 4.0-5.0 Pitch Diameter	Adjustable 4.0-5.0 Pitch Diameter	Adjustable 4.0-5.0 Pitch Diameter	Adjustable 4.0-5.0 Pitch Diameter	RPM Range 1090-1365		
Turns Open	0	1	2	3	4	5	6	0	1	2	3	4	5	6				
RPM	990	945	895	850	800	750	695	1270	1225	1170	1115	1065	1015	965				

Factory sheave settings are shown in bold print.

Note: See component air resistance table in this manual.

[] Designates Metric Conversions



BELT-DRIVE AIRFLOW PERFORMANCE

Model		RJNL/RJPL-A060 [17.58 kW]—Heat Pump (13 SEER)		208/230-460—3 Phase		External Static Pressure—Inches of Water [kPa]																									
Air Flow CFM [L/s]		0.1 [0.02]		0.2 [0.05]		0.3 [0.07]		0.4 [0.10]		0.5 [0.12]		0.6 [0.15]		0.7 [0.17]		0.8 [0.20]		0.9 [0.22]		1.0 [0.25]		1.1 [0.27]		1.2 [0.30]		1.3 [0.32]		1.4 [0.35]		1.5 [0.37]	
RPM	W	RPM	W	RPM	W	RPM	W	RPM	W	RPM	W	RPM	W	RPM	W	RPM	W	RPM	W	RPM	W	RPM	W	RPM	W	RPM	W	RPM	W	RPM	W
1400 [661]	—	—	—	780	370	815	385	875	425	930	460	970	490	1030	540	1065	570	1105	595	1150	615	1195	645	1235	660	1300	705	1340	745		
1500 [708]	—	—	—	795	405	840	415	895	440	945	500	995	540	1045	595	1080	615	1135	650	1165	675	1215	700	1255	735	1320	775	1355	805		
1600 [755]	—	—	—	780	390	805	425	870	470	915	510	965	560	1015	600	1060	640	1105	680	1145	705	1180	730	1225	750	1275	790	1340	840	1365	880
1700 [802]	—	—	—	795	450	840	490	895	530	940	570	990	605	1035	640	1075	680	1120	725	1160	755	1200	790	1245	815	1300	855	1355	905	1375	940
1800 [850]	780	465	815	470	870	540	915	540	965	675	1010	660	1055	710	1100	760	1140	785	1175	810	1225	850	1260	880	1320	930	1365	985	1390	1020	
1900 [897]	800	485	850	530	880	605	930	655	970	700	1015	730	1055	790	1105	830	1145	875	1180	910	1225	950	1260	980	1320	1035	1350	1075	1385	1120	—
2000 [944]	830	550	880	605	930	655	970	700	1015	730	1055	790	1105	830	1145	875	1180	910	1225	950	1260	980	1320	1035	1350	1075	1385	1120	—	—	
2100 [991]	860	615	915	655	965	705	1005	760	1040	820	1090	870	1130	910	1170	950	1210	995	1250	1020	1290	1060	1335	1100	1370	1150	1400	1200	—	—	
2200 [1038]	895	680	945	735	995	780	1030	830	1060	880	1120	940	1155	980	1195	1020	1240	1055	1275	1100	1320	1140	1360	1180	1385	1225	—	—	—	—	
2300 [1085]	940	755	975	795	1015	830	1065	910	1100	965	1150	1025	1180	1050	1225	1095	1265	1125	1310	1175	1350	1230	1375	1260	1405	1320	—	—	—	—	
2400 [1133]	970	825	1015	880	1040	925	1100	1005	1145	1055	1175	1085	1225	1140	1260	1175	1300	1210	1340	1255	1370	1315	1400	1375	—	—	—	—	—	—	

NOTE: L-Drive left of bold line, M-Drive right of bold line.

Drive Package	L						M							
	0	1	2	3	4	5	0	1	2	3	4	5		
Motor H.P. [W]	3/4 [559]						1 [746]							
Blower Sheave	6.4 Pitch Diameter						6.4 Pitch Diameter							
Motor Sheave	Adjustable 2.8-3.8 Pitch Diameter						Adjustable 3.4-4.4 Pitch Diameter							
Turns Open	0	1	2	3	4	5	0	1	2	3	4	5		
RPM	1095	1040	995	940	890	835	780	1405	1360	1305	1250	1195	1145	1095

Factory sheave settings are shown in bold print.

COMPONENT AIR RESISTANCE

Component	Standard Indoor Airflow—CFM [L/s]							
	1000 [472]	1200 [566]	1400 [661]	1600 [755]	1800 [850]	2000 [944]	2200 [1038]	2400 [1133]
Wet Coil	.035	.040	.060	.070	.085	.100	.110	.120
Downflow	.055	.060	.066	.072	.080	.086	.093	.100
Economizer R.A. Damper	.05	.06	.07	.08	.09	.10	.11	.12

NOTES:

- Performance shown with dry coil, standard 1" [25.4 mm] filters & side discharge. Add component resistance to determine total E.S.P.
- Standard CFM @ .075 lbs./cu. ft.
- Motor efficiency = 80%
- BHP = $\frac{\text{Watts} \times \text{Motor Eff.}}{746}$

[] Designates Metric Conversions



AIRFLOW PERFORMANCE 6 TON [21.1 kW] SIDEFLOW

Air Flow CFM [L/s]	RJNL-A072 208/230-575—3 Phase																														
	External Static Pressure—Inches of Water [kPa]																														
	0.1 [0.2]	0.2 [0.05]	0.3 [0.07]	0.4 [0.10]	0.5 [0.12]	0.6 [0.15]	0.7 [0.17]	0.8 [0.20]	0.9 [0.22]	1.0 [0.25]	1.1 [0.27]	1.2 [0.30]	1.3 [0.32]	1.4 [0.35]	1.5 [0.37]																
1900 [897]	—	—	—	—	—	—	—	—	—	—	—	—	—	—	—	—	—	—	—	—	—	—	—	—	—						
2000 [944]	—	—	—	—	—	—	—	—	—	—	—	—	—	—	—	—	—	—	—	—	—	—	—	—	—						
2100 [991]	—	—	—	—	—	—	—	—	—	—	—	—	—	—	—	—	—	—	—	—	—	—	—	—	—						
2200 [1038]	854	762	897	926	835	962	876	997	919	1032	964	1066	1012	1101	1062	1135	1115	1168	1171	1201	1229	1234	1289	1267	1352	1299	1418	1331	1486		
2300 [1085]	885	834	920	873	958	1024	1004	1058	1053	1091	1104	1125	1158	1214	1190	1273	1222	1334	1254	1398	1286	1465	1317	1533	1348	1605	1348	1605			
2400 [1133]	917	917	951	959	985	1004	1019	1051	1052	1100	1085	1152	1118	1207	1150	1264	1182	1323	1213	1385	1245	1450	1276	1517	1306	1567	1336	1659	1366	1733	
2500 [1180]	950	1009	983	1055	1016	1103	1049	1153	1081	1206	1113	1261	1145	1319	1176	1379	1207	1442	1238	1508	1268	1575	1298	1646	1328	1719	1357	1794	1386	1872	
2600 [1227]	985	1112	1017	1160	1049	1211	1081	1265	1112	1321	1143	1380	1174	1441	1204	1505	1234	1571	1264	1639	1293	1711	1322	1784	1351	1861	1379	1939	1407	2020	
2700 [1274]	1020	1224	1052	1276	1083	1330	1114	1387	1144	1446	1174	1508	1204	1573	1233	1640	1262	1709	1291	1781	1319	1856	1347	1933	1375	2012	—	—	—	—	
2800 [1321]	1057	1345	1088	1401	1118	1458	1148	1519	1177	1582	1206	1647	1235	1715	1263	1785	1291	1858	1319	1933	1346	2011	—	—	—	—	—	—	—	—	
2900 [1368]	1096	1477	1125	1536	1154	1597	1183	1660	1211	1726	1240	1795	1267	1866	1295	1940	1322	2016	—	—	—	—	—	—	—	—	—	—	—	—	—

NOTE: L- Drive left of bold line, M-Drive right of bold line.

Drive Package	L						M							
	Motor H.P. [w]	1.5 [1118.5]						1.5 [1118.5]						
Blower Sheave	AK66						AK59							
Motor Sheave	1VP-44						1VP-50							
Turns Open	0	1	2	3	4	5	6	0	1	2	3	4	5	6
RPM	1103	1052	1002	956	900	849	1381	1326	1272	1220	1163	1108	1108	1108

- NOTES: 1. Factory sheave settings are shown in bold type.
 2. Do not set motor sheave below minimum or above maximum turns open shown.
 3. Re-adjustment of sheave required to achieve rated airflow at AHRI minimum External Static Pressure
 4. Drive data shown is for horizontal airflow with dry coil. Add component resistance (below) to duct resistance to determine total External Static Pressure.

COMPONENT AIR RESISTANCE 6 TON [21.1 kW]

Component	Standard Indoor Airflow—CFM [L/s]													
	1900 [897]	2000 [944]	2100 [991]	2200 [1038]	2300 [1085]	2400 [1133]	2500 [1180]	2600 [1227]	2700 [1274]	2800 [1321]	2900 [1368]			
Wet Coil	0.05 [0.01]	0.06 [0.01]	0.07 [0.02]	0.08 [0.02]	0.08 [0.02]	0.09 [0.02]	0.10 [0.02]	0.10 [0.02]	0.11 [0.03]	0.11 [0.03]	0.12 [0.03]			
Downflow	0.03 [0.01]	0.04 [0.01]	0.05 [0.01]	0.06 [0.01]	0.07 [0.02]	0.08 [0.02]	0.08 [0.02]	0.09 [0.02]	0.10 [0.02]	0.10 [0.02]	0.10 [0.02]			
Downflow Economizer RA Damper Open	0.08 [0.02]	0.08 [0.02]	0.09 [0.02]	0.09 [0.02]	0.10 [0.02]	0.10 [0.02]	0.10 [0.02]	0.11 [0.03]	0.11 [0.03]	0.12 [0.03]	0.12 [0.03]			
Horizontal Economizer RA Damper Open	0.08 [0.02]	0.08 [0.02]	0.09 [0.02]	0.09 [0.02]	0.10 [0.02]	0.10 [0.02]	0.10 [0.02]	0.11 [0.03]	0.11 [0.03]	0.12 [0.03]	0.12 [0.03]			
Concentric Grill RXRM-FA65 or RXRM-FA75 & Transition RXMVC-CC04	0.07 [0.02]	0.08 [0.02]	0.09 [0.02]	0.10 [0.02]	0.12 [0.03]	0.12 [0.03]	0.13 [0.03]	0.15 [0.04]	0.17 [0.04]	0.21 [0.05]	0.23 [0.06]			



ELECTRICAL DATA – RJNL SERIES															
		-A036CK	-A036CL	-A036CM	-A036DK	-A036DL	-A036DM	-A036JK	-A042CK	-A042CL	-A042CM	-A042DK	-A042DL	-A042DM	-A042JK
Unit Information	Unit Operating Voltage Range	187-253	187-253	187-253	414-506	414-506	414-506	187-253	187-253	187-253	187-253	414-506	414-506	414-506	187-253
	Minimum Circuit Ampacity	19/19	18/18	19/19	11	10	10	27/27	23/23	22/22	22/22	11	10	11	28/28
	Minimum Overcurrent Protection Device Size	25/25	20/20	25/25	15	15	15	35/35	30/30	25/25	30/30	15	15	15	35/35
	Maximum Overcurrent Protection Device Size	25/25	25/25	25/25	15	15	15	40/40	35/35	30/30	35/35	15	15	15	45/45
Compressor Motor	No.	1	1	1	1	1	1	1	1	1	1	1	1	1	1
	Volts	208/230	208/230	208/230	460	460	460	208/230	208/230	208/230	208/230	460	460	460	208/230
	Phase	3	3	3	3	3	3	1	3	3	3	3	3	3	1
	HP	2.5	2.5	2.5	2.5	2.5	2.5	2.5	3	3	3	3	3	3	3
	RPM	3450	3450	3450	3450	3450	3450	3450	3450	3450	3450	3450	3450	3450	3450
	Amps (RLA)	10.4/10.4	10.4/10.4	10.4/10.4	5.8	5.8	5.8	16.7/16.7	13.5/13.5	13.5/13.5	13.5/13.5	6	6	6	17.9/17.9
	Amps (LRA)	88/88	88/88	88/88	38	38	38	79/79	88/88	88/88	88/88	44	44	44	112/112
Condenser Motor	No.	1	1	1	1	1	1	1	1	1	1	1	1	1	1
	Volts	208/230	208/230	208/230	460	460	460	208/230	208/230	208/230	208/230	460	460	460	208/230
	Phase	1	1	1	1	1	1	1	1	1	1	1	1	1	1
	HP	1/3	1/3	1/3	1/3	1/3	1/3	1/3	1/3	1/3	1/3	1/3	1/3	1/3	1/3
	Amps (FLA)	1.5	1.5	1.5	1	1	1	1.5	1.5	1.5	1.5	1	1	1	1.5
	Amps (LRA)	3	3	3	1.9	1.9	1.9	3	3	3	3	1.9	1.9	1.9	3
Evaporator Fan	No.	1	1	1	1	1	1	1	1	1	1	1	1	1	1
	Volts	208/230	208/230	208/230	460	460	460	208/230	208/230	208/230	208/230	460	460	460	208/230
	Phase	1	3	3	1	3	3	1	1	3	3	1	3	3	1
	HP	1/2	1/2	3/4	1/2	1/2	3/4	1/2	1/2	1/2	3/4	1/2	1/2	3/4	1/2
	Amps (FLA)	2.7	2.2	3.2	1.5	1.1	1.6	2.7	2.7	2.2	3.2	1.5	1.1	1.6	2.7
	Amps (LRA)	6.5	10.6	16.8	3.6	5.3	8.4	6.5	6.5	10.6	16.8	3.6	5.3	8.4	6.5

1. Horsepower Per Compressor.
2. Amp Draw Per Motor. Multiply Value By Number of Motors to Determine Total Amps.



ELECTRICAL DATA – RJNL SERIES										
		-A048CK	-A048CL	-A048CM	-A048DK	-A048DL	-A048DM	-A048JK	-A060CK	-A060CL
Unit Information	Unit Operating Voltage Range	187-253	187-253	187-253	414-506	414-506	414-506	187-253	187-253	187-253
	Minimum Circuit Ampacity	23/23	22/22	23/23	11	11	11	33/33	25/25	26/26
	Minimum Overcurrent Protection Device Size	30/30	25/25	30/30	15	15	15	40/40	30/30	30/30
	Maximum Overcurrent Protection Device Size	35/35	35/35	35/35	15	15	15	50/50	40/40	40/40
Compressor Motor	No.	1	1	1	1	1	1	1	1	1
	Volts	208/230	208/230	208/230	460	460	460	208/230	208/230	208/230
	Phase	3	3	3	3	3	3	1	3	3
	HP	3.5	3.5	3.5	3.5	3.5	3.5	3.5	5	5
	RPM	3450	3450	3450	3450	3450	3450	3450	3450	3450
	Amps (RLA)	13.7/13.7	13.7/13.7	13.7/13.7	6.2	6.2	6.2	21.8/21.8	16/16	16/16
	Amps (LRA)	83.1/83.1	83.1/83.1	83.1/83.1	41	41	41	117/117	110/110	110/110
Condenser Motor	No.	1	1	1	1	1	1	1	1	1
	Volts	208/230	208/230	208/230	460	460	460	208/230	208/230	208/230
	Phase	1	1	1	1	1	1	1	1	1
	HP	1/3	1/3	1/3	1/3	1/3	1/3	1/3	1/3	1/3
	Amps (FLA)	1.5	1.5	1.5	1	1	1	1.5	2.2	2.2
	Amps (LRA)	3	3	3	1.9	1.9	1.9	3	4.7	4.7
Evaporator Fan	No.	1	1	1	1	1	1	1	1	1
	Volts	208/230	208/230	208/230	460	460	460	208/230	208/230	208/230
	Phase	1	3	3	1	3	3	1	1	3
	HP	1/2	1/2	3/4	1/2	1/2	3/4	1/2	1	3/4
	Amps (FLA)	2.7	2.2	3.2	1.5	1.1	1.6	2.7	7.6	3.2
	Amps (LRA)	6.5	10.6	16.8	3.6	5.3	8.4	6.5	0	16.8

1. Horsepower Per Compressor.

2. Amp Draw Per Motor. Multiply Value By Number of Motors to Determine Total Amps.



ELECTRICAL DATA – RJNL SERIES						
		-A060CM	-A060DK	-A060DL	-A060DM	-A060JK
Unit Information	Unit Operating Voltage Range	187-253	414-506	414-506	414-506	187-253
	Minimum Circuit Ampacity	26/26	13	13	14	39/39
	Minimum Overcurrent Protection Device Size	30/30	15	15	20	45/45
	Maximum Overcurrent Protection Device Size	40/40	20	20	20	60/60
Compressor Motor	No.	1	1	1	1	1
	Volts	208/230	460	460	460	208/230
	Phase	3	3	3	3	1
	HP	5	5	5	5	5
	RPM	3450	3450	3450	3450	3450
	Amps (RLA)	16/16	7.8	7.8	7.8	26.4/26.4
	Amps (LRA)	110/110	52	52	52	134/134
Condenser Motor	No.	1	1	1	1	1
	Volts	208/230	460	460	460	208/230
	Phase	1	1	1	1	1
	HP	1/3	1/3	1/3	1/3	1/3
	Amps (FLA)	2.2	1	1	1	2.2
	Amps (LRA)	4.7	2.4	2.4	2.4	4.7
Evaporator Fan	No.	1	1	1	1	1
	Volts	208/230	460	460	460	208/230
	Phase	3	1	3	3	1
	HP	1	1	3/4	1	1
	Amps (FLA)	3.8	1.7	1.6	1.9	2.8
	Amps (LRA)	24	0	8.4	12	0

1. Horsepower Per Compressor.

2. Amp Draw Per Motor. Multiply Value By Number of Motors to Determine Total Amps.



ELECTRICAL DATA – RJNL SERIES					
		-A072CL	-A072CM	-A072DL	-A072DM
Unit Information	Unit Operating Voltage Range	187-253	187-253	414-506	414-506
	Volts	208/230	208/230	460	460
	Minimum Circuit Ampacity	34/34	34/34	17	17
	Minimum Overcurrent Protection Device Size	40/40	40/40	20	20
	Maximum Overcurrent Protection Device Size	50/50	50/50	25	25
Compressor Motor	No.	1	1	1	1
	Volts	208/230	208/230	460	460
	Phase	3	3	3	3
	RPM	3450	3450	3450	3450
	HP, Compressor 1	7 1/2	7 1/2	7 1/2	7 1/2
	Amps (RLA)	21.2/21.2	21.2/21.2	10.9	10.9
	Amps (LRA)	123/123	123/123	62	62
Condenser Motor	No.	1	1	1	1
	Volts	208/230	208/230	460	460
	Phase	1	1	1	1
	HP	1/3	1/3	1/3	1/3
	Amps (FLA)	1.8/1.8	1.8/1.8	1	1
	Amps (LRA)	3.3/3.3	3.3/3.3	2.2	2.2
Evaporator Fan	No.	1	1	1	1
	Volts	208/230	208/230	460	460
	Phase	3	3	3	3
	HP	1 1/2	1 1/2	1 1/2	1 1/2
	Amps (FLA)	5.8/5.8	5.8/5.8	2.8	2.8
	Amps (LRA)	34/34	34/34	17	17

1. Horsepower Per Compressor.

2. Amp Draw Per Motor. Multiply Value By Number of Motors to Determine Total Amps.



ELECTRICAL DATA – RJPL SERIES

		-A036CK	-A036CL	-A036CM	-A036DK	-A036DL	-A036DM	-A036JK	-A042CK	-A042CL	-A042CM	-A042DK	-A042DL	-A042DM	-A042JK
Unit Information	Unit Operating Voltage Range	187-253	187-253	187-253	414-506	414-506	414-506	187-253	187-253	187-253	187-253	414-506	414-506	414-506	187-253
	Minimum Circuit Ampacity	17/17	18/18	18/18	10	10	10	24/24	21/21	22/22	22/22	10	10	11	26/26
	Minimum Overcurrent Protection Device Size	20/20	20/20	25/25	15	15	15	30/30	25/25	25/25	30/30	15	15	15	35/35
	Maximum Overcurrent Protection Device Size	25/25	25/25	25/25	15	15	15	40/40	30/30	30/30	35/35	15	15	15	40/40
Compressor Motor	No.	1	1	1	1	1	1	1	1	1	1	1	1	1	1
	Volts	208/230	208/230	208/230	460	460	460	208/230	208/230	208/230	208/230	460	460	460	208/230
	Phase	3	3	3	3	3	3	1	3	3	3	3	3	3	1
	HP	2.5	2.5	2.5	2.5	2.5	2.5	2.5	3	3	3	3	3	3	3
	RPM	3450	3450	3450	3450	3450	3450	3450	3450	3450	3450	3450	3450	3450	3450
	Amps (RLA)	10.4/10.4	10.4/10.4	10.4/10.4	5.8	5.8	5.8	16.7/16.7	13.5/13.5	13.5/13.5	13.5/13.5	6	6	6	17.9/17.9
	Amps (LRA)	88/88	88/88	88/88	38	38	38	79/79	88/88	88/88	88/88	44	44	44	112/112
Condenser Motor	No.	1	1	1	1	1	1	1	1	1	1	1	1	1	1
	Volts	208/230	208/230	208/230	460	460	460	208/230	208/230	208/230	208/230	460	460	460	208/230
	Phase	1	1	1	1	1	1	1	1	1	1	1	1	1	1
	HP	1/3	1/3	1/3	1/3	1/3	1/3	1/3	1/3	1/3	1/3	1/3	1/3	1/3	1/3
	Amps (FLA)	1.5	1.5	1.5	1	1	1	1.5	1.5	1.5	1.5	1	1	1	1.5
	Amps (LRA)	3	3	3	1.9	1.9	1.9	3	3	3	3	1.9	1.9	1.9	3
Evaporator Fan	No.	1	1	1	1	1	1	1	1	1	1	1	1	1	1
	Volts	208/230	208/230	208/230	460	460	460	208/230	208/230	208/230	208/230	460	460	460	208/230
	Phase	1	3	3	1	3	3	1	1	3	3	1	3	3	1
	HP	1/2	1/2	3/4	1/2	1/2	3/4	1/2	1/2	1/2	3/4	3/4	1/2	3/4	1/2
	Amps (FLA)	1.6	2.8	3.4	1.0	1.4	1.6	1.6	1.9	2.8	3.4	1.2	1.4	1.6	1.9
	Amps (LRA)	0	10.6	16.8	0	5.3	8.4	0	0	10.6	16.8	0	5.3	8.4	0

1. Horsepower Per Compressor.

2. Amp Draw Per Motor. Multiply Value By Number of Motors to Determine Total Amps.



ELECTRICAL DATA – RJPL SERIES															
		-A048CK	-A048CL	-A048CM	-A048DK	-A048DL	-A048DM	-A048JK	-A060CK	-A060CL	-A060CM	-A060DK	-A060DL	-A060DM	-A060JK
Unit Information	Unit Operating Voltage Range	187-253	187-253	187-253	414-506	414-506	414-506	187-253	187-253	187-253	187-253	414-506	414-506	414-506	187-253
	Minimum Circuit Ampacity	21/21	22/22	23/23	10	11	11	31/31	25/25	26/26	26/26	13	13	13	39/39
	Minimum Overcurrent Protection Device Size	25/25	25/25	30/30	15	15	15	40/40	30/30	30/30	30/30	15	15	15	45/45
	Maximum Overcurrent Protection Device Size	30/30	35/35	35/35	15	15	15	50/50	40/40	40/40	40/40	20	20	20	60/60
Compressor Motor	No.	1	1	1	1	1	1	1	1	1	1	1	1	1	1
	Volts	208/230	208/230	208/230	460	460	460	208/230	208/230	208/230	208/230	460	460	460	208/230
	Phase	3	3	3	3	3	3	1	3	3	3	3	3	3	1
	HP	3.5	3.5	3.5	3.5	3.5	3.5	3.5	5	5	5	5	5	5	5
	RPM	3450	3450	3450	3450	3450	3450	3450	3450	3450	3450	3450	3450	3450	3450
	Amps (RLA)	13.7/13.7	13.7/13.7	13.7/13.7	6.2	6.2	6.2	21.8/21.8	16/16	16/16	16/16	7.8	7.8	7.8	26.4/26.4
	Amps (LRA)	83.1/83.1	83.1/83.1	83.1/83.1	41	41	41	117/117	110/110	110/110	110/110	52	52	52	134/134
Condenser Motor	No.	1	1	1	1	1	1	1	1	1	1	1	1	1	1
	Volts	208/230	208/230	208/230	460	460	460	208/230	208/230	208/230	208/230	460	460	460	208/230
	Phase	1	1	1	1	1	1	1	1	1	1	1	1	1	1
	HP	1/3	1/3	1/3	1/3	1/3	1/3	1/3	1/3	1/3	1/3	1/3	1/3	1/3	1/3
	Amps (FLA)	1.5	1.5	1.5	1	1	1	1.5	2.2	2.2	2.2	1	1	1	2.2
	Amps (LRA)	3	3	3	1.9	1.9	1.9	3	4.7	4.7	4.7	2.4	2.4	2.4	4.7
	Amps (LRA)	3	3	3	1.9	1.9	1.9	3	4.7	4.7	4.7	2.4	2.4	2.4	4.7
Evaporator Fan	No.	1	1	1	1	1	1	1	1	1	1	1	1	1	1
	Volts	208/230	208/230	208/230	460	460	460	208/230	208/230	208/230	208/230	460	460	460	208/230
	Phase	1	3	3	1	3	3	1	1	3	3	1	3	3	1
	HP	1/2	1/2	3/4	3/4	1/2	3/4	1/2	1	3/4	1	1	3/4	1	1
	Amps (FLA)	1.9	2.8	3.4	1.2	1.4	1.6	1.9	2.8	3.4	3.8	1.7	1.6	1.9	2.8
	Amps (LRA)	0	10.6	16.8	0	5.3	8.4	0	0	16.8	24	0	8.4	12	0
	Amps (LRA)	0	10.6	16.8	0	5.3	8.4	0	0	16.8	24	0	8.4	12	0

1. Horsepower Per Compressor.

2. Amp Draw Per Motor. Multiply Value By Number of Motors to Determine Total Amps.

UNITS WITH HEATER KITS—RJNL- SERIES



208-240 VOLT, THREE PHASE, 60 HZ, AUXILIARY ELECTRIC HEATER KITS CHARACTERISTICS AND APPLICATION												
Model No. RJNL-	RXJ- Heater Kit Nominal kW	Rated Heater kW @ 208-240 V	Heater KBTU/Hr @ 208-240 V	Heater Amp. @ 208-240 V	Unit Min. Ckt. Ampacity @ 208-240 V	Over Current Protective Device Size @ 240 V		Separate Power Supply For Both Unit and Heater Kit				
						Min./Max. @ 208 V	Min./Max. @ 240 V	Heater Kit Min. Ckt. Ampacity	Heater Kit Max. Fuse Size	Heat Pump Min. Ckt. Ampacity 208-240 V	Heat Pump Protective Device Size Min./Max. @ 208 V	Heat Pump Over Current Protective Device Size Min./Max. @ 240 V
A036JK	No Heat	—	—	—	27/27	35/40	35/40	—	—	27/27	35/40	35/40
	A06J+	4.2/5.6	14.33/19.10	20.2/23.3	52/56	60/60	60/60	26/30	30/30	—	—	—
	A10J+	7.2/9.6	24.56/32.75	34.7/40.0	70/77	70/70	80/80	44/50	45/50	—	—	—
	*A11J+	7.2/9.6	24.56/32.75	34.7/40.0	70/77	70/70	80/80	44/50	45/50	—	—	—
	A12J+	8.4/11.2	28.66/38.21	40.4/46.7	77/85	80/80	90/90	51/59	60/60	—	—	—
	A15J+	10.8/14.4	36.84/49.13	52.0/60.0	92/102	100/100	110/110	65/75	70/80	—	—	—
	*A20J+	14.4/19.2	49.13/65.51	69.3/80.0	113/127	125/125	150/150	87/100	90/100	—	—	—
A042JK	No Heat	—	—	—	28/28	35/45	35/45	—	—	28/28	35/45	35/45
	A06J+	4.2/5.6	14.33/19.10	20.2/23.3	54/58	60/60	60/60	26/30	30/30	—	—	—
	A10J	7.2/9.6	24.56/32.75	34.7/40.0	72/78	80/80	80/80	44/50	45/50	—	—	—
	*A11J+	7.2/9.6	24.56/32.75	34.7/40.0	72/78	80/80	80/80	44/50	45/50	—	—	—
	A12J+	8.4/11.2	28.66/38.21	40.4/46.7	79/87	80/80	90/90	51/59	60/60	—	—	—
	A15J	10.8/14.4	36.84/49.13	52.0/60.0	93/103	100/100	110/110	65/75	70/80	—	—	—
	*A20J+	14.4/19.2	49.13/65.51	69.3/80.0	115/128	125/125	150/150	87/100	90/100	—	—	—
A048JK	No Heat	—	—	—	33/33	40/50	40/50	—	—	33/33	40/50	40/50
	A06J+	4.2/5.6	14.33/19.10	20.2/23.3	58/62	60/70	70/70	26/30	30/30	—	—	—
	A10J+	7.2/9.6	24.56/32.75	34.7/40.0	77/83	80/80	90/90	44/50	45/50	—	—	—
	*A11J+	7.2/9.6	24.56/32.75	34.7/40.0	77/83	80/80	90/90	44/50	45/50	—	—	—
	A12J+	8.4/11.2	28.66/38.21	40.4/46.7	84/92	90/90	100/100	51/59	60/60	—	—	—
	A15J	10.8/14.4	36.84/49.13	52.0/60.0	98/108	100/100	110/110	65/75	70/80	—	—	—
	*A20J+	14.4/19.2	49.13/65.51	69.3/80.0	120/133	125/125	150/150	87/100	90/100	—	—	—
A060JK	No Heat	—	—	—	39/39	45/60	45/60	—	—	39/39	45/60	45/60
	A06J+	4.2/5.6	14.33/19.10	20.2/23.3	64/68	70/80	70/80	26/30	30/30	—	—	—
	A10J+	7.2/9.6	24.56/32.75	34.7/40.0	82/89	90/90	90/100	44/50	45/50	—	—	—
	*A11J+	7.2/9.6	24.56/32.75	34.7/40.0	82/89	90/90	90/100	44/50	45/50	—	—	—
	A12J+	8.4/11.2	28.66/38.21	40.4/46.7	89/97	90/100	100/110	51/59	60/60	—	—	—
	A15J	10.8/14.4	36.84/49.13	52.0/60.0	104/114	110/110	125/125	65/75	70/80	—	—	—
	*A20J+	14.4/19.2	49.13/65.51	69.3/80.0	125/139	125/125	150/150	87/100	90/100	—	—	—

+ Field Installed Only
 * = For Canadian Use Only. Uses "P" Fuses for Inductive Circuit.



UNITS WITH HEATER KITS—RJNL- SERIES

208-240 VOLT, THREE PHASE, 60 HZ, AUXILIARY ELECTRIC HEATER KITS CHARACTERISTICS AND APPLICATION												
Separate Power Supply For Both Unit and Heater Kit												
Model No. RJNL-	RXJJ- Heater Kit Nominal kW	Rated Heater kW @ 208-240 V	Heater KBTU/Hr @ 208-240 V	Heater Amp. @ 208-240 V	Unit Min. Ckt. Ampacity @ 208-240 V	Over Current Protective Device Size		Heat Pump Min. Ckt. Ampacity 208-240 V	Heater Kit Max. Fuse Size	Heat Pump Min. Ckt. Ampacity 208-240 V	Heat Pump Over Current Protective Device Size	
						Min./Max. @ 208 V	Min./Max. @ 240 V				Min./Max. @ 208 V	Min./Max. @ 240 V
A036CK	No Heat	—	—	—	19/19	25/25	25/25	19/19	—	—	25/25	25/25
	A06C+	4.2/5.6	14.33/19.10	11.7/13.5	34/36	35/40	40/40	—	15/20	—	—	—
	A10C+	7.2/9.6	24.56/32.75	20.0/23.1	44/48	45/45	50/50	—	25/30	—	—	—
	*A11C+	7.2/9.6	24.56/32.75	20.0/23.1	44/48	45/45	50/50	—	25/29	—	—	—
	A12C+	8.4/11.2	28.66/38.21	23.4/27.0	48/53	50/50	60/60	—	30/35	—	—	—
	A15C+	10.8/14.4	36.84/49.13	30.1/34.7	57/62	60/60	70/70	—	40/45	—	—	—
A042CK	A20C+	14.4/19.2	49.13/65.51	40.1/46.2	69/77	70/70	80/80	—	50/60	—	—	—
	*A21C+	14.4/19.2	49.13/65.51	40.1/46.2	69/77	70/70	80/80	—	50/60	—	—	—
	No Heat	—	—	—	23/23	30/35	30/35	23/23	—	—	30/35	30/35
	A06C+	4.2/5.6	14.33/19.10	11.7/13.5	38/40	40/45	0/45	—	15/20	—	—	—
	A10C+	7.2/9.6	24.56/32.75	20.0/23.1	48/52	50/50	60/60	—	25/30	—	—	—
	*A11C+	7.2/9.6	24.56/32.75	20.0/23.1	48/52	50/50	60/60	—	25/30	—	—	—
A048CK	A12C+	8.4/11.2	28.66/38.21	23.4/27.0	52/57	60/60	60/60	—	30/35	—	—	—
	A15C+	10.8/14.4	36.84/49.13	30.1/34.7	61/66	70/70	70/70	—	40/45	—	—	—
	A20C+	14.4/19.2	49.13/65.51	40.1/46.2	73/81	80/80	90/90	—	50/60	—	—	—
	*A21C+	14.4/19.2	49.13/65.51	40.1/46.2	73/81	80/80	90/90	—	50/60	—	—	—
	No Heat	—	—	—	23/23	30/35	30/35	23/23	—	—	30/35	30/35
	A06C+	4.2/5.6	14.33/19.10	11.7/13.5	38/40	40/45	0/45	—	15/20	—	—	—
A060CK	A10C+	7.2/9.6	24.56/32.75	20.0/23.1	48/52	50/50	60/60	—	25/30	—	—	—
	*A11C+	7.2/9.6	24.56/32.75	20.0/23.1	50/54	50/60	60/60	—	25/30	—	—	—
	A12C+	8.4/11.2	28.66/38.21	23.4/27.0	55/59	60/60	60/60	—	30/35	—	—	—
	A15C+	10.8/14.4	36.84/49.13	30.1/34.7	63/69	70/70	70/70	—	40/45	—	—	—
	A20C+	14.4/19.2	49.13/65.51	40.1/46.2	76/83	80/80	90/90	—	50/60	—	—	—
	*A21C+	14.4/19.2	49.13/65.51	40.1/46.2	76/83	80/80	90/90	—	50/60	—	—	—

+ Field Installed Only
 * = For Canadian Use Only. Uses "P" Fuses for Inductive Circuit.

UNITS WITH HEATER KITS—RJNL- SERIES



208-240 VOLT, THREE PHASE, 60 HZ, AUXILIARY ELECTRIC HEATER KITS CHARACTERISTICS AND APPLICATION

Model No. RJNL-	Single Power Supply For Both Unit and Heater Kit										Separate Power Supply For Both Unit and Heater Kit				
	RXJ- Heater Kit Nominal kW	Rated Heater kW @ 208-240 V	Heater KBTU/Hr @ 208-240 V	Heater Amp. @ 208-240 V	Unit Min. Ckt. Ampacity @ 208-240 V	Over Current Protective Device Size		Heater Kit Min. Ckt. Ampacity @ 208-240 V	Heater Kit Max. Fuse Size	Heat Pump Min. Ckt. Ampacity @ 208-240 V	Heat Pump Over Current Protective Device Size				
						Min./Max. @ 208 V	Min./Max. @ 240 V				Min./Max. @ 208 V	Min./Max. @ 240 V			
A036CL	No Heat	—	—	—	18/18	20/25	20/25	—	—	18/18	20/25	20/25			
	A06C+	4.2/5.6	14.33/19.10	11.7/13.5	32/35	35/35	35/40	15/17	—	—	—	—			
	A10C+	7.2/9.6	24.56/32.75	20.0/23.1	43/47	45/45	50/50	25/29	25/30	—	—	—			
	*A11C+	7.2/9.6	24.56/32.75	20.0/23.1	43/47	45/45	50/50	25/29	25/30	—	—	—			
	A12C+	8.4/11.2	28.66/38.21	23.4/27.0	47/52	50/50	60/60	30/34	30/35	—	—	—			
	A15C+	10.8/14.4	36.84/49.13	30.1/34.7	55/61	60/60	70/70	38/44	40/45	—	—	—			
A042CL	A20C+	14.4/19.2	49.13/65.51	40.1/46.2	68/76	70/70	80/80	50/58	50/60	—	—	—			
	*A21C+	14.4/19.2	49.13/65.51	40.1/46.2	68/76	70/70	80/80	50/58	50/60	—	—	—			
	No Heat	—	—	—	22/22	25/30	25/30	—	—	22/22	25/30	25/30			
	A06C+	4.2/5.6	14.33/19.10	11.7/13.5	36/39	40/45	40/45	15/17	15/20	—	—	—			
	A10C+	7.2/9.6	24.56/32.75	20.0/23.1	47/51	50/50	60/60	25/29	25/30	—	—	—			
	*A11C+	7.2/9.6	24.56/32.75	20.0/23.1	47/51	50/50	60/60	25/29	25/30	—	—	—			
A048CL	A12C+	8.4/11.2	28.66/38.21	23.4/27.0	51/55	60/60	60/60	30/34	30/35	—	—	—			
	A15C+	10.8/14.4	36.84/49.13	30.1/34.7	59/65	60/60	70/70	38/44	40/45	—	—	—			
	A20C+	14.4/19.2	49.13/65.51	40.1/46.2	72/79	80/80	80/80	50/58	50/60	—	—	—			
	*A21C+	14.4/19.2	49.13/65.51	40.1/46.2	72/79	80/80	80/80	50/58	50/60	—	—	—			
	No Heat	—	—	—	22/22	25/35	25/35	—	—	22/22	25/35	25/35			
	A06C+	4.2/5.6	14.33/19.10	11.7/13.5	37/39	40/45	40/45	15/17	15/20	—	—	—			
A060CL	A10C+	7.2/9.6	24.56/32.75	20.0/23.1	47/51	50/50	60/60	25/29	25/30	—	—	—			
	*A11C+	7.2/9.6	24.56/32.75	20.0/23.1	47/51	50/50	60/60	25/29	25/30	—	—	—			
	A12C+	8.4/11.2	28.66/38.21	23.4/27.0	51/56	60/60	60/60	30/34	30/35	—	—	—			
	A15C+	10.8/14.4	36.84/49.13	30.1/34.7	60/65	60/60	70/70	38/44	40/45	—	—	—			
	A20C+	14.4/19.2	49.13/65.51	40.1/46.2	72/80	80/80	80/80	50/58	50/60	—	—	—			
	*A21C+	14.4/19.2	49.13/65.51	40.1/46.2	72/80	80/80	80/80	50/58	50/60	—	—	—			
A072CL	No Heat	—	—	—	26/26	30/40	30/40	—	—	26/26	30/40	30/40			
	A06C+	4.2/5.6	14.33/19.10	11.7/13.5	41/43	45/50	45/50	15/17	15/20	—	—	—			
	A10C+	7.2/9.6	24.56/32.75	20.0/23.1	51/55	60/60	60/60	25/29	25/30	—	—	—			
	*A11C+	7.2/9.6	24.56/32.75	20.0/23.1	51/55	60/60	60/60	25/29	25/30	—	—	—			
	A12C+	8.4/11.2	28.66/38.21	23.4/27.0	55/60	60/60	60/60	30/34	30/35	—	—	—			
	A15C+	10.8/14.4	36.84/49.13	30.1/34.7	64/69	70/70	70/70	38/44	40/45	—	—	—			
A072CL	A20C+	14.4/19.2	49.13/65.51	40.1/46.2	76/84	80/80	80/80	50/58	50/60	—	—	—			
	*A21C+	14.4/19.2	49.13/65.51	40.1/46.2	76/84	80/80	80/80	50/58	50/60	—	—	—			
	No Heat	—	—	—	34/34	40/50	40/50	—	—	34/34	40/50	40/50			
	A15C	10.8/14.4	36.84/49.13	30.1/34.7	72/78	80/80	80/80	38/44	40/45	—	—	—			
A20C	A20C	14.4/19.2	49.13/65.51	40.1/46.2	85/92	90/90	100/100	51/58	60/60	—	—	—			
	A24C	18/24	61.41/81.88	50.1/57.8	97/107	100/100	110/110	63/73	70/80	—	—	—			

+ Field Installed Only
 * = For Canadian Use Only. Uses "P" Fuses for Inductive Circuit.



UNITS WITH HEATER KITS—RJNL- SERIES

208-240 VOLT, THREE PHASE, 60 HZ, AUXILIARY ELECTRIC HEATER KITS CHARACTERISTICS AND APPLICATION

Model No. RJNL-	RXJJ- Heater Kit Nominal kW	Rated Heater kW @ 208-240 V	Heater KBTU/Hr @ 208-240 V	Heater Amp. @ 208-240 V	Unit Min. Ampacity @ 208-240 V	Over Current Protective Device Size		Separate Power Supply For Both Unit and Heater Kit				
						Min./Max. @ 280 V	Min./Max. @ 240 V	Heater Kit Min. Ckt. Ampacity	Heater Kit Max. Fuse Size	Heat Pump Min. Ckt. Ampacity @ 208-240 V	Heat Pump Over Current Protective Device Size	
											Min./Max. @ 208 V	Min./Max. @ 240 V
A036CM	No Heat	—	—	—	18/18	25/25	25/25	—	—	18/18	25/25	25/25
	A06C+	4.2/5.6	14.33/19.10	11.7/13.5	33/35	35/40	0/40	15/17	15/20	—	—	—
	A10C+	7.2/9.6	24.56/32.75	20.0/23.1	43/47	45/45	50/50	25/29	25/30	—	—	—
	*A11C+	7.2/9.6	24.56/32.75	20.0/23.1	43/47	45/45	50/50	25/29	25/30	—	—	—
	A12C+	8.4/11.2	28.66/38.21	23.4/27.0	48/52	50/50	60/60	30/34	30/35	—	—	—
	A15C+	10.8/14.4	36.84/49.13	30.1/34.7	56/62	60/60	70/70	38/44	40/45	—	—	—
	A20C+	14.4/19.2	49.13/65.51	40.1/46.2	69/76	70/70	80/80	50/58	50/60	—	—	—
*A21C+	14.4/19.2	49.13/65.51	40.1/46.2	69/76	70/70	80/80	50/58	50/60	—	—	—	
A042CM	No Heat	—	—	—	22/22	30/35	30/35	—	—	22/22	30/35	30/35
	A06C+	4.2/5.6	14.33/19.10	11.7/13.5	37/39	40/45	40/45	15/17	15/20	—	—	—
	A10C+	7.2/9.6	24.56/32.75	20.0/23.1	47/51	50/50	60/60	25/29	25/30	—	—	—
	*A11C+	7.2/9.6	24.56/32.75	20.0/23.1	47/51	50/50	60/60	25/29	25/30	—	—	—
	A12C+	8.4/11.2	28.66/38.21	23.4/27.0	52/56	60/60	60/60	30/34	30/35	—	—	—
	A15C+	10.8/14.4	36.84/49.13	30.1/34.7	60/66	60/60	70/70	38/44	40/45	—	—	—
	A20C+	14.4/19.2	49.13/65.51	40.1/46.2	72/80	80/80	80/80	50/58	50/60	—	—	—
*A21C+	14.4/19.2	49.13/65.51	40.1/46.2	72/80	80/80	80/80	50/58	50/60	—	—	—	
A048CM	No Heat	—	—	—	23/23	30/35	30/35	—	—	23/23	30/35	30/35
	A06C+	4.2/5.6	14.33/19.10	11.7/13.5	37/39	40/45	40/45	15/17	15/20	—	—	—
	A10C+	7.2/9.6	24.56/32.75	20.0/23.1	48/51	50/50	60/60	25/29	25/30	—	—	—
	*A11C+	7.2/9.6	24.56/32.75	20.0/23.1	48/51	50/50	60/60	25/29	25/30	—	—	—
	A12C+	8.4/11.2	28.66/38.21	23.4/27.0	52/56	60/60	60/60	30/34	30/35	—	—	—
	A15C+	10.8/14.4	36.84/49.13	30.1/34.7	60/66	60/60	70/70	38/44	40/45	—	—	—
	A20C+	14.4/19.2	49.13/65.51	40.1/46.2	73/80	80/80	80/80	50/58	50/60	—	—	—
*A21C+	14.4/19.2	49.13/65.51	40.1/46.2	73/80	80/80	80/80	50/58	50/60	—	—	—	
A060CM	No Heat	—	—	—	26/26	30/40	30/40	—	—	26/26	30/40	30/40
	A06C+	4.2/5.6	14.33/19.10	11.7/13.5	41/43	45/50	45/50	15/17	15/20	—	—	—
	A10C+	7.2/9.6	24.56/32.75	20.0/23.1	51/55	60/60	60/60	25/29	25/30	—	—	—
	*A11C+	7.2/9.6	24.56/32.75	20.0/23.1	51/55	60/60	60/60	25/29	25/30	—	—	—
	A12C+	8.4/11.2	28.66/38.21	23.4/27.0	56/60	60/60	60/60	30/34	30/35	—	—	—
	A15C+	10.8/14.4	36.84/49.13	30.1/34.7	64/70	70/70	70/70	38/44	40/45	—	—	—
	A20C+	14.4/19.2	49.13/65.51	40.1/46.2	77/84	80/80	90/90	50/58	50/60	—	—	—
*A21C+	14.4/19.2	49.13/65.51	40.1/46.2	77/84	80/80	90/90	50/58	50/60	—	—	—	
A072CM	No Heat	—	—	—	34/34	40/50	40/50	—	—	34/34	40/50	40/50
	A15C	10.8/14.4	36.84/49.13	30.1/34.7	72/78	80/80	80/80	38/44	40/45	—	—	—
	A20C	14.4/19.2	49.13/65.51	40.1/46.2	85/92	90/90	100/100	51/58	60/60	—	—	—
	A24C	18/24	61.41/81.88	50.1/57.8	97/107	100/100	110/110	63/73	70/80	—	—	—

+ Field Installed Only
 * = For Canadian Use Only. Uses "P" Fuses for Inductive Circuit.



480 VOLT, THREE PHASE, 60 HZ, AUXILIARY ELECTRIC HEATER KITS CHARACTERISTICS AND APPLICATION														
Model No. RJNL-	RXJL- Heater Kit Nominal kW	Rated Heater kW @ 480 V	Heater KBTU/Hr @ 480 V	Heater Amp. @ 480 V	Unit Min. Ckt. Ampacity @ 480 V	Over Current Protective Device Size @ 480 V		Separate Power Supply For Both Unit and Heater Kit						
						Min./Max.	Min./Max.	Heater Kit Min. Ckt. Ampacity	Heater Kit Max. Fuse Size	Heat Pump Min. Ckt. Ampacity @ 480 V	Heat Pump Protective Device Size Min./Max. @ 480 V	Heat Pump Over Current Protective Device Size Min./Max. @ 480 V		
A036DK	No Heat	—	—	—	11	15	15	—	—	—	—	—	—	—
	A06D+	5.6	19.10	6.7	19	20	20	15	9	15	15	15	15	15
	A10D+	9.6	32.75	11.6	25	25	25	25	15	15	15	15	—	—
	*A11D+	9.6	32.75	11.6	25	25	25	25	15	15	15	15	—	—
	A12D+	11.2	38.21	13.5	28	30	30	30	17	20	20	20	—	—
	A15D+	14.4	49.13	17.3	32	35	35	35	22	25	25	25	—	—
A042DK	A20D+	19.2	65.51	23.1	40	40	40	40	30	30	30	30	—	—
	*A21D+	19.2	65.51	23.1	40	40	40	40	29	30	30	30	—	—
	No Heat	—	—	—	11	15	15	—	—	—	—	—	—	15
	A06D+	5.6	19.10	6.7	19	20	20	20	9	15	15	15	15	15
	A10D+	9.6	32.75	11.6	25	25	25	25	15	15	15	15	—	—
	*A11D+	9.6	32.75	11.6	25	25	25	25	15	15	15	15	—	—
A048DK	A12D+	11.2	38.21	13.5	28	30	30	30	17	20	20	20	—	—
	A15D+	14.4	49.13	17.3	33	35	35	35	22	25	25	25	—	—
	A20D+	19.2	65.51	23.1	40	40	40	40	30	30	30	30	—	—
	*A21D+	19.2	65.51	23.1	40	40	40	40	29	30	30	30	—	—
	No Heat	—	—	—	11	15	15	15	—	—	—	—	—	15
	A06D+	5.6	19.10	6.7	20	20	20	20	9	15	15	15	15	15
A060DK	A10D+	9.6	32.75	11.6	26	30	30	30	15	15	15	15	—	—
	*A11D+	9.6	32.75	11.6	26	30	30	30	15	15	15	15	—	—
	A12D+	11.2	38.21	13.5	28	30	30	30	17	20	20	20	—	—
	A15D+	14.4	49.13	17.3	33	35	35	35	22	25	25	25	—	—
	A20D+	19.2	65.51	23.1	40	40	40	40	30	30	30	30	—	—
	*A21D+	19.2	65.51	23.1	40	40	40	40	29	30	30	30	—	—
A066DK	No Heat	—	—	—	13	15	15	15	—	—	—	—	—	20
	A06D+	5.6	19.10	6.7	22	25	25	25	9	15	15	15	15	15
	A10D+	9.6	32.75	11.6	28	30	30	30	15	15	15	15	—	—
	*A11D+	9.6	32.75	11.6	28	30	30	30	15	15	15	15	—	—
	A12D+	11.2	38.21	13.5	30	30	30	30	17	20	20	20	—	—
	A15D+	14.4	49.13	17.4	35	35	35	35	22	25	25	25	—	—
A072DK	A20D+	19.2	65.51	23.3	43	45	45	45	30	30	30	30	—	—
	*A21D+	19.2	65.51	23.3	43	45	45	45	30	30	30	30	—	—

+ Field Installed Only
 * = For Canadian Use Only. Uses "P" Fuses for Inductive Circuit.



UNITS WITH HEATER KITS—RJNL- SERIES

480 VOLT, THREE PHASE, 60 HZ, AUXILIARY ELECTRIC HEATER KITS CHARACTERISTICS AND APPLICATION

Model No. RJNL-	Single Power Supply For Both Unit and Heater Kit										Separate Power Supply For Both Unit and Heater Kit				
	RXJL- Heater Kit Nominal kW	Rated Heater kW @ 480 V	Heater KBTU/Hr @ 480 V	Heater Amp. @ 480 V	Unit Min. Ampacity @ 480 V	Over Current Protective Device Size @ 480 V		Heater Kit Min. Ckt. Ampacity	Heater Kit Max. Fuse Size	Heat Pump Min. Ckt. Ampacity @ 480 V	Over Current Protective Device Size @ 480 V				
						Min. @ 480 V	Max. @ 480 V				Min. @ 480 V	Max. @ 480 V			
A036DL	No Heat	—	—	—	10	15	15	—	10	—	15	15			
	A06D+	5.6	19.10	6.7	18	20	20	9	—	—	—	—			
	A10D+	9.6	32.75	11.6	25	25	25	15	—	—	—	—			
	*A11D+	9.6	32.75	11.6	25	25	25	15	—	—	—	—			
	A12D+	11.2	38.21	13.5	27	30	30	17	—	—	—	—			
	A15D+	14.4	49.13	17.3	32	35	35	22	—	—	—	—			
A20D+	19.2	65.51	23.1	39	40	40	30	—	—	—	—				
*A21D+	19.2	65.51	23.1	39	40	40	29	—	—	—	—	—			
A042DL	No Heat	—	—	—	10	15	15	—	10	—	15	15			
	A06D+	5.6	19.10	6.7	19	20	20	9	—	—	—	—			
	A10D+	9.6	32.75	11.6	25	25	25	15	—	—	—	—			
	*A11D+	9.6	32.75	11.6	25	25	25	15	—	—	—	—			
	A12D+	11.2	38.21	13.5	27	30	30	17	—	—	—	—			
	A15D+	14.4	49.13	17.3	32	35	35	22	—	—	—	—			
A20D+	19.2	65.51	23.1	39	40	40	30	—	—	—	—				
*A21D+	19.2	65.51	23.1	39	40	40	29	—	—	—	—	—			
A048DL	No Heat	—	—	—	11	15	15	—	11	—	15	15			
	A06D+	5.6	19.10	6.7	19	20	20	9	—	—	—	—			
	A10D+	9.6	32.75	11.6	25	25	25	15	—	—	—	—			
	*A11D+	9.6	32.75	11.6	25	25	25	15	—	—	—	—			
	A12D+	11.2	38.21	13.5	28	30	30	17	—	—	—	—			
	A15D+	14.4	49.13	17.3	32	35	35	22	—	—	—	—			
A20D+	19.2	65.51	23.1	40	40	40	30	—	—	—	—				
*A21D+	19.2	65.51	23.1	40	40	40	29	—	—	—	—	—			
A060DL	No Heat	—	—	—	13	15	15	—	13	—	15	15			
	A06D+	5.6	19.10	6.7	21	25	25	9	—	—	—	—			
	A10D+	9.6	32.75	11.6	27	30	30	15	—	—	—	—			
	*A11D+	9.6	32.75	11.6	27	30	30	15	—	—	—	—			
	A12D+	11.2	38.21	13.5	30	30	30	17	—	—	—	—			
	A15D+	14.4	49.13	17.3	34	35	35	22	—	—	—	—			
A20D+	19.2	65.51	23.1	42	45	45	30	—	—	—	—				
*A21D+	19.2	65.51	23.1	42	45	45	29	—	—	—	—	—			
A72DL	No Heat	—	—	—	17	20/25	20/25	—	17	—	20/25	20/25			
	A15D	14.4	49.13	17.4	39	45/45	45/45	22	—	—	—	—			
	A20D	19.2	65.5	23.3	47	50/50	50/50	30	—	—	—	—			
	A24D	24	81.88	28.9	54	60/60	60/60	37	—	—	—	—			

+ Field Installed Only
* = For Canadian Use Only. Uses "P" Fuses for Inductive Circuit.

UNITS WITH HEATER KITS—RJNL- SERIES



480 VOLT, SINGLE PHASE, 60 HZ, AUXILIARY ELECTRIC HEATER KITS CHARACTERISTICS AND APPLICATION

Model No. RJNL-	Single Power Supply For Both Unit and Heater Kit										Separate Power Supply For Both Unit and Heater Kit				
	RXJJ- Heater Kit Nominal kW	Rated Heater kW @ 480 V	Heater KBTU/Hr @ 480 V	Heater Amp. @ 480 V	Unit Min. Ckt. Ampacity @ 480 V	Over Current Protective Device Size		Heater Kit Min. Ckt. Ampacity	Heater Kit Max. Fuse Size	Heat Pump Min. Ckt. Ampacity @ 480 V	Heat Pump Over Current Protective Device Size				
						Min. @ 480 V	Max. @ 480 V				Min. @ 480 V	Max. @ 480 V			
A036DM	No Heat	—	—	—	10	15	15	—	—	10	15	15			
	A06D+	5.6	19.10	6.7	19	20	20	9	15	—	—	—			
	A10D+	9.6	32.75	11.6	25	25	25	15	15	—	—	—			
	*A11D+	9.6	32.75	11.6	25	25	25	15	15	—	—	—			
	A12D+	11.2	38.21	13.5	27	30	30	17	20	—	—	—			
	A15D+	14.4	49.13	17.3	32	35	35	22	25	—	—	—			
A042DM	A20D+	19.2	65.51	23.1	39	40	40	30	30	—	—	—			
	*A21D+	19.2	65.51	23.1	39	40	40	29	30	—	—	—			
	No Heat	—	—	—	11	15	15	—	—	11	15	15			
	A06D+	5.6	19.10	6.7	19	20	20	9	15	—	—	—			
	A10D+	9.6	32.75	11.6	25	25	25	15	15	—	—	—			
	*A11D+	9.6	32.75	11.6	25	25	25	15	15	—	—	—			
A048DM	A12D+	11.2	38.21	13.5	27	30	30	17	20	—	—	—			
	A15D+	14.4	49.13	17.3	32	35	35	22	25	—	—	—			
	A20D+	19.2	65.51	23.1	39	40	40	30	30	—	—	—			
	*A21D+	19.2	65.51	23.1	39	40	40	29	30	—	—	—			
	No Heat	—	—	—	11	15	15	—	—	11	15	15			
	A06D+	5.6	19.10	6.7	19	20	20	9	15	—	—	—			
A060DM	A10D+	9.6	32.75	11.6	25	25	25	15	15	—	—	—			
	*A11D+	9.6	32.75	11.6	25	25	25	15	15	—	—	—			
	A12D+	11.2	38.21	13.5	28	30	30	17	20	—	—	—			
	A15D+	14.4	49.13	17.3	32	35	35	22	25	—	—	—			
	A20D+	19.2	65.51	23.1	40	40	40	30	30	—	—	—			
	*A21D+	19.2	65.51	23.1	40	40	40	29	30	—	—	—			
A072DM	No Heat	—	—	—	13	15	15	—	—	13	15	20			
	A06D+	5.6	19.10	6.7	21	25	25	9	15	—	—	—			
	A10D+	9.6	32.75	11.6	28	30	30	15	15	—	—	—			
	*A11D+	9.6	32.75	11.6	28	30	30	15	15	—	—	—			
	A12D+	11.2	38.21	13.5	30	30	30	17	20	—	—	—			
	A15D+	14.4	49.13	17.3	35	35	35	22	25	—	—	—			
A072DM	A20D+	19.2	65.51	23.1	42	45	45	30	30	—	—	—			
	*A21D+	19.2	65.51	23.1	42	45	45	29	30	—	—	—			
	No Heat	—	—	—	17	20/25	20/25	—	—	17	20/25	—			
	A15D	14.4	49.13	17.4	39	45/45	45/45	22	25	—	—	—			
A072DM	A20D	19.2	65.5	23.3	47	50/50	50/50	30	30	—	—	—			
	A24D	24	81.88	28.9	54	60/60	60/60	37	40	—	—	—			

+ Field Installed Only
 * = For Canadian Use Only. Uses "P" Fuses for Inductive Circuit.



600 VOLT, THREE PHASE, 60 HZ, AUXILIARY ELECTRIC HEATER KITS CHARACTERISTICS AND APPLICATION												
Single Power Supply For Both Unit and Heater Kit						Separate Power Supply For Both Unit and Heater Kit						
Model No. RJNL-	RXJJ- Heater Kit Nominal kW	Rated Heater kW @ 600 V	Heater KBTU/Hr @ 600 V	Heater Amp. @ 600 V	Unit Min. Ckt. Ampacity @ 600 V	Over Current Protective Device Size		Heater Kit Min. Ckt. Ampacity	Heater Kit Max. Fuse Size	Heat Pump Min. Ckt. Ampacity @ 600 V	Heat Pump Over Current Protective Device Size	
						Min./Max. @ 600 V	Min./Max. @ 600 V				Min./Max. @ 600 V	Min./Max. @ 600 V
A072YL	No Heat	—	—	—	14	15/20	—	—	—	14	15/20	—
	A15Y	14.4	49.13	13.9	32	35/35	—	18	20	—	—	—
	A20Y	19.2	65.5	18.8	38	40/40	—	24	25	—	—	—
	A24Y	24	81.88	23.1	43	45/45	—	29	30	—	—	—

+ Field Installed Only
 * = For Canadian Use Only. Uses "P" Fuses for Inductive Circuit.



208-240 VOLT, THREE PHASE, 60 HZ, AUXILIARY ELECTRIC HEATER KITS CHARACTERISTICS AND APPLICATION													
		Single Power Supply For Both Unit and Heater Kit							Separate Power Supply For Both Unit and Heater Kit				
Model No. RJPL-	RXJJ- Heater Kit Nominal kW	Rated Heater kW @ 208-240 V	Heater KBTU/Hr @ 208-240 V	Heater Amp. @ 208-240 V	Unit Min. Ckt. Ampacity @ 208-240 V	Over Current Protective Device Size		Heater Kit Max. Fuse Size	Heat Pump Min. Ckt. Ampacity 208-240 V	Heat Pump Over Current Protective Device Size			
						Min./Max. @ 208 V	Min./Max. @ 240 V			Min./Max. @ 208 V	Min./Max. @ 240 V		
A036CK	No Heat	—	—	—	17/17	20/25	20/25	—	17/17	20/25	20/25	—	
	A060+	4.2/5.6	14.33/19.10	11.7/13.5	31/34	35/35	35/40	15/20	—	—	—	—	
	A100+	7.2/9.6	24.56/32.75	20.0/23.1	42/46	45/45	50/50	25/30	—	—	—	—	
	*A110+	7.2/9.6	24.56/32.75	20.0/23.1	42/46	45/45	50/50	25/30	—	—	—	—	
	A120+	8.4/11.2	28.66/38.21	23.4/27.0	46/50	50/50	60/60	30/35	—	—	—	—	
	A150+	10.8/14.4	36.84/49.13	30.1/34.7	54/60	60/60	80/80	40/45	—	—	—	—	
A042CK	A200+	14.4/19.2	49.13/65.51	40.1/46.2	67/74	70/70	80/80	50/60	—	—	—	—	
	*A210+	14.4/19.2	49.13/65.51	40.1/46.2	67/74	70/70	80/80	50/60	—	—	—	—	
	No Heat	—	—	—	21/21	25/30	25/30	—	21/21	25/30	25/30	—	
	A060+	4.2/5.6	14.33/19.10	11.7/13.5	35/38	40/45	40/45	15/20	—	—	—	—	
	A100+	7.2/9.6	24.56/32.75	20.0/23.1	46/50	50/50	50/50	25/30	—	—	—	—	
	*A110+	7.2/9.6	24.56/32.75	20.0/23.1	46/50	50/50	50/50	25/30	—	—	—	—	
A048CK	A120+	8.4/11.2	28.66/38.21	23.4/27.0	50/55	60/60	60/60	30/35	—	—	—	—	
	A150+	10.8/14.4	36.84/49.13	30.1/34.7	58/64	70/70	70/70	40/45	—	—	—	—	
	A200+	14.4/19.2	49.13/65.51	40.1/46.2	71/79	80/80	80/80	50/60	—	—	—	—	
	*A210+	14.4/19.2	49.13/65.51	40.1/46.2	71/79	80/80	80/80	50/60	—	—	—	—	
	No Heat	—	—	—	21/21	25/30	25/30	—	21/21	25/30	25/30	—	
	A060+	4.2/5.6	14.33/19.10	11.7/13.5	36/38	40/45	40/45	15/20	—	—	—	—	
A060CK	A100+	7.2/9.6	24.56/32.75	20.0/23.1	46/50	50/50	50/50	25/30	—	—	—	—	
	*A110+	7.2/9.6	24.56/32.75	20.0/23.1	46/50	50/50	50/50	25/30	—	—	—	—	
	A120+	8.4/11.2	28.66/38.21	23.4/27.0	50/55	60/60	60/60	30/35	—	—	—	—	
	A150+	10.8/14.4	36.84/49.13	30.1/34.7	59/64	70/70	70/70	40/45	—	—	—	—	
	A200+	14.4/19.2	49.13/65.51	40.1/46.2	71/79	80/80	80/80	50/60	—	—	—	—	
	*A210+	14.4/19.2	49.13/65.51	40.1/46.2	71/79	80/80	80/80	50/60	—	—	—	—	
A060CK	No Heat	—	—	—	25/25	30/40	30/40	—	25/25	30/40	30/40	—	
	A060+	4.2/5.6	14.33/19.10	11.7/13.5	40/42	45/50	45/50	15/20	—	—	—	—	
	A100+	7.2/9.6	24.56/32.75	20.0/23.1	50/54	60/60	60/60	25/30	—	—	—	—	
	*A110+	7.2/9.6	24.56/32.75	20.0/23.1	50/54	60/60	60/60	25/30	—	—	—	—	
	A120+	8.4/11.2	28.66/38.21	23.4/27.0	55/59	60/60	60/60	30/35	—	—	—	—	
	A150+	10.8/14.4	36.84/49.13	30.1/34.7	63/69	70/70	70/70	40/45	—	—	—	—	
A060CK	A200+	14.4/19.2	49.13/65.51	40.1/46.2	76/83	80/80	90/90	50/60	—	—	—	—	
	*A210+	14.4/19.2	49.13/65.51	40.1/46.2	76/83	80/80	90/90	50/60	—	—	—	—	

+ Field Installed Only

* = For Canadian Use Only. Uses "P" Fuses for Inductive Circuit.



UNITS WITH HEATER KITS—RJPL- SERIES

208-240 VOLT, THREE PHASE, 60 HZ, AUXILIARY ELECTRIC HEATER KITS CHARACTERISTICS AND APPLICATION												
Separate Power Supply For Both Unit and Heater Kit												
Model No. RJPL-	RXJJ- Heater Kit Nominal kW	Rated Heater kW @ 208-240 V	Heater KBTU/Hr @ 208-240 V	Heater Amp. @ 208-240 V	Unit Min. Ckt. Ampacity @ 208-240 V	Over Current Protective Device Size @ 240 V		Heater Kit Min. Ckt. Ampacity	Heater Kit Max. Fuse Size	Heat Pump Min. Ckt. Ampacity @ 208-240 V	Heat Pump Over Current Protective Device Size @ 240 V	
						Min./Max.	Min./Max.				Min./Max.	Min./Max.
A036CL	No Heat	—	—	—	18/18	20/25	20/25	—	—	18/18	20/25	20/25
	A06C+	4.2/5.6	14.33/19.10	11.7/13.5	32/35	35/35	35/40	15/17	15/20	—	—	—
	A10C+	7.2/9.6	24.56/32.75	20.0/23.1	43/47	45/45	50/50	25/29	25/30	—	—	—
	*A11C+	7.2/9.6	24.56/32.75	20.0/23.1	43/47	45/45	50/50	25/29	25/30	—	—	—
	A12C+	8.4/11.2	28.66/38.21	23.4/27.0	47/52	50/50	60/60	30/34	30/35	—	—	—
	A15C+	10.8/14.4	36.84/49.13	30.1/34.7	55/61	60/60	70/70	38/44	40/45	—	—	—
A042CL	A20C+	14.4/19.2	49.13/65.51	40.1/46.2	68/76	70/70	80/80	50/58	50/60	—	—	—
	*A21C+	14.4/19.2	49.13/65.51	40.1/46.2	68/76	70/70	80/80	50/58	50/60	—	—	—
	No Heat	—	—	—	22/22	25/30	25/30	—	—	22/22	25/30	25/30
	A06C+	4.2/5.6	14.33/19.10	11.7/13.5	36/39	40/45	40/45	15/17	15/20	—	—	—
	A10C+	7.2/9.6	24.56/32.75	20.0/23.1	47/51	50/50	60/60	25/29	25/30	—	—	—
	*A11C+	7.2/9.6	24.56/32.75	20.0/23.1	47/51	50/50	60/60	25/29	25/30	—	—	—
A048CL	A12C+	8.4/11.2	28.66/38.21	23.4/27.0	51/55	60/60	60/60	30/34	30/35	—	—	—
	A15C+	10.8/14.4	36.84/49.13	30.1/34.7	59/65	60/60	70/70	38/44	40/45	—	—	—
	A20C+	14.4/19.2	49.13/65.51	40.1/46.2	72/79	80/80	80/80	50/58	50/60	—	—	—
	*A21C+	14.4/19.2	49.13/65.51	40.1/46.2	72/79	80/80	80/80	50/58	50/60	—	—	—
	No Heat	—	—	—	22/22	25/35	25/35	—	—	22/22	25/35	25/35
	A06C+	4.2/5.6	14.33/19.10	11.7/13.5	37/39	40/45	40/45	15/17	15/20	—	—	—
A060CL	A10C+	7.2/9.6	24.56/32.75	20.0/23.1	47/51	50/50	60/60	25/29	25/30	—	—	—
	*A11C+	7.2/9.6	24.56/32.75	20.0/23.1	47/51	50/50	60/60	25/29	25/30	—	—	—
	A12C+	8.4/11.2	28.66/38.21	23.4/27.0	51/56	60/60	60/60	30/34	30/35	—	—	—
	A15C	10.8/14.4	36.84/49.13	30.1/34.7	60/65	60/60	70/70	38/44	40/45	—	—	—
	A20C+	14.4/19.2	49.13/65.51	40.1/46.2	72/80	80/80	80/80	50/58	50/60	—	—	—
	*A21C+	14.4/19.2	49.13/65.51	40.1/46.2	72/80	80/80	80/80	50/58	50/60	—	—	—
A060CL	No Heat	—	—	—	26/26	30/40	30/40	—	—	26/26	30/40	30/40
	A06C+	4.2/5.6	14.33/19.10	11.7/13.5	41/43	45/50	45/50	15/17	15/20	—	—	—
	A10C+	7.2/9.6	24.56/32.75	20.0/23.1	51/55	60/60	60/60	25/29	25/30	—	—	—
	*A11C+	7.2/9.6	24.56/32.75	20.0/23.1	51/55	60/60	60/60	25/29	25/30	—	—	—
	A12C+	8.4/11.2	28.66/38.21	23.4/27.0	55/60	60/60	60/60	30/34	30/35	—	—	—
	A15C	10.8/14.4	36.84/49.13	30.1/34.7	64/69	70/70	70/70	38/44	40/45	—	—	—
A060CL	A20C+	14.4/19.2	49.13/65.51	40.1/46.2	76/84	80/80	90/90	50/58	50/60	—	—	—
	*A21C+	14.4/19.2	49.13/65.51	40.1/46.2	76/84	80/80	90/90	50/58	50/60	—	—	—

+ Field Installed Only

* = For Canadian Use Only. Uses "P" Fuses for Inductive Circuit.



208-240 VOLT, THREE PHASE, 60 HZ, AUXILIARY ELECTRIC HEATER KITS CHARACTERISTICS AND APPLICATION													
Model No. RJPL-	RXJJ- Heater Kit Nominal kW	Rated Heater kW @ 208-240 V	Heater KBTU/Hr @ 208-240 V	Heater Amp. @ 208-240 V	Unit Min. Ampacity @ 208-240 V	Over Current Protective Device Size @ 240 V		Separate Power Supply For Both Unit and Heater Kit					
						Min./Max. @ 280 V	Min./Max. @ 240 V	Heater Kit Min. Ckt. Ampacity	Heater Kit Max. Fuse Size	Heat Pump Min. Ckt. Ampacity @ 208-240 V	Heat Pump Over Current Protective Device Size Min./Max. @ 208 V	Heat Pump Over Current Protective Device Size Min./Max. @ 240 V	
A036CM	No Heat	—	—	—	18/18	25/25	25/25	18/18	—	—	25/25	25/25	—
	A06C+	4.2/5.6	14.33/19.10	11.7/13.5	33/35	35/40	35/40	33/35	15/17	15/20	15/17	15/20	—
	A10C+	7.2/9.6	24.56/32.75	20.0/23.1	43/47	45/45	50/50	43/47	25/29	25/30	25/29	25/30	—
	*A11C+	7.2/9.6	24.56/32.75	20.0/23.1	43/47	45/45	50/50	43/47	25/29	25/30	25/29	25/30	—
	A12C+	8.4/11.2	28.66/38.21	23.4/27.0	48/52	50/50	60/60	48/52	30/34	30/35	30/34	30/35	—
	A15C+	10.8/14.4	36.84/49.13	30.1/34.7	56/62	60/60	70/70	56/62	38/44	40/45	38/44	40/45	—
A20C+	14.4/19.2	49.13/65.51	40.1/46.2	69/76	70/70	80/80	69/76	50/58	50/60	50/58	50/60	—	
*A21C+	14.4/19.2	49.13/65.51	40.1/46.2	69/76	70/70	80/80	69/76	50/58	50/60	50/58	50/60	—	
A042CM	No Heat	—	—	—	22/22	30/35	30/35	22/22	—	—	30/35	30/35	—
	A06C+	4.2/5.6	14.33/19.10	11.7/13.5	37/39	40/45	40/45	37/39	15/17	15/20	15/17	15/20	—
	A10C+	7.2/9.6	24.56/32.75	20.0/23.1	47/51	50/50	60/60	47/51	25/29	25/30	25/29	25/30	—
	*A11C+	7.2/9.6	24.56/32.75	20.0/23.1	47/51	50/50	60/60	47/51	25/29	25/30	25/29	25/30	—
	A12C+	8.4/11.2	28.66/38.21	23.4/27.0	52/56	60/60	60/60	52/56	30/34	30/35	30/34	30/35	—
	A15C+	10.8/14.4	36.84/49.13	30.1/34.7	60/66	60/60	70/70	60/66	38/44	40/45	38/44	40/45	—
A20C+	14.4/19.2	49.13/65.51	40.1/46.2	72/80	80/80	80/80	72/80	50/58	50/60	50/58	50/60	—	
*A21C+	14.4/19.2	49.13/65.51	40.1/46.2	72/80	80/80	80/80	72/80	50/58	50/60	50/58	50/60	—	
A048CM	No Heat	—	—	—	23/23	30/35	30/35	23/23	—	—	30/35	30/35	—
	A06C+	4.2/5.6	14.33/19.10	11.7/13.5	37/39	40/45	40/45	37/39	15/17	15/20	15/17	15/20	—
	A10C+	7.2/9.6	24.56/32.75	20.0/23.1	48/51	50/50	60/60	48/51	25/29	25/30	25/29	25/30	—
	*A11C+	7.2/9.6	24.56/32.75	20.0/23.1	48/51	50/50	60/60	48/51	25/29	25/30	25/29	25/30	—
	A12C+	8.4/11.2	28.66/38.21	23.4/27.0	52/56	60/60	60/60	52/56	30/34	30/35	30/34	30/35	—
	A15C+	10.8/14.4	36.84/49.13	30.1/34.7	60/66	60/60	70/70	60/66	38/44	40/45	38/44	40/45	—
A20C+	14.4/19.2	49.13/65.51	40.1/46.2	73/80	80/80	80/80	73/80	50/58	50/60	50/58	50/60	—	
*A21C+	14.4/19.2	49.13/65.51	40.1/46.2	73/80	80/80	80/80	73/80	50/58	50/60	50/58	50/60	—	
A060CM	No Heat	—	—	—	26/26	30/40	30/40	26/26	—	—	30/40	30/40	—
	A06C+	4.2/5.6	14.33/19.10	11.7/13.5	41/43	45/50	45/50	41/43	15/17	15/20	15/17	15/20	—
	A10C+	7.2/9.6	24.56/32.75	20.0/23.1	51/55	60/60	60/60	51/55	25/29	25/30	25/29	25/30	—
	*A11C+	7.2/9.6	24.56/32.75	20.0/23.1	51/55	60/60	60/60	51/55	25/29	25/30	25/29	25/30	—
	A12C+	8.4/11.2	28.66/38.21	23.4/27.0	56/60	60/60	60/60	56/60	30/34	30/35	30/34	30/35	—
	A15C+	10.8/14.4	36.84/49.13	30.1/34.7	64/70	70/70	70/70	64/70	38/44	40/45	38/44	40/45	—
A20C+	14.4/19.2	49.13/65.51	40.1/46.2	77/84	80/80	90/90	77/84	50/58	50/60	50/58	50/60	—	
*A21C+	14.4/19.2	49.13/65.51	40.1/46.2	77/84	80/80	90/90	77/84	50/58	50/60	50/58	50/60	—	

+ Field Installed Only
 * = For Canadian Use Only. Uses "P" Fuses for Inductive Circuit.



480 VOLT, THREE PHASE, 60 HZ, AUXILIARY ELECTRIC HEATER KITS CHARACTERISTICS AND APPLICATION												
Separate Power Supply For Both Unit and Heater Kit												
Model No. RJPL-	RXJJ- Heater Kit Nominal kW	Rated Heater kW @ 480 V	Heater KBTU/Hr @ 480 V	Heater Amp. @ 480 V	Unit Min. Ckt. Ampacity @ 480 V	Over Current Protective Device Size		Heater Kit Min. Ckt. Ampacity	Heater Kit Max. Fuse Size	Heat Pump Min. Ckt. Ampacity @ 480 V	Over Current Protective Device Size	
						Min./Max. @ 480 V	Min./Max. @ 480 V				Min./Max. @ 480 V	Min./Max. @ 480 V
A036DK	No Heat	—	—	—	10	15	15	—	—	10	15	15
	A06D+	5.6	19.10	6.7	19	20	20	9	15	—	—	—
	A10D+	9.6	32.75	11.6	25	25	25	15	15	—	—	—
	*A11D+	9.6	32.75	11.6	25	25	25	15	15	—	—	—
	A12D+	11.2	38.21	13.5	27	30	30	17	20	—	—	—
	A15D+	14.4	49.13	17.4	32	35	35	22	25	—	—	—
A20D+	19.2	65.51	23.3	40	40	40	30	30	—	—	—	
*A21D+	19.2	65.51	23.3	40	40	40	29	30	—	—	—	
A042DK	No Heat	—	—	—	10	15	15	—	—	10	15	15
	A06D+	5.6	19.10	6.7	19	20	20	9	15	—	—	—
	A10D+	9.6	32.75	11.6	25	25	25	15	15	—	—	—
	*A11D+	9.6	32.75	11.6	25	25	25	15	15	—	—	—
	A12D+	11.2	38.21	13.5	27	30	30	17	20	—	—	—
	A15D+	14.4	49.13	17.4	32	35	35	22	25	—	—	—
A20D+	19.2	65.51	23.3	40	40	40	30	30	—	—	—	
*A21D+	19.2	65.51	23.3	40	40	40	29	30	—	—	—	
A048DK	No Heat	—	—	—	10	15	15	—	—	10	15	15
	A06D+	5.6	19.10	6.7	19	20	20	9	15	—	—	—
	A10D+	9.6	32.75	11.6	25	25	25	15	15	—	—	—
	*A11D+	9.6	32.75	11.6	25	25	25	15	15	—	—	—
	A12D+	11.2	38.21	13.5	27	30	30	17	20	—	—	—
	A15D+	14.4	49.13	17.4	32	35	35	22	25	—	—	—
A20D+	19.2	65.51	23.3	40	40	40	30	30	—	—	—	
*A21D+	19.2	65.51	23.3	40	40	40	29	30	—	—	—	
A060DK	No Heat	—	—	—	13	15	15	—	—	13	15	20
	A06D+	5.6	19.10	6.7	22	25	25	9	15	—	—	—
	A10D+	9.6	32.75	11.6	28	30	30	15	15	—	—	—
	*A11D+	9.6	32.75	11.6	28	30	30	15	15	—	—	—
	A12D+	11.2	38.21	13.5	30	30	30	17	20	—	—	—
	A15D+	14.4	49.13	17.4	35	35	35	22	25	—	—	—
A20D+	19.2	65.51	23.3	43	45	45	30	30	—	—	—	
*A21D+	19.2	65.51	23.3	43	45	45	29	30	—	—	—	

+ Field Installed Only
* = For Canadian Use Only. Uses "P" Fuses for Inductive Circuit.



480 VOLT, THREE PHASE, 60 HZ, AUXILIARY ELECTRIC HEATER KITS CHARACTERISTICS AND APPLICATION													
		Single Power Supply For Both Unit and Heater Kit						Separate Power Supply For Both Unit and Heater Kit					
Model No. RJPL-	RXJJ- Heater Kit Nominal kW	Rated Heater kW @ 480 V	Heater KBTU/Hr @ 480 V	Heater Amp. @ 480 V	Unit Min. Ckt. Ampacity @ 480 V	Over Current Protective Device Size		Heater Kit Min. Ckt. Ampacity	Heater Kit Max. Fuse Size	Heat Pump Min. Ckt. Ampacity @ 480 V	Over Current Protective Device Size		
						Min./Max. @ 480 V	Min./Max. @ 480 V				Min./Max. @ 480 V	Min./Max. @ 480 V	
A036DL	No Heat	—	—	—	10	15	15	—	—	10	15	15	15
	A06D+	5.6	19.10	6.7	18	20	20	9	15	—	—	—	—
	A10D+	9.6	32.75	11.6	25	25	25	15	15	—	—	—	—
	*A11D+	9.6	32.75	11.6	25	25	25	15	15	—	—	—	—
	A12D+	11.2	38.21	13.5	27	30	30	17	20	—	—	—	—
	A15D+	14.4	49.13	17.3	32	35	35	22	25	—	—	—	—
A042DL	A20D+	19.2	65.51	23.1	39	40	40	30	30	—	—	—	—
	*A21D+	19.2	65.51	23.1	39	40	40	29	30	—	—	—	—
	No Heat	—	—	—	10	15	15	—	—	10	15	15	15
	A06D+	5.6	19.10	6.7	19	20	20	9	15	—	—	—	—
	A10D+	9.6	32.75	11.6	25	25	25	15	15	—	—	—	—
	*A11D+	9.6	32.75	11.6	25	25	25	15	15	—	—	—	—
A048DL	A12D+	11.2	38.21	13.5	27	30	30	17	20	—	—	—	—
	A15D+	14.4	49.13	17.3	32	35	35	22	25	—	—	—	—
	A20D+	19.2	65.51	23.1	39	40	40	30	30	—	—	—	—
	*A21D+	19.2	65.51	23.1	39	40	40	29	30	—	—	—	—
	No Heat	—	—	—	11	15	15	—	—	11	15	15	15
	A06D+	5.6	19.10	6.7	19	20	20	9	15	—	—	—	—
A060DL	A10D+	9.6	32.75	11.6	25	25	25	15	15	—	—	—	—
	*A11D+	9.6	32.75	11.6	25	25	25	15	15	—	—	—	—
	A12D+	11.2	38.21	13.5	28	30	30	17	20	—	—	—	—
	A15D+	14.4	49.13	17.3	32	35	35	22	25	—	—	—	—
	A20D+	19.2	65.51	23.1	40	40	40	30	30	—	—	—	—
	*A21D+	19.2	65.51	23.1	40	40	40	29	30	—	—	—	—
A060DL	No Heat	—	—	—	13	15	15	—	—	13	15	15	20
	A06D+	5.6	19.10	6.7	21	25	25	9	15	—	—	—	—
	A10D+	9.6	32.75	11.6	27	30	30	15	15	—	—	—	—
	*A11D+	9.6	32.75	11.6	27	30	30	15	15	—	—	—	—
	A12D+	11.2	38.21	13.5	30	30	30	17	20	—	—	—	—
	A15D+	14.4	49.13	17.3	34	35	35	22	25	—	—	—	—
A060DL	A20D+	19.2	65.51	23.1	42	45	45	30	30	—	—	—	—
	*A21D+	19.2	65.51	23.1	42	45	45	29	30	—	—	—	—

+ Field Installed Only
 * = For Canadian Use Only. Uses "P" Fuses for Inductive Circuit.



480 VOLT, SINGLE PHASE, 60 HZ, AUXILIARY ELECTRIC HEATER KITS CHARACTERISTICS AND APPLICATION														
Model No. RJPL-	Single Power Supply For Both Unit and Heater Kit							Separate Power Supply For Both Unit and Heater Kit						
	RXJJ- Heater Kit Nominal kW	Rated Heater kW @ 480 V	Heater KBTU/Hr @ 480 V	Heater Amp. @ 480 V	Unit Min. Ckt. Ampacity @ 480 V	Over Current Protective Device Size		Heater Kit Min. Ckt. Ampacity	Heater Kit Max. Fuse Size	Heat Pump Min. Ckt. Ampacity @ 480 V	Heat Pump Over Current Protective Device Size			
						Min./Max. @ 480 V	Min./Max. @ 480 V				Min./Max. @ 480 V	Min./Max. @ 480 V		
A036DM	No Heat	—	—	—	10	15	15	—	—	10	15	15		
	A06D+	5.6	19.10	6.7	19	20	20	15	—	—	—	—		
	A10D+	9.6	32.75	11.6	25	25	25	15	15	—	—	—		
	*A11D+	9.6	32.75	11.6	25	25	25	15	15	—	—	—		
	A12D+	11.2	38.21	13.5	27	30	30	17	20	—	—	—		
	A15D+	14.4	49.13	17.3	32	35	35	22	25	—	—	—		
A042DM	A20D+	19.2	65.51	23.1	39	40	40	30	30	—	—	—		
	*A21D+	19.2	65.51	23.1	39	40	40	29	30	—	—	—		
	No Heat	—	—	—	11	15	15	—	—	11	15	15		
	A06D+	5.6	19.10	6.7	19	20	20	9	15	—	—	—		
	A10D+	9.6	32.75	11.6	25	25	25	15	15	—	—	—		
	*A11D+	9.6	32.75	11.6	25	25	25	15	15	—	—	—		
A048DM	A12D+	11.2	38.21	13.5	27	30	30	17	20	—	—	—		
	A15D+	14.4	49.13	17.3	32	35	35	22	25	—	—	—		
	A20D+	19.2	65.51	23.1	39	40	40	30	30	—	—	—		
	*A21D+	19.2	65.51	23.1	39	40	40	29	30	—	—	—		
	No Heat	—	—	—	11	15	15	—	—	11	15	15		
	A06D+	5.6	19.10	6.7	19	20	20	9	15	—	—	—		
A060DM	A10D+	9.6	32.75	11.6	25	25	25	15	15	—	—	—		
	*A11D+	9.6	32.75	11.6	28	30	30	15	15	—	—	—		
	A12D+	11.2	38.21	13.5	30	30	30	17	20	—	—	—		
	A15D+	14.4	49.13	17.3	32	35	35	22	25	—	—	—		
	A20D+	19.2	65.51	23.1	40	40	40	30	30	—	—	—		
	*A21D+	19.2	65.51	23.1	40	40	40	29	30	—	—	—		
A066DM	No Heat	—	—	—	13	15	15	—	—	13	15	20		
	A06D+	5.6	19.10	6.7	21	25	25	9	15	—	—	—		
	A10D+	9.6	32.75	11.6	28	30	30	15	15	—	—	—		
	*A11D+	9.6	32.75	11.6	28	30	30	15	15	—	—	—		
	A12D+	11.2	38.21	13.5	30	30	30	17	20	—	—	—		
	A15D+	14.4	49.13	17.3	35	35	35	22	25	—	—	—		
A072DM	A20D+	19.2	65.51	23.1	42	45	45	30	30	—	—	—		
	*A21D+	19.2	65.51	23.1	42	45	45	29	30	—	—	—		

+ Field Installed Only
 * = For Canadian Use Only. Uses "P" Fuses for Inductive Circuit.



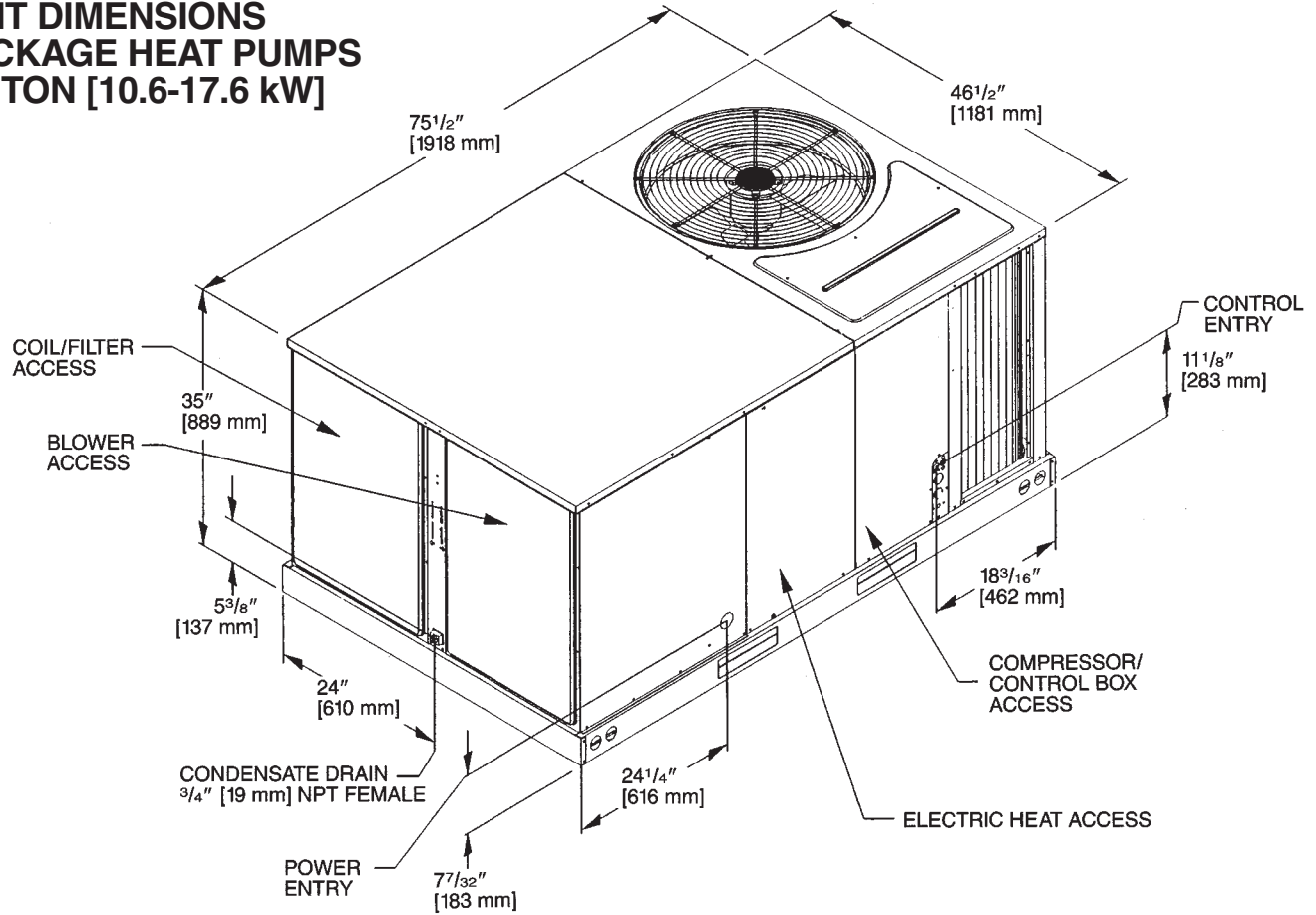
208/240 VOLT, SINGLE PHASE, 60 HZ, AUXILIARY ELECTRIC HEATER KITS CHARACTERISTICS AND APPLICATION												
Separate Power Supply For Both Unit and Heater Kit												
Model No. RJPL-	RXJJ- Heater Kit Nominal kW	Rated Heater kW @ 208/240 V	Heater KBTU/Hr @ 208/240 V	Heater Amp. @ 208/240 V	Unit Min. Ckt. Ampacity @ 208/240 V	Over Current Protective Device Size @ 208/240 V		Heater Kit Min. Ckt. Ampacity	Heater Kit Max. Fuse Size	Heat Pump Min. Ckt. Ampacity 208/240 V	Heat Pump Over Current Protective Device Size @ 208/240 V	
						Min./Max.	Min./Max.				Min./Max.	Min./Max.
A036JK	No Heat	—	—	—	24/24	30/40	30/40	—	—	24/24	30/40	30/40
	A06J	4.2/5.6	14.33/19.1	20.2/23.3	50/54	50/60	60/60	26/30	30/30	—	—	—
	A10J	7.2/9.6	24.56/32.75	34.6/40	68/74	70/70	80/80	44/50	45/50	—	—	—
	A11J	7.2/9.6	24.56/32.75	34.6/40	68/74	70/70	80/80	44/50	45/50	—	—	—
	A12J	8.4/11.2	28.66/38.21	40.4/46.7	75/83	80/80	90/90	51/59	60/60	—	—	—
	A15J	10.8/14.4	36.84/49.13	51.9/60	89/99	90/90	100/100	65/75	70/80	—	—	—
	A20J	14.4/19.2	49.13/65.5	69.3/80	111/124	125/125	125/125	87/100	90/100	—	—	—
A042JK	No Heat	—	—	—	26/26	35/40	35/40	—	—	26/26	35/40	35/40
	A06J	4.2/5.6	14.33/19.1	20.2/23.3	52/56	60/60	60/60	26/30	30/30	—	—	—
	A10J	7.2/9.6	24.56/32.75	34.6/40	70/76	70/70	80/80	44/50	45/50	—	—	—
	A11J	7.2/9.6	24.56/32.75	34.6/40	70/76	70/70	80/80	44/50	45/50	—	—	—
	A12J	8.4/11.2	28.66/38.21	40.4/46.7	77/85	80/80	90/90	51/59	60/60	—	—	—
	A15J	10.8/14.4	36.84/49.13	51.9/60	91/101	100/100	110/110	65/75	70/80	—	—	—
	A20J	14.4/19.2	49.13/65.5	69.3/80	113/126	125/125	150/150	87/100	90/100	—	—	—
A048JK	No Heat	—	—	—	31/31	40/50	40/50	—	—	31/31	40/50	40/50
	A06J	4.2/5.6	14.33/19.1	20.2/23.3	57/61	60/70	70/70	26/30	30/30	—	—	—
	A10J	7.2/9.6	24.56/32.75	34.6/40	75/81	80/80	90/90	44/50	45/50	—	—	—
	A11J	7.2/9.6	24.56/32.75	34.6/40	75/81	80/80	90/90	44/50	45/50	—	—	—
	A12J	8.4/11.2	28.66/38.21	40.4/46.7	82/90	90/90	90/90	51/59	60/60	—	—	—
	A15J	10.8/14.4	36.84/49.13	51.9/60	96/106	100/100	110/110	65/75	70/80	—	—	—
	A20J	14.4/19.2	49.13/65.5	69.3/80	118/131	125/125	150/150	87/100	90/100	—	—	—
A060JK	No Heat	—	—	—	39/39	45/60	45/60	—	—	39/39	45/60	45/60
	A06J	4.2/5.6	14.33/19.1	20.2/23.3	65/69	70/80	70/80	26/30	30/30	—	—	—
	A10J	7.2/9.6	24.56/32.75	34.6/40	83/89	90/90	90/100	44/50	45/50	—	—	—
	A11J	7.2/9.6	24.56/32.75	34.6/40	83/89	90/90	90/100	44/50	45/50	—	—	—
	A12J	8.4/11.2	28.66/38.21	40.4/46.7	90/98	90/100	100/110	51/59	60/60	—	—	—
	A15J	10.8/14.4	36.84/49.13	51.9/60	104/114	110/110	125/125	65/75	70/80	—	—	—
	A20J	14.4/19.2	49.13/65.5	69.3/80	126/139	150/150	150/150	87/100	90/100	—	—	—

+ Field Installed Only
 * = For Canadian Use Only. Uses "P" Fuses for Inductive Circuit.

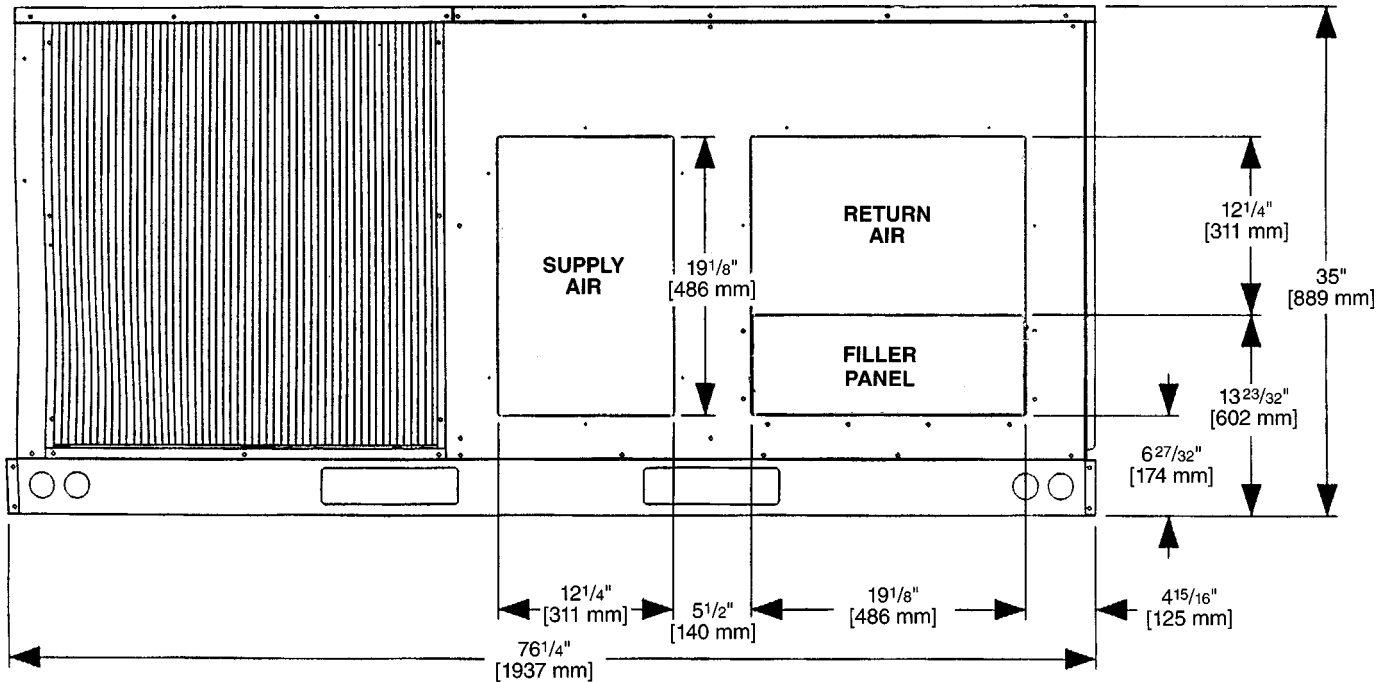


UNIT DIMENSIONS—RJNL/RJPL- SERIES

UNIT DIMENSIONS PACKAGE HEAT PUMPS 3-5 TON [10.6-17.6 kW]

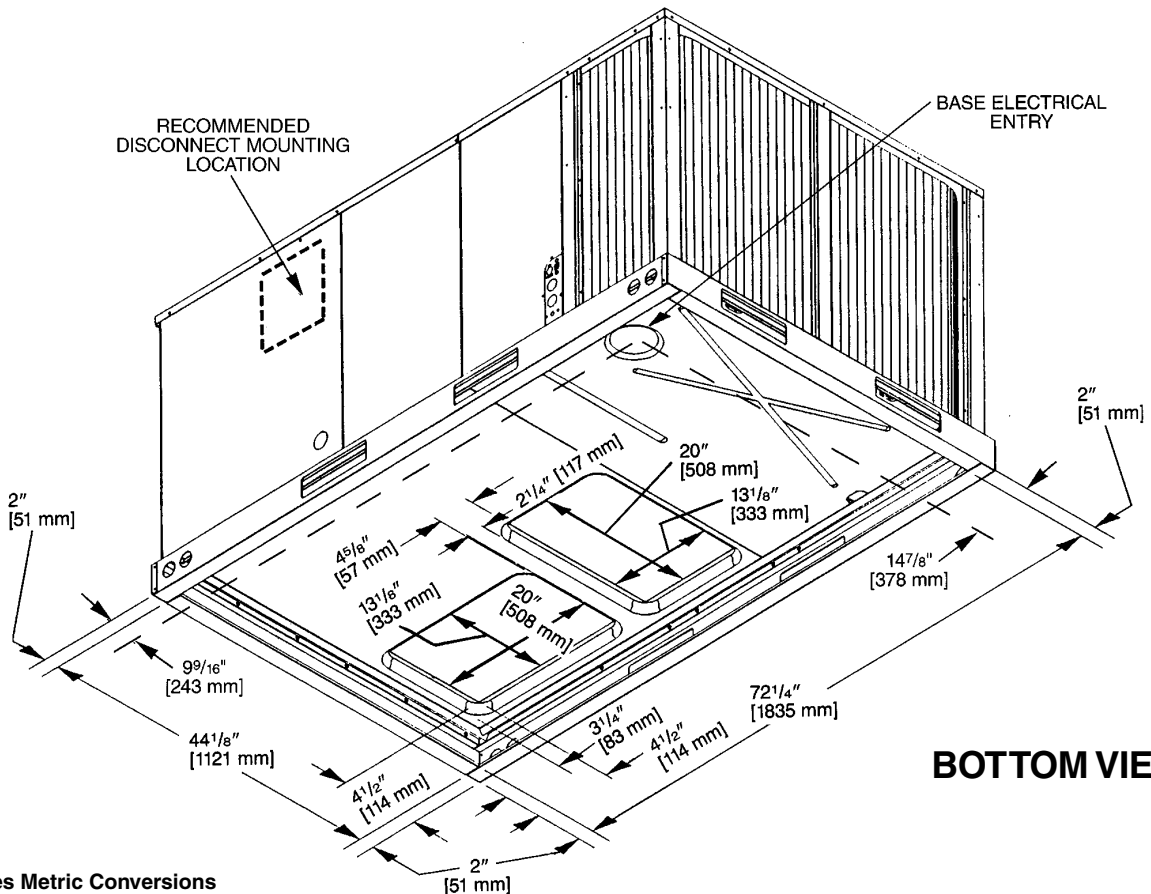
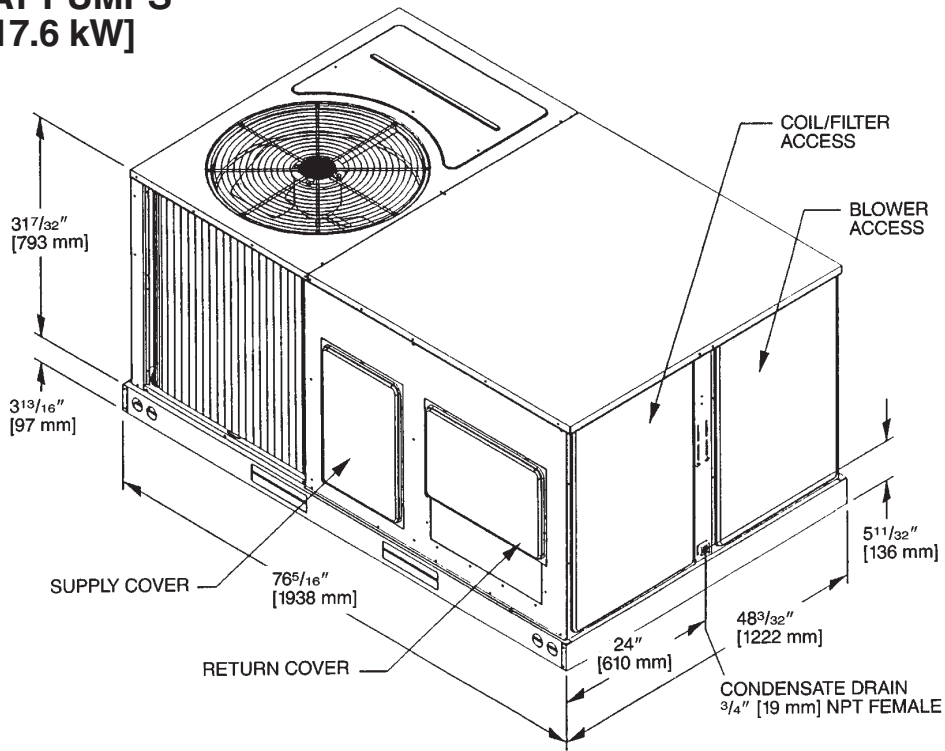


SUPPLY AND RETURN DIMENSIONS



[] Designates Metric Conversions

UNIT DIMENSIONS PACKAGE HEAT PUMPS 3-5 TON [10.6-17.6 kW]



BOTTOM VIEW

[] Designates Metric Conversions



UNIT DIMENSIONS PACKAGE HEAT PUMPS 6 TON [21.1 kW]

FIGURE 4. UNIT DIMENSIONS

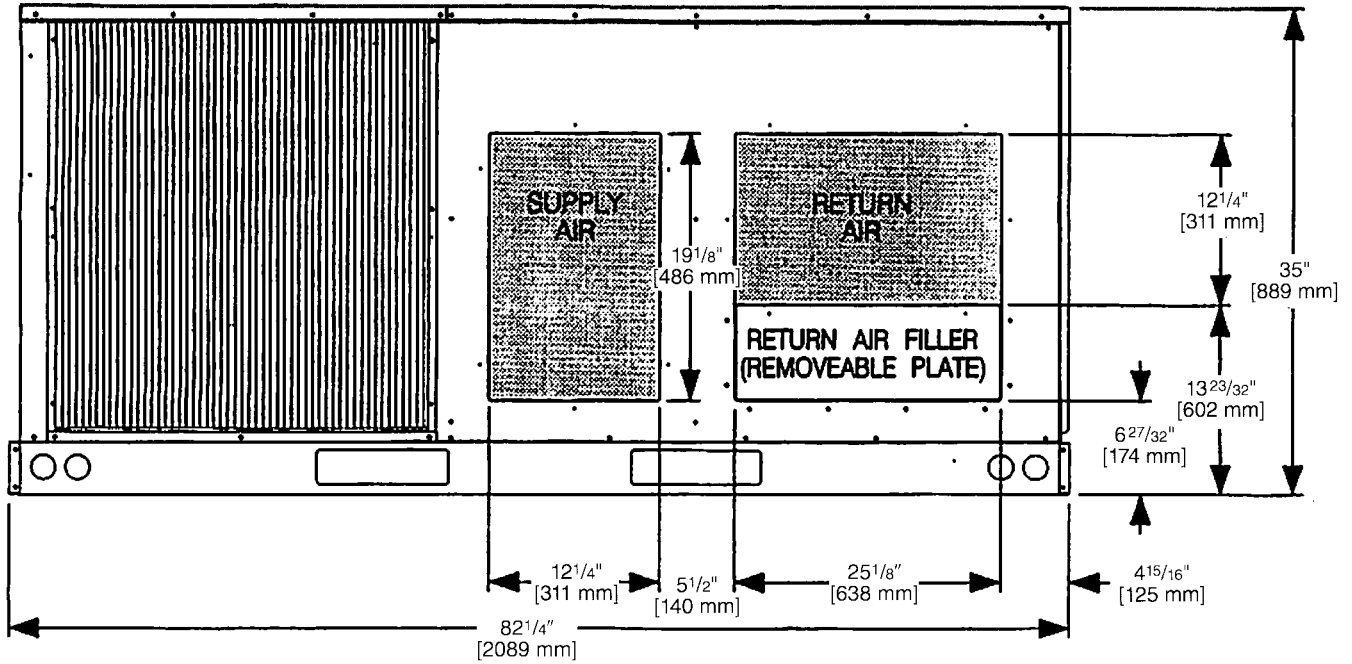
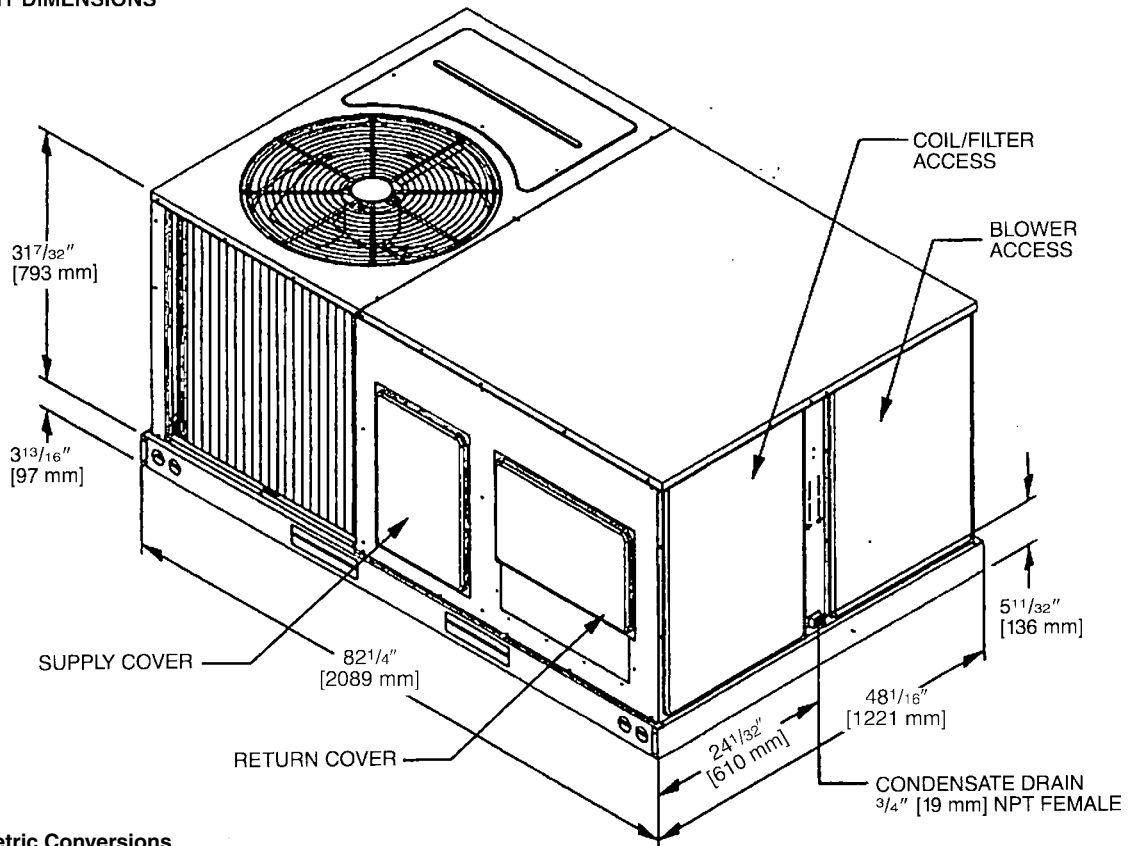


FIGURE 3. UNIT DIMENSIONS



[] Designates Metric Conversions

UNIT DIMENSIONS PACKAGE HEAT PUMPS 6 TON [21.1 kW]

FIGURE 1. UNIT DIMENSIONS
BOTTOM VIEW

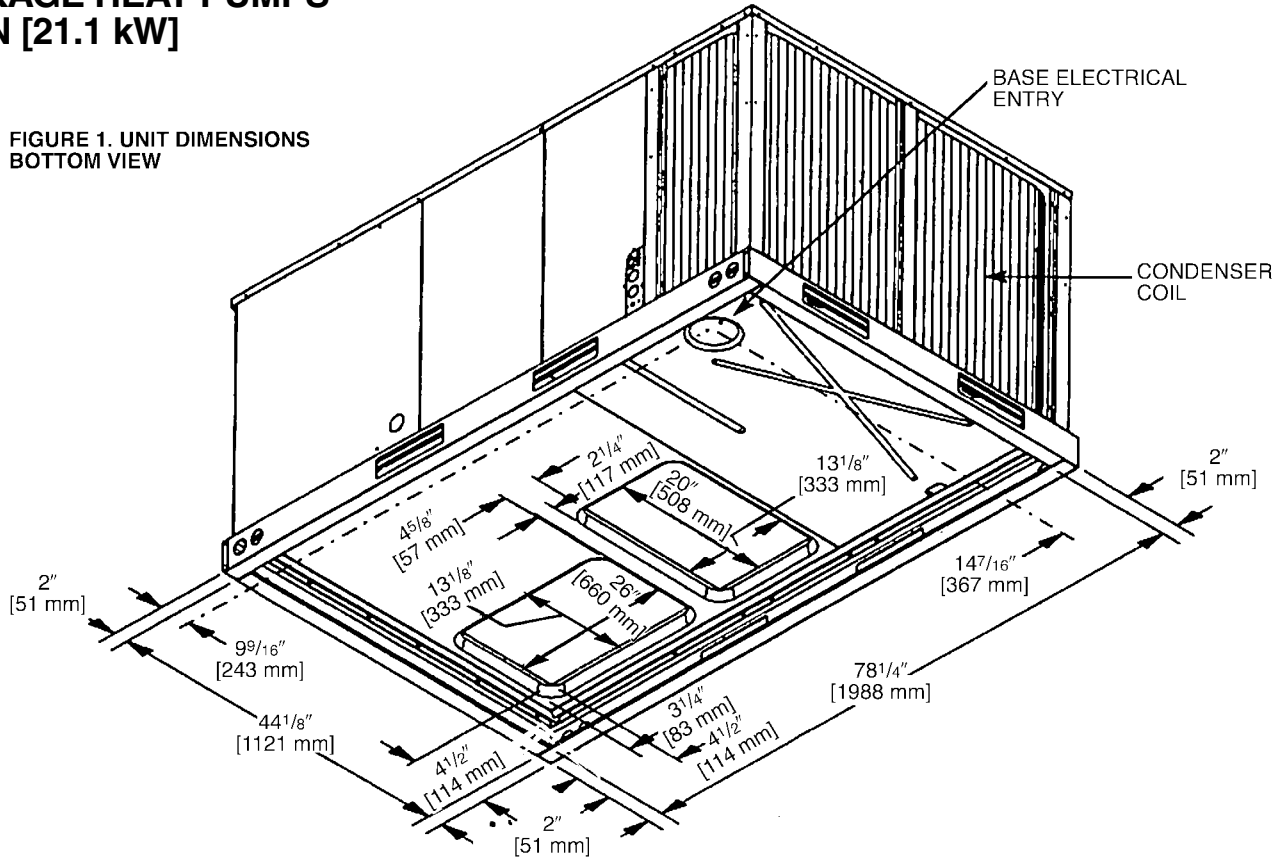
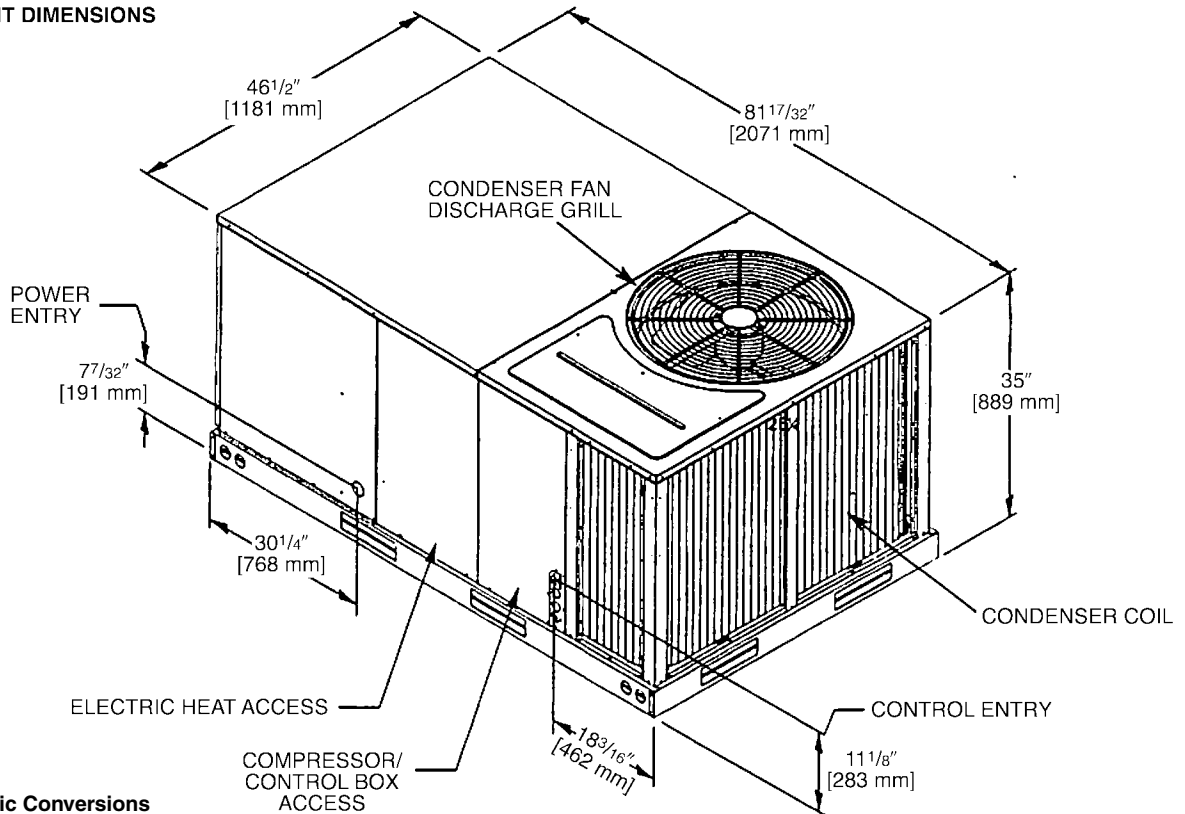


FIGURE 2. UNIT DIMENSIONS



[] Designates Metric Conversions



SELECTION PROCEDURE

1. Determine cooling and heating requirements at design conditions.

Example:

- Total cooling capacity43,600 BTUH [12.78 kW]
- Sensible cooling capacity34,000 BTUH [9.96 kW]
- Condenser entering air95°F [35°C]
- Evaporator entering air63°F [17°C] wb/76°F [24°C] db
- Indoor air flow1600 CFM [755 L/s]
- External static pressure1.1 in wg
- Required efficiency13 SEER

2. Select unit to meet cooling requirements.

Since total cooling is within the range of 4 ton [14.07 kW] unit and requires 13 SEER efficiency level, enter cooling performance table, at 95°F [35°C] outdoor temperature, 63°F [17°C] wb entering indoor air, and 1600 CFM [755 L/s]:

- Total capacity46,700 BTUH [13.68 kW]
- Power input3.3 kW

And also, at 76°F [24°C] db indoor entering air, and using the formula at the bottom of the page:

- Sensible capacity33,710 BTUH [9.87 kW]

3. Determine blower speed and power to meet the system requirements.

At the given external static pressure of 1.1 in wg, the belt model must be selected. Enter the belt drive blower performance table at 1600 CFM [755 L/s] and 1.1 in wg ESP:

- RPM1205
- Watts725
- DriveM

4. Calculate indoor blower BTUH heat effect.

$$\text{BTUH} = \text{Watts} \times 3.413 = 2474$$

5. Calculate net cooling capacities.

- Net total cooling = 46,700 – 2474 = 44,226 BTUH [12.96 kW]
- Net sensible cooling = 33,716 – 2474 = 31,242 BTUH [9.16 kW]

[] Designates Metric Conversions

WEIGHTS

Accessory	3-5 Ton [10.6-17.6 kW]		6 Ton [21.1 kW]	
	Shipping	Operating	Shipping	Operating
	lbs [kg]	lbs [kg]	lbs [kg]	lbs [kg]
Economizer with Single Enthalpy	70 [32]	60 [27]	80 [36]	70 [32]
Power Exhaust	19 [9]	16 [7]	21 [10]	17 [8]
Fresh Air Damper (Manual)	11 [5]	9 [4]	14 [6]	12 [5]
Fresh Air Damper (Motorized)	13 [6]	11 [5]	16 [7]	14 [6]
Roof Curb 14"	92 [42]	88 [40]	92 [42]	88 [40]
Roof Curb 24"	108 [49]	104 [47]	108 [49]	104 [47]
Concentric Diffuser 18" Flush	37 [17]	26 [12]	37 [17]	26 [12]
Concentric Diffuser 20" Flush	54 [24]	42 [19]	54 [24]	42 [19]
Side Discharge Concentric Diffuser RXRN-FA60	35 [16]	20 [9]	—	—
Side Discharge Concentric Diffuser RXRN-FA65	55 [25]	40 [18]	55 [25]	40 [18]

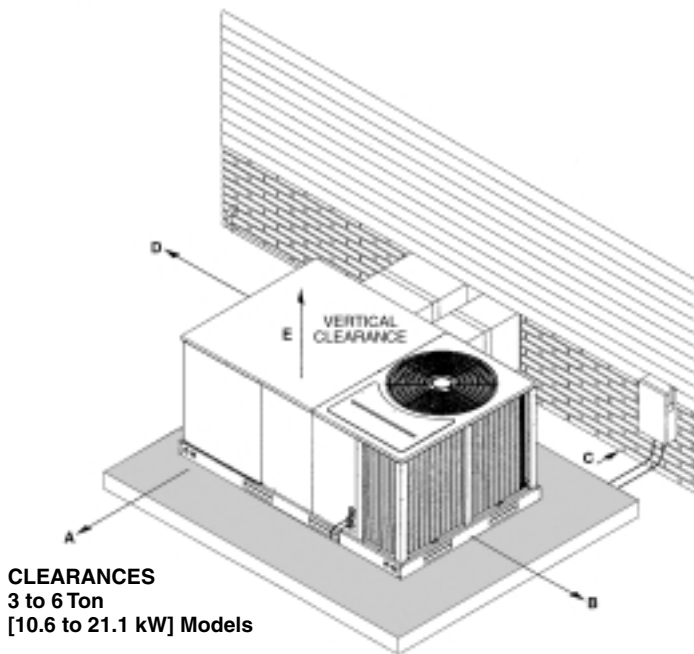
CLEARANCES

(3 to 6 Ton [10.6 to 21.1 kW] Models)

The following minimum clearances are recommended for proper unit performance and serviceability.

Recommended Clearance in. [mm]	Location
48 [1219]	A - Front
18 [457]	B - Condenser Coil
*12 [305]	C - Duct Side
36 [914]	D - Evaporator End
60 [1524]	E - Above
*57 [1448 mm] With Economizer	

NOTE: Supply duct may be installed with "0" inch clearance to combustible materials, provided 1" [25.4 mm] minimum. Fiberglass insulation is applied either inside or on the outside of the duct.

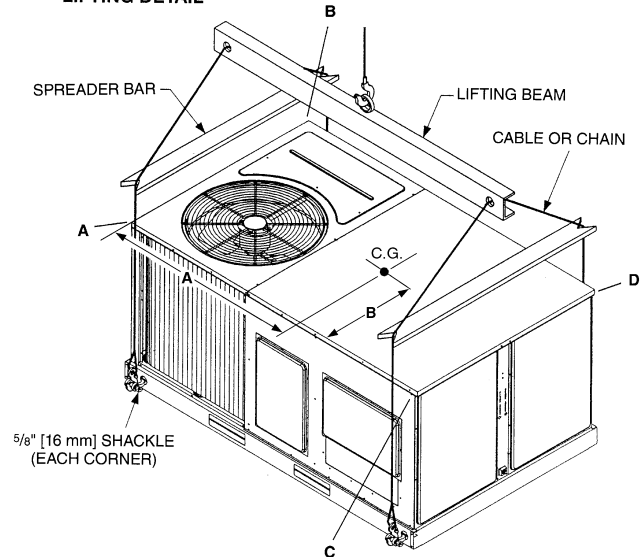


CENTER OF GRAVITY (C.G.)

Capacity Tons [kW]	A in. [mm]	B in. [mm]
3-5 [10.6-17.6]	38 ¹ / ₄ [972]	25 ³ / ₄ [654]
6 [21.1]	39 [991]	26 ¹ / ₈ [664]

Capacity Tons [kW]	Corner Weights by Percentage			
	A	B	C	D
3-5 [10.6-17.6]	22%	27%	23%	28%
6 [21.1]	23%	29%	21%	27%

LIFTING DETAIL



[] Designates Metric Conversions



ACCESSORY EQUIPMENT

Description	Model Number		Factory Installed
	3-5 Ton [10.6-17.6 kW] (RJNL/RJPL)	6 Ton [21.1 kW] (RJNL)	
Electric Heater Kits	RXJJ-A06* (J,C,D)	RXJJ-A15* (C,D,Y) RXJJ-A20* (C,D,Y) RXJJ-A24* (C,D,Y)	See Heater Kit Electric Table
	RXJJ-A10* (J,C,D)		
	RXJJ-A11* (J,C,D)		
	RXJJ-A12* (J,C,D)		
	RXJJ-A15* (J,C,D)		
	RXJJ-A20* (J,C,D)		
	RXJJ-A21* (J,C,D)		
	RXJJ-A24* (J,C,D)		
Roofcurb 14"	RXKG-CAD14	RXKG-CAD14	No
Roofcurb 24"	RXKG-CAD24	RXKG-CAD24	No
Roofcurb Adaptors	RXRX-BBCDB21	N/A	No
	RXRX-BBCDB22		
	RXRX-BBCDB23		
Economizer with Single Enthalpy	RXRD-MECM3	RXRD-MCCM3	Yes
Dual Enthalpy Kit	RXRX-AV02	RXRX-AV02	No
CO2 Sensor	RXRX-AR02	RXRX-AR02	No
Power Exhaust	RXRX-BGF04* (C or D) (use C for J voltage)	RXRX-BGF03* (C,D,Y)	No
Fresh Air Damper Manual	RXRF-FBA1	RXRF-FCA1	No
Fresh Air Damper Motorized	RXRF-FBB1	RXRF-FCB1	No
Rectangular to Round 18" Duct Adaptors for Concentric Diffuser	RXMC-CB03	N/A	No
Rectangular to Round 20" Duct Adaptors for Concentric Diffuser	RXMC-CB04	RXMC-CC04	No
Concentric Diffuser 18" Step (Side discharge)	RXRN-FA60	N/A	No
Concentric Diffuser 20" Step (Side discharge)	RXRN-FA65	RXRN-FA65	No
Concentric Diffuser 18" Flush	RXRN-FA70	N/A	No
Concentric Diffuser 20" Flush	RXRN-FA75	RXRN-FA75	No
Rectangular to Round 16" Side	RXMC-BB01	N/A	No
Louver Kit (3 Sides)	RXRX-AAD01B	RXRX-AAD01B	Yes
Time Delay	RXMS-B01	N/A	Yes
Low Ambient Control to 0°F [-18°C]	RXPZ-G01	RXPZ-G01	Yes
Thermostats	See Thermostat Spec Sheet (T11-001)		No

*Voltage
 J = 208-230 VAC-1PH-60HZ D = 460 VAC-3PH-60HZ
 C = 208-230 VAC-3PH-60HZ Y = 575 VAC-3PH-60HZ

NOTES: ① Economizer is designed for downflow
 or horizontal applications.

[] Designates Metric Conversions

THERMOSTATS



100-Series *
Non-Programmable



200-Series *
Programmable



300-Series *
Deluxe
Programmable



400-Series *
Special Applications/
Programmable

500-Series *
Communicating/
Programmable

Brand	Unique Model Number Prefix	Descriptor (3 Characters)	Series (3 Characters)	System (2 Characters)	Type (2 Characters)
RHC	-	TST	101	GE	MS
RHC=Rheem		TST=Thermostat	100=Non-Programmable 200=Programmable 300=Deluxe Programmable 400=Special Applications/ Programmable 500=Communicating/ Programmable	GE=Gas/Oil/Electric HP=Heat Pump MD=Modulating Furnace DF=Dual Fuel UN=Universal AC/HP/GE CM=Communicating	SS=Single-Stage MS=Multi-Stage

* Photos are representative. Actual models may vary.

For detailed thermostat match-up information, see specification sheet form number T11-001.



Roofcurb Adapters

Old Models

MEDIUM CABINET (3 TON [11 kW])

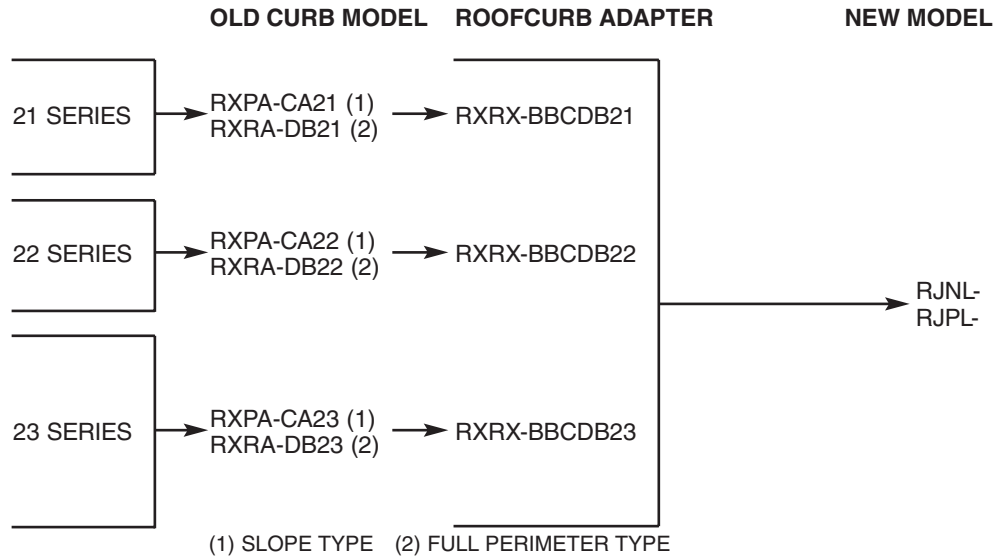
(-)SNC, (-)SND, (-)SNE
 (-)RGE, (-)RGF, (-)RGG
 (-)PNC, (-)PND

LARGE CABINET (3-3.5 TON [11-12 kW])

(-)RGE, (-)RGF, (-)RGG,
 (-)RGH (3 TON [11 kW])

EXTRA LARGE CABINET (3.5-5 TON [12-18 kW])

(-)SNC, (-)SND, (-)SNE
 (-)RGE, (-)RGF,
 (-)RGG (4-5 TON [14-18 kW])
 (-)PNC, (-)PND, (-)RGH
 (3.5, 4 TON [12-14 kW])

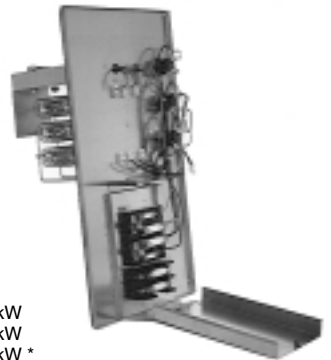
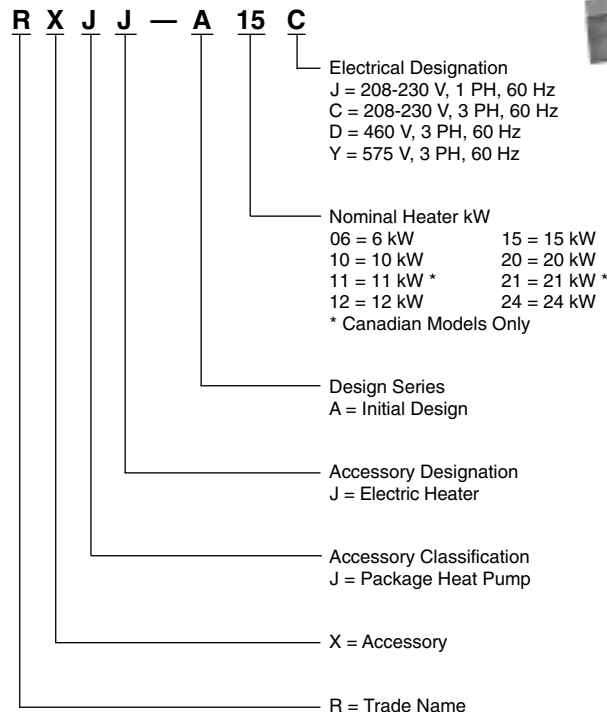


Field Installed Resistance Heater Kits

Electric Heater Kits are designed for field installation using either single-point power wiring or dual circuit wiring. Low voltage plugs are provided to allow for quick connection to the unit. Removing a block-off panel on the unit allows the heater elements to be inserted into the supply air stream from the indoor coil and supply air blower.

[] Designates Metric Conversions

Model Number Identifier:



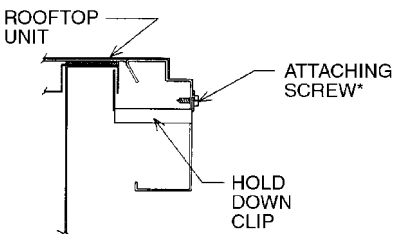
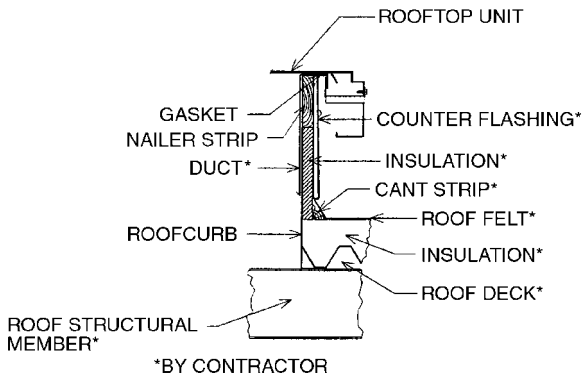
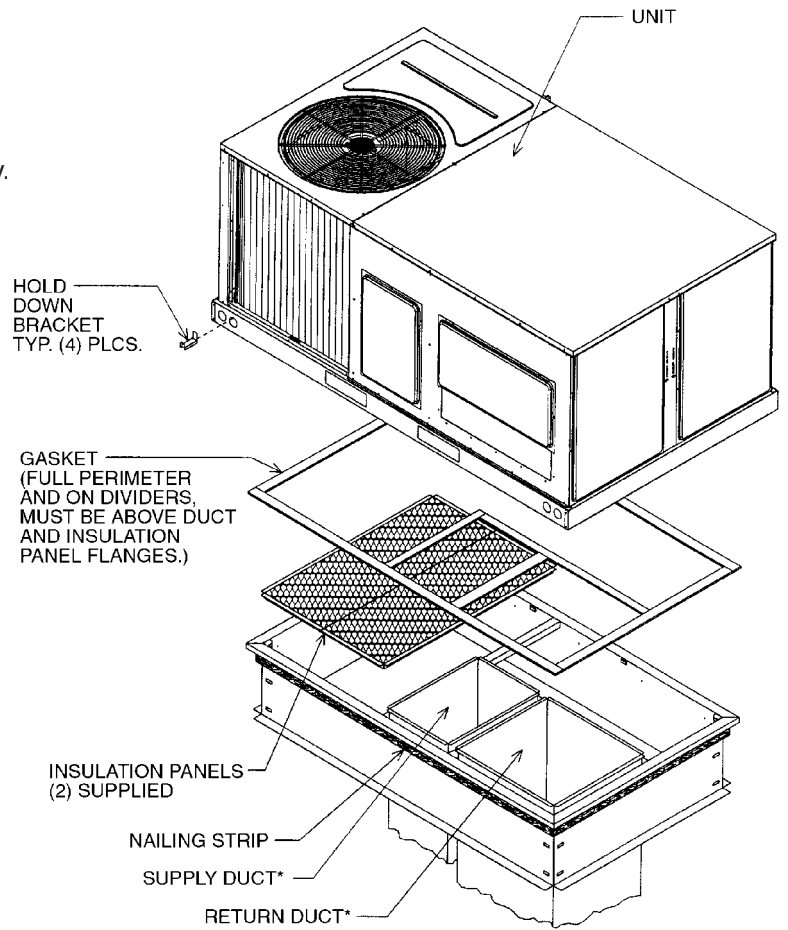
ROOFCURBS (Full Perimeter)

- Rheem's new roofcurb design can be utilized on 3 through 6 ton [10.6-21.1 kW] models.
- Two available heights (14" [356 mm] and 24" [610 mm]) for ALL models.
- Quick assembly corners for simple and fast assembly.
- Opening provided in bottom pan to match the "Thru the Curb" electrical connection opening provided on the unit base pan.
- 2" [51 mm] x 4" [102 mm] Nailers provided.
- Insulating panels provided.
- Sealing gasket (28" [711 mm]) provided with Roofcurb.
- Packaged for easy field assembly.

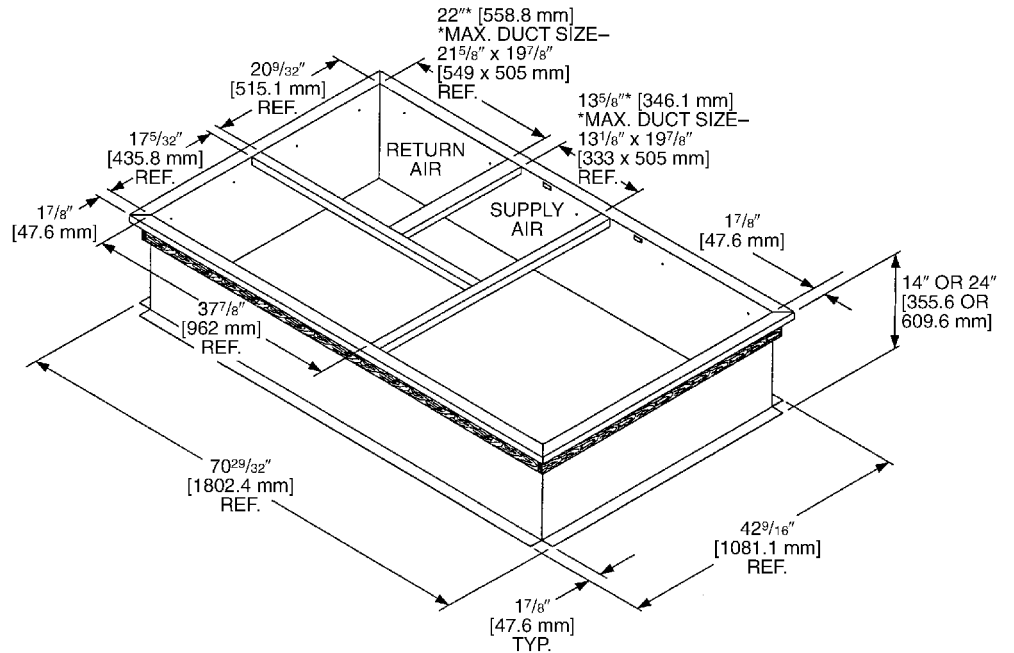
Roofcurb Model	Height of Curb
RXKG-CAD14	14" [356 mm]
RXKG-CAD24	24" [610 mm]

[] Designates Metric Conversions

TYPICAL INSTALLATION

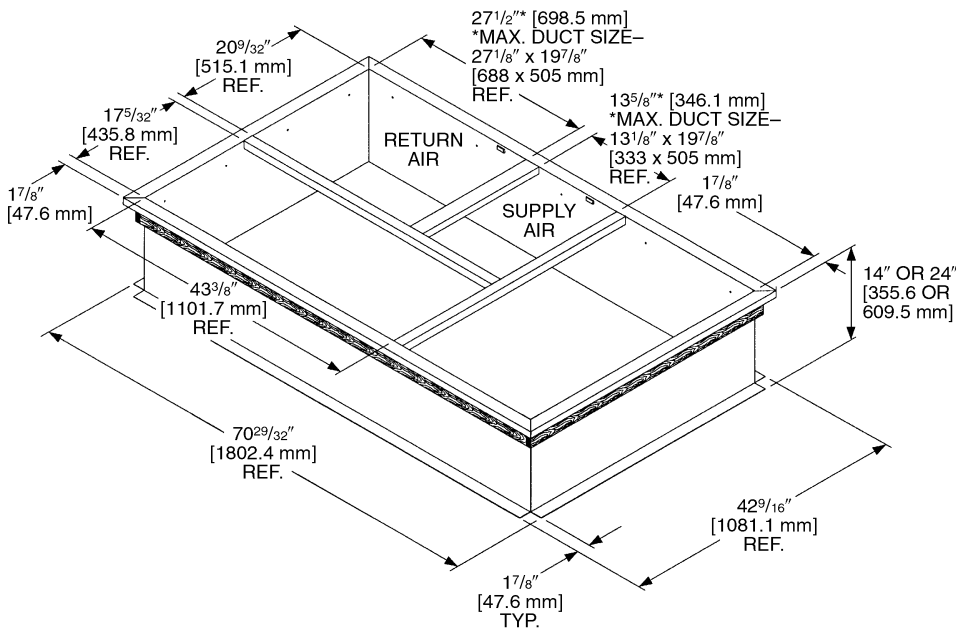


ROOFCURBS (Cont.)



**ROOFCURB CONFIGURATION FOR
RJNL/RJPL 3-5 TON [10.6-17.6 kW] MODELS**

ROOFCURB CONFIGURATION FOR RJNL 6 TON [21.1 kW] MODELS



[] Designates Metric Conversions

Note: Roofcurb kits are the same for all models. (Figures above show locations for cross members that are model specific)

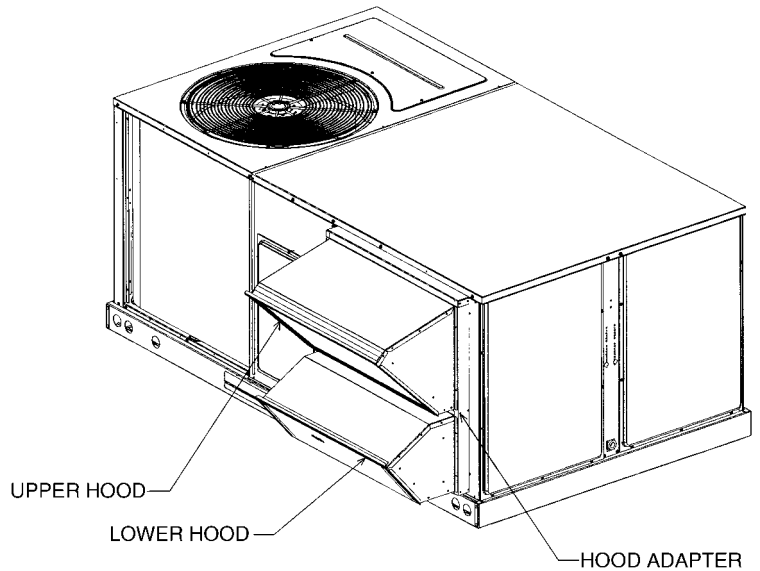
ECONOMIZERS

RXRD-MECM3—3-5 Ton [10.6-17.6 kW] Models Single Enthalpy with Barometric Relief
RXRD-MCCM3—6 Ton [21.1 kW] Models Single Enthalpy with Barometric Relief

RXXR-AV02—Dual Enthalpy Kit
3-6 Ton [10.6-21.1 kW] Models
Optional CO₂ Sensor

RXXR-AR02—3-6 Ton [10.6-21.1 kW] Models

- Features **Honeywell** Controls
- Available factory installed or field accessory
- Gear Driven Direct Drive Actuator
- Fully Modulating (0-100%)
- Low Leakage Dampers
- Horizontal or Downflow Applications
- Slip-In Design for Easy Installations
- Plug-In Polarized 12-pin Electrical Connections
- Pre-configured—No Field Adjustments Necessary
- Standard Barometric Relief Damper Provided
- Single Enthalpy with Dual Enthalpy Upgrade Kit
- CO₂ Input Sensor Available (Field Installed)
- Economizer slips in complete for Downflow or Horizontal Duct application
- Field Assembled Hood Ships with Economizer
- Optional Remote Minimum Position (Honeywell #S963B1128) is Available from ProStock
- Field Installed Power Exhaust Available



[] Designates Metric Conversions

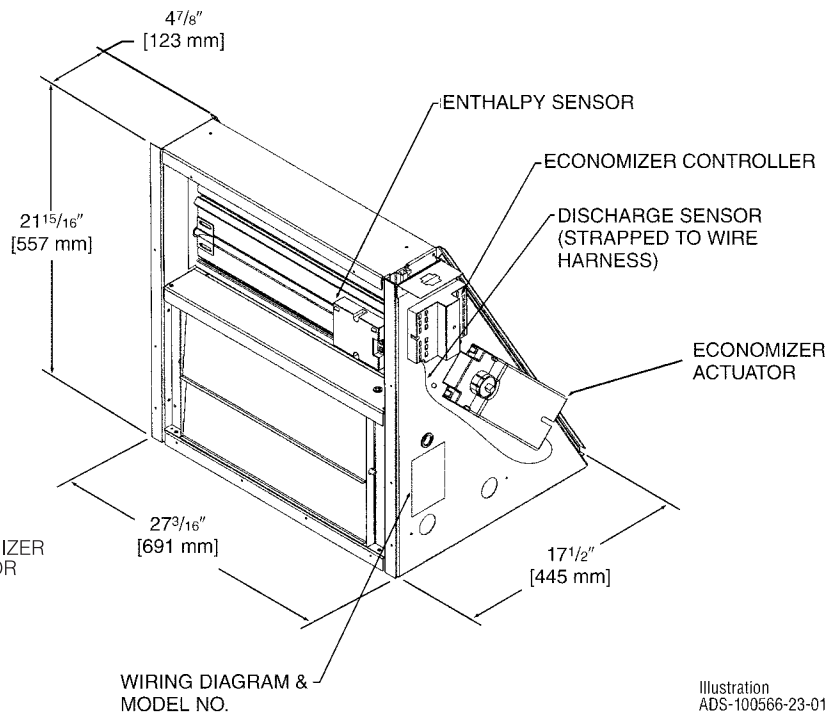
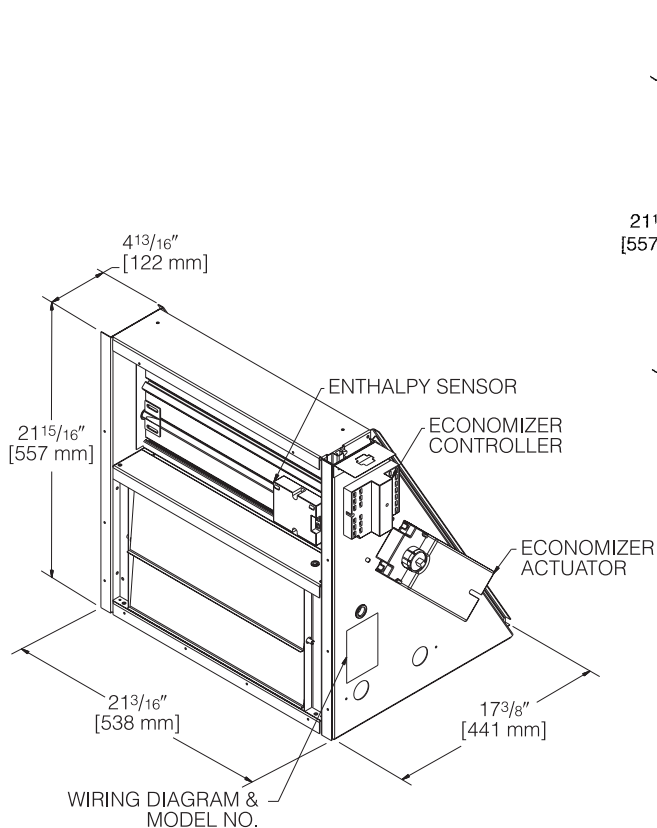


Illustration
 ADS-100566-23-01

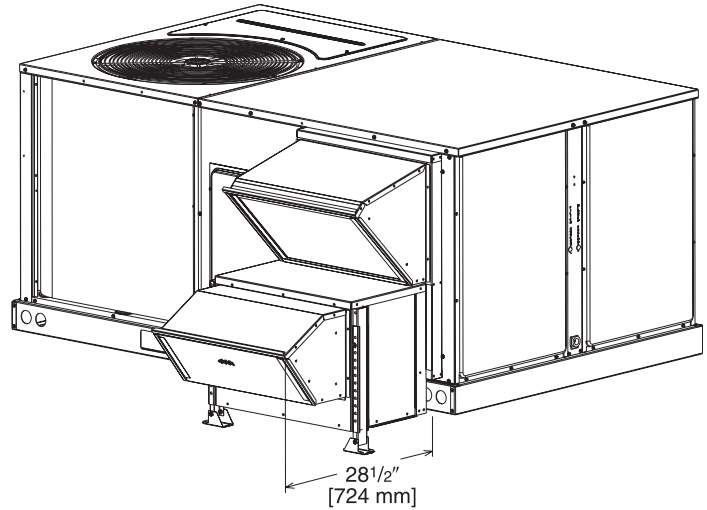
RJNL 6 Ton [21.1 kW] Models

RJNL 3-5 Ton [10.6-17.6 kW] Models
RJPL 3-5 Ton [10.6-17.6 kW] Models

INTEGRAL POWER EXHAUST FOR ECONOMIZER (FIELD INSTALLED ONLY)

RXXR-BGF04C—3-5 Ton [10.6-17.6 kW] Models 208-230 V, 1 PH, 60 Hz for RXRD-MECM3 Economizer
 RXXR-BGF04D—3-5 Ton [10.6-17.6 kW] Models 460 V, 3 PH, 60 Hz for RXRD-MECM3 Economizer
 RXXR-BGF03C—RJNL 6 Ton [21.1 kW] for RXRD-MCCM3 Economizer
 RXXR-BGF03D—RJNL 6 Ton [21.1 kW] for RXRD-MCCM3 Economizer
 RXXR-BGF03Y—RJNL 6 Ton [21.1 kW] for RXRD-MCCM3 Economizer

- Downflow or horizontal applications
 Requires separate 208-230 volt – 1 PH power supply with disconnect or requires separate 460V – 3 PH power supply with disconnect.
- Adjustable switch on economizer, factory preset to energize power exhaust at 95% outside air position
- Polarized plug connects power exhaust relay to economizer



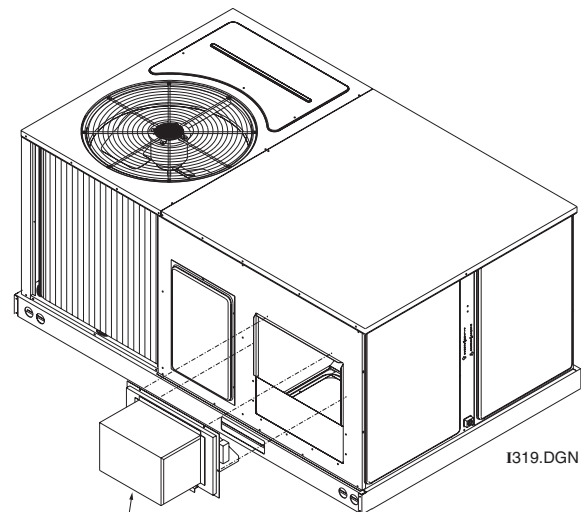
POWER EXHAUST KIT FOR RXRD-MCCM(-), RXRD-MECM(-) ECONOMIZERS

Model No.	No. of Fans	Volts	Phase	Watts	High Speed		FLA	LRA
					CFM ①	RPM		
RXXR-BGF03C ③	1	208/230	1	1000	2500	1725	4.4	23.7
RXXR-BGF03D	1	460	1	800	2370	1620	1.8	4.1
RXXR-BGF04C	1	208/230	1	1000	2500	1725	4.4	23.7
RXXR-BGF04D	1	460	1	800	2370	1620	1.8	4.1
RXXR-BGF04Y ②	1	575	1	800	2370	1620	1.5	3.3

- ① CFM is at 0" W.C. external static pressure.
 ② Unit includes 575 to 460 Volt step-down transformer.
 ③ Use "C" power exhaust for J voltage units.

FRESH AIR DAMPER

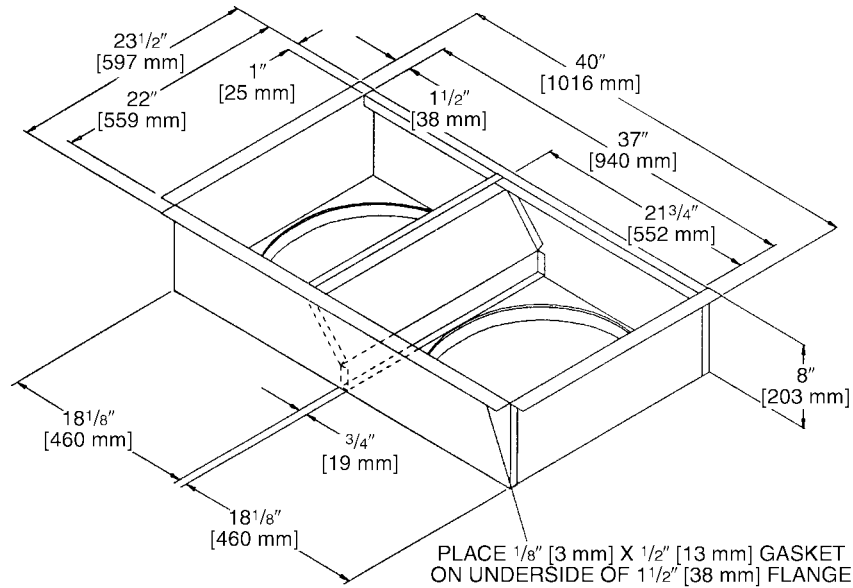
RJNL 6 Ton [21.1 kW] Models
 RXRF-FCA1 (Manual)
 RXRF-FCB1 (Motorized)



FRESH AIR DAMPER

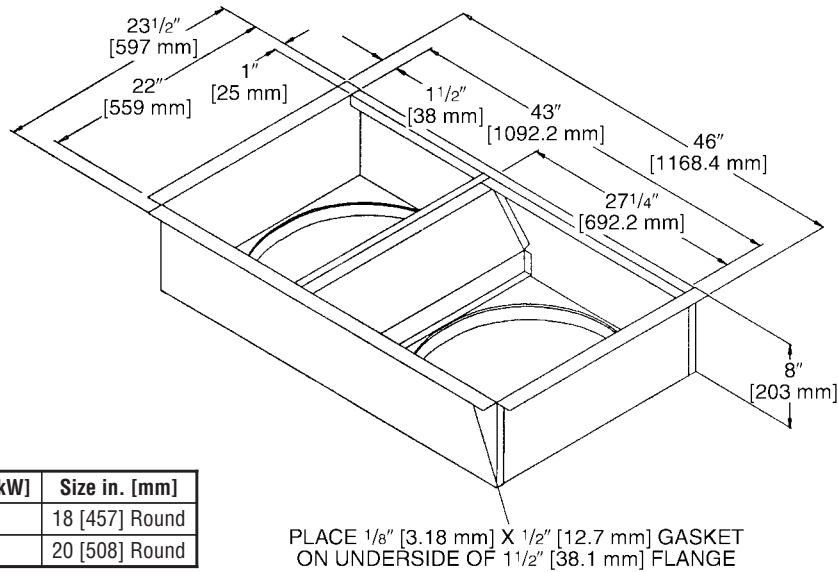
DUCT ADAPTERS (3 TO 5 TON [10.6 TO 17.6 kW] MODELS) Rectangular to Round Transitions (Downflow) RXMC-CB03 – 18" [457 mm] Round

Available in 18 inch round to fit all units. Drops into and secures to RXKG- Series Roofcurbs. For use with Concentric Diffusers.



[] Designates Metric Conversions

DUCT ADAPTERS (RJNL 6 Ton [21.1 kW] Models) Rectangular to Round Transitions (Downflow) RXMC-CC04 20" [508 mm] Round



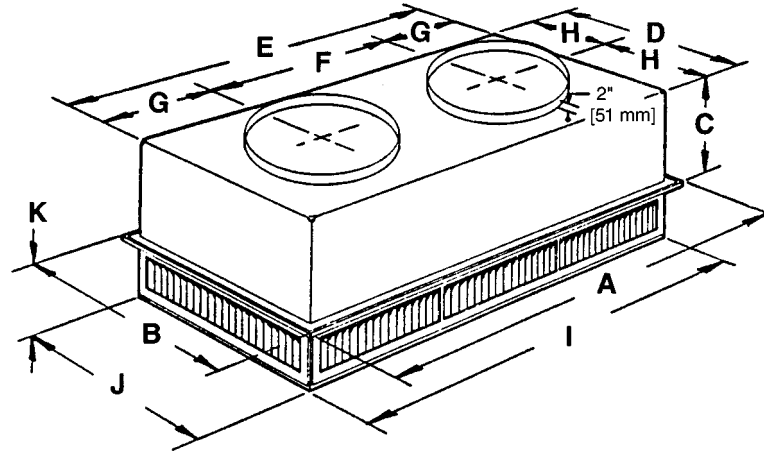
Accessory Model No.	Model Application Tons [kW]	Size in. [mm]
RXMC-CB03	3-5 [10.6-17.6]	18 [457] Round
RXMC-CC04	6 [21.1]	20 [508] Round

[] Designates Metric Conversions

SIDE DISCHARGE CONCENTRIC DIFFUSER

RXRN-FA60 (3 to 5 Ton [10.6 to 17.6 kW] Models)
 RXRN-FA65 (6 Ton [21.1 kW] Model)

For Use With Duct Adapter (RXMC)



DIMENSIONAL DATA

Model No.	A	B	C	D	E	F	G	H	I	J	K	Duct Size
RXRN-FA60	47 ⁵ / ₈ " [1210 mm]	23 ⁵ / ₈ " [600 mm]	11 ³ / ₈ " [289 mm]	21 ¹ / ₂ " [546 mm]	45 ¹ / ₂ " [1156 mm]	22 ¹ / ₂ " [572 mm]	11 ¹ / ₂ " [292 mm]	10 ³ / ₄ " [273 mm]	45 ¹ / ₂ " [1156 mm]	21 ¹ / ₂ " [546 mm]	7 ¹ / ₈ " [181 mm]	18RD
RXRN-FA65	47 ⁵ / ₈ " [1210 mm]	29 ⁵ / ₈ " [752 mm]	14 ³ / ₈ " [365 mm]	27 ¹ / ₂ " [699 mm]	45 ¹ / ₂ " [1156 mm]	22 ¹ / ₂ " [572 mm]	11 ¹ / ₂ " [292 mm]	13 ³ / ₄ " [349 mm]	45 ¹ / ₂ " [1156 mm]	27 ¹ / ₂ " [699 mm]	8 ¹ / ₈ " [206 mm]	20RD

ENGINEERING DATA

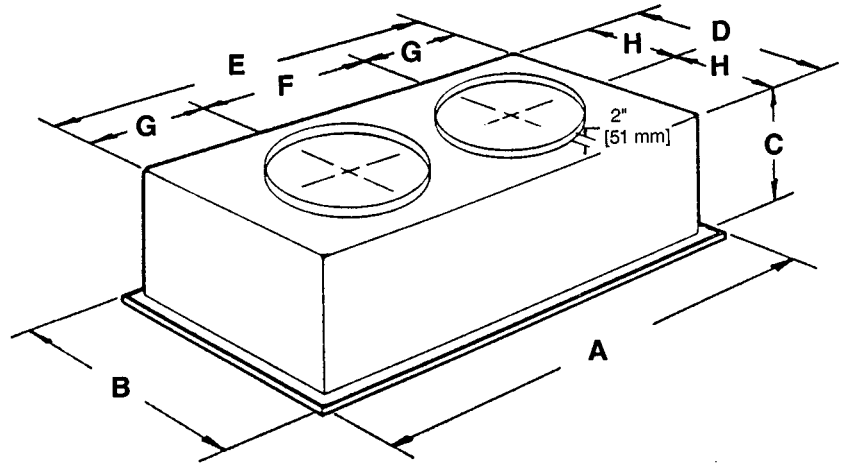
Model No.	CFM [L/s]	Static Pressure	Throw Feet	Neck Vel.	Jet Vel.	Noise Level
RXRN-FA60	1000 [472]	.14	10-17	351	351	20
	1200 [566]	.17	11-18	421	421	20
	1400 [661]	.20	12-19	491	491	20
	1600 [755]	.24	12-20	561	561	20
	1800 [850]	.30	13-21	632	632	20
	2000 [944]	.36	14-23	702	702	20
RXRN-FA65	2200 [1038]	.40	16-25	772	772	20
	2600 [1227]	.17	24-29	669	669	20
	2800 [1321]	.20	25-30	720	720	25
	3000 [1416]	.25	27-33	772	772	25
	3200 [1510]	.31	28-35	823	823	25
3400 [1605]	.37	30-37	874	874	30	

[] Designates Metric Conversions

FLUSH MOUNT CONCENTRIC DIFFUSER

RXRN-FA70 (3 to 5 Ton [10.6 to 17.6 kW] Models)
 RXRN-FA75 (6 Ton [21.1 kW] Model)

For Use With Duct Adapter (RXMC)



DIMENSIONAL DATA

Model No.	A	B	C	D	E	F	G	H	Duct Size
RXRN-FA70	47 ⁵ / ₈ " [1210 mm]	23 ⁵ / ₈ " [600 mm]	13 ¹ / ₂ " [343 mm]	21" [533 mm]	45" [1143 mm]	22 ¹ / ₂ " [572 mm]	11 ¹ / ₄ " [286 mm]	10 ¹ / ₂ " [267 mm]	18RD
RXRN-FA75	47 ⁵ / ₈ " [1210 mm]	29 ⁵ / ₈ " [752 mm]	16 ⁵ / ₈ " [422 mm]	27" [686 mm]	45" [1143 mm]	22 ¹ / ₂ " [572 mm]	11 ¹ / ₄ " [286 mm]	13 ¹ / ₂ " [343 mm]	20RD

ENGINEERING DATA

Model No.	CFM [L/s]	Static Pressure	Throw Feet	Neck Vel.	Jet Vel.	Noise Level
RXRN-FA70	1000 [472]	.14	15-20	391	694	20
	1200 [566]	.17	16-22	469	833	25
	1400 [661]	.20	17-24	547	972	30
	1600 [755]	.24	18-25	625	1111	30
	1800 [850]	.30	20-28	703	1250	35
	2000 [944]	.36	21-29	781	1389	40
	2200 [1038]	.40	22-30	859	1528	40
RXRN-FA75	2600 [1227]	.17	19-24	663	1294	30
	2800 [1321]	.20	20-28	714	1393	35
	3000 [1416]	.25	21-29	765	1492	35
	3200 [1510]	.31	22-29	816	1592	40
	3400 [1605]	.37	22-30	867	1692	40

[] Designates Metric Conversions



SAMPLE SPECIFICATIONS

Unit shall be completely factory assembled and performance tested to provide the required cooling and heating functions suitable for outdoor installations. Unit shall be UL/cUL listed and rated in accordance to AHRI Standard 210.

Cabinet

Unit casing, base pan and framework shall be manufactured of galvanized sheet metal primed and finished with powder paint capable of withstanding a 1000-hour salt spray test per ASTM B 117. Unit interior cabinet surfaces shall be insulated with a minimum 1/2-inch thick foil faced insulation. Access panels shall be easily removable providing access to the blower, filter, heating compartment, and compressor/control box. Unit base rails shall be provided with fork insertion slots and rigging holes. Condensate drain pan shall be of sloped design to conform to ASHRAE 62. Unit shall be supplied ready for vertical airflow and be easily convertible to horizontal airflow at or before installation.

Compressor(s)

Unit shall be provided with fully hermetic scroll compressor(s) with internally protected safety controls.

Coils

The evaporator and condenser coils shall be fabricated of copper tubes with mechanically bonded aluminum plate fins. They shall be pressure tested prior to assembly into the unit, and electronically leak tested after assembly.

Condenser Fan

A single direct drive propeller fan shall discharge air vertically upward. The fan motor shall be permanently lubricated and have built-in overload protection.

Evaporator Blower

A single, double inlet, centrifugal wheel shall rotate in permanently lubricated ball bearings. The wheel shall be made from steel with corrosion resistant finish and shall be statically and dynamically balanced.

ACCESSORIES

ROOF CURB

Curb shall be full perimeter type, complying with the standards of the National Roofing Contractors Association. Design shall provide for drop-in of supply and return ducts prior to setting unit, and include an insulating panel for the rest of the curb area.

Economizer

Economizer shall be completely assembled for field installation. Unit shall include all controls and dampers including the barometric relief damper.

Manual Fresh Air Damper

Damper shall consist of damper and rainhood which is manually preset to admit up to 35% of outside air for field installation.

Motorized Fresh Air Damper

Damper shall consist of motor, damper, and rainhood which can admit up to 35% of outside air for field installation.

Electric Heat Kits

Electric heat kits shall be available in a wide range of capacity with branch circuit fusing allowing single point wiring. Kits shall be UL/cUL approved. Each kit shall be offered as a field or factory installed option.

Pressure Controls

High control shall be included for field or factory installation. High and low pressure controls are standard for 6 ton models.

Low Ambient Control

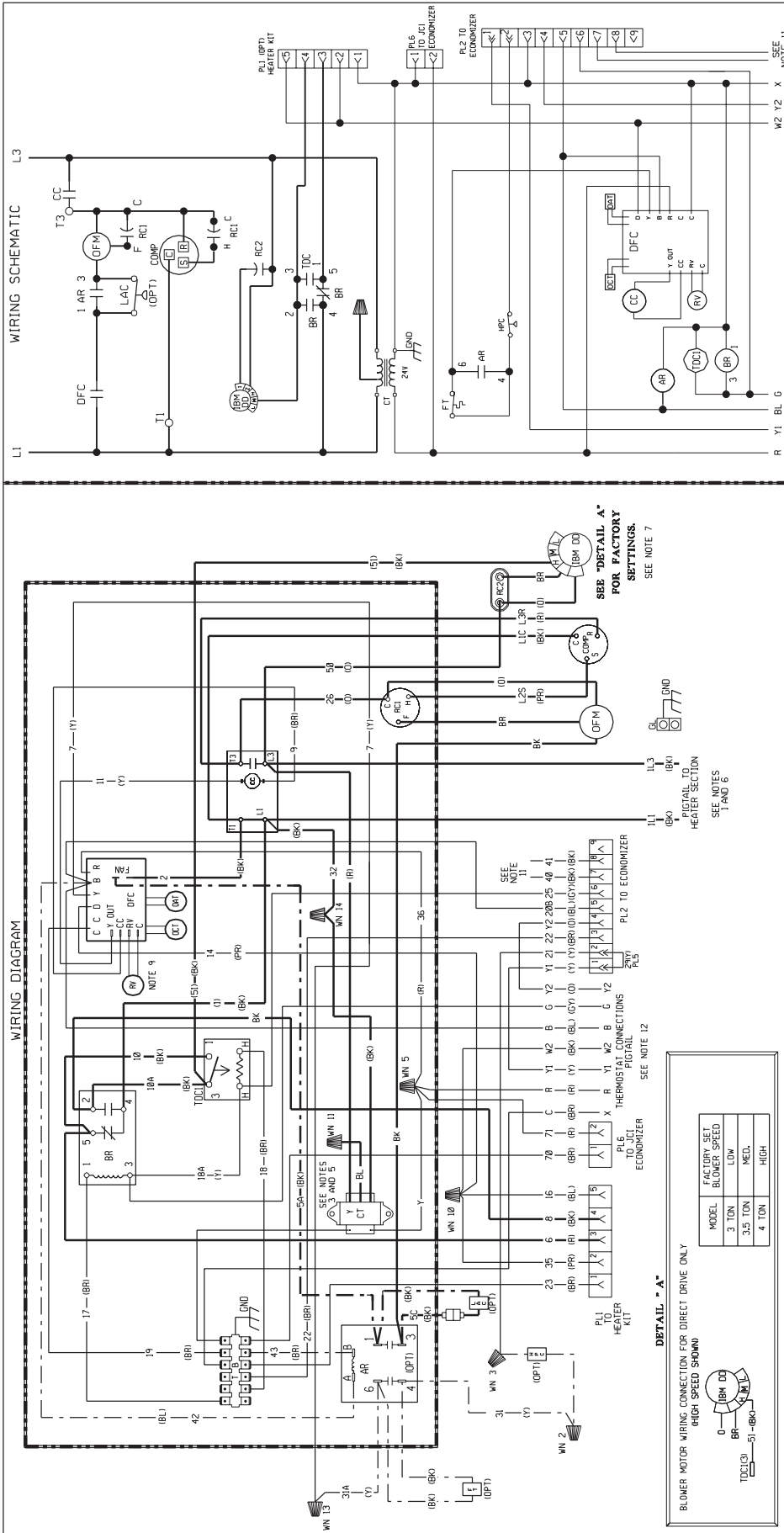
Low ambient control shall be provided to cycle the condenser fan in response to condensing pressure and allow operation to 0 degrees F. The option shall be field or factory installed.

Time Delay Control

Time delay control shall be provided to prevent the compressor from restarting 5 minutes after shutdown. The control shall be field or factory installed. Standard for 6 ton models.

Louver Panel Kits

Field or factory installed louver kits shall be provided for condenser coil protection against hail or flying debris.



WIRING SCHEMATIC

L3

L1

R1 BL G

R2 Y2 X NOTE 11

WIRING INFORMATION

LINE VOLTAGE
-FACTORY STANDARD
-FACTORY OPTION
-FIELD INSTALLED

LOW VOLTAGE
-FACTORY STANDARD
-FACTORY OPTION
-FIELD INSTALLED

REPLACEMENT WIRE
-MUST BE THE SAME SIZE AND TYPE OF INSULATION AS ORIGINAL (105 C° MIN.)

WARNING
-CABINET MUST BE PERMANENTLY GROUNDED AND CONFORM TO I.E.C., N.E.C., C.E.C. AND LOCAL CODES AS APPLICABLE.

WIRE COLOR CODE

BK	BLACK	GY	GRAY	R	RED
BR	BROWN	O	ORANGE	W	WHITE
BL	BLUE	PK	PINK	Y	YELLOW
G	GREEN	PR	PURPLE		

ELECTRICAL WIRING DIAGRAM

208 / 230∅, 1 PHASE
DIRECT DRIVE
HEAT PUMP

WIRING DIAGRAM

CONNECTORS SUITABLE FOR USE WITH COPPER CONDUCTORS ONLY. COMPRESSOR MOTOR THERMALLY PROTECTED ALL 3 PHASE MODELS ARE PROTECTED UNDER PRIMARY SINGLE PHASE CONDITIONS.

CONTROL TRANSFORMER PRIMARY LEADS: RED-COM, BLUE-208V, Y & Y2 MODELS; INTERCHANGE BLACK & BLUE LEADS FOR 208 VOLT OPERATION.

CONTRACTOR FACTORY WIRED: CONNECT FIELD WIRE TO FACTORY LOW VOLTAGE CIRCUIT IS N.E.C. CLASS 2 WITH A CLASS 2 TRANSFORMER, 24V, 50/60 HZ SUPPLIED.

UNWIRING DISCONNECTING IN GROUNDED RAIN TIGHT CONDUIT TO 60 SECONDS.

MOTOR FACTORY WIRED FOR CORRECT SPEED.

SEE FUSE LABEL ON UNIT FUSE BOX FOR FUSE SIZING AND REVERSING VALVE ENERGIZED IN HEATING.

ALL SWITCHES ARE SHOWN IN COOLING POSITION.

WIRES FROM PL2 (7 & 8) GO TO THE MIXED AIR SENSOR ON THE ECONOMIZER.

W1 IS USED ONLY FOR THE OPTIONAL ECONOMIZER.

NOTES:

- CONNECTORS SUITABLE FOR USE WITH COPPER CONDUCTORS ONLY. COMPRESSOR MOTOR THERMALLY PROTECTED ALL 3 PHASE MODELS ARE PROTECTED UNDER PRIMARY SINGLE PHASE CONDITIONS.
- CONTROL TRANSFORMER PRIMARY LEADS: RED-COM, BLUE-208V, Y & Y2 MODELS; INTERCHANGE BLACK & BLUE LEADS FOR 208 VOLT OPERATION.
- CONTRACTOR FACTORY WIRED: CONNECT FIELD WIRE TO FACTORY LOW VOLTAGE CIRCUIT IS N.E.C. CLASS 2 WITH A CLASS 2 TRANSFORMER, 24V, 50/60 HZ SUPPLIED.
- UNWIRING DISCONNECTING IN GROUNDED RAIN TIGHT CONDUIT TO 60 SECONDS.
- MOTOR FACTORY WIRED FOR CORRECT SPEED.
- SEE FUSE LABEL ON UNIT FUSE BOX FOR FUSE SIZING AND REVERSING VALVE ENERGIZED IN HEATING.
- ALL SWITCHES ARE SHOWN IN COOLING POSITION.
- WIRES FROM PL2 (7 & 8) GO TO THE MIXED AIR SENSOR ON THE ECONOMIZER.
- W1 IS USED ONLY FOR THE OPTIONAL ECONOMIZER.

COMPONENT CODE

OPT	OPTIONAL
AR	ACCESSORY RELAY
BR	BLOWER RELAY
PLC	PLUS CONTACTOR
CC	COMPRESSOR CONTACTOR
RC	REVERSING VALVE
CT	CONTROL TRANSFORMER
TB	TERMINAL BLOCK
TDC	TIME DELAY CONTROL
WN	WIRE NUT

FACTORY SET BLOWER SPEED

MODEL	3 TON	LOW
	3.5 TON	MED.
	4 TON	HIGH

DETAIL "A"

BLOWER MOTOR WIRING CONNECTION FOR DIRECT DRIVE ONLY (HIGH SPEED SHOWN)

WIRING COLOR CODE

BK	BLACK	GY	GRAY	R	RED
BR	BROWN	O	ORANGE	W	WHITE
BL	BLUE	PK	PINK	Y	YELLOW
G	GREEN	PR	PURPLE		

WIRING SCHEMATIC

L3

L1

R1 BL G

R2 Y2 X NOTE 11

WIRING INFORMATION

LINE VOLTAGE
-FACTORY STANDARD
-FACTORY OPTION
-FIELD INSTALLED

LOW VOLTAGE
-FACTORY STANDARD
-FACTORY OPTION
-FIELD INSTALLED

REPLACEMENT WIRE
-MUST BE THE SAME SIZE AND TYPE OF INSULATION AS ORIGINAL (105 C° MIN.)

WARNING
-CABINET MUST BE PERMANENTLY GROUNDED AND CONFORM TO I.E.C., N.E.C., C.E.C. AND LOCAL CODES AS APPLICABLE.

WIRING SCHEMATIC

L3

L1

R1 BL G

R2 Y2 X NOTE 11

WIRING INFORMATION

LINE VOLTAGE
-FACTORY STANDARD
-FACTORY OPTION
-FIELD INSTALLED

LOW VOLTAGE
-FACTORY STANDARD
-FACTORY OPTION
-FIELD INSTALLED

REPLACEMENT WIRE
-MUST BE THE SAME SIZE AND TYPE OF INSULATION AS ORIGINAL (105 C° MIN.)

WARNING
-CABINET MUST BE PERMANENTLY GROUNDED AND CONFORM TO I.E.C., N.E.C., C.E.C. AND LOCAL CODES AS APPLICABLE.

WIRING SCHEMATIC

L3

L1

R1 BL G

R2 Y2 X NOTE 11

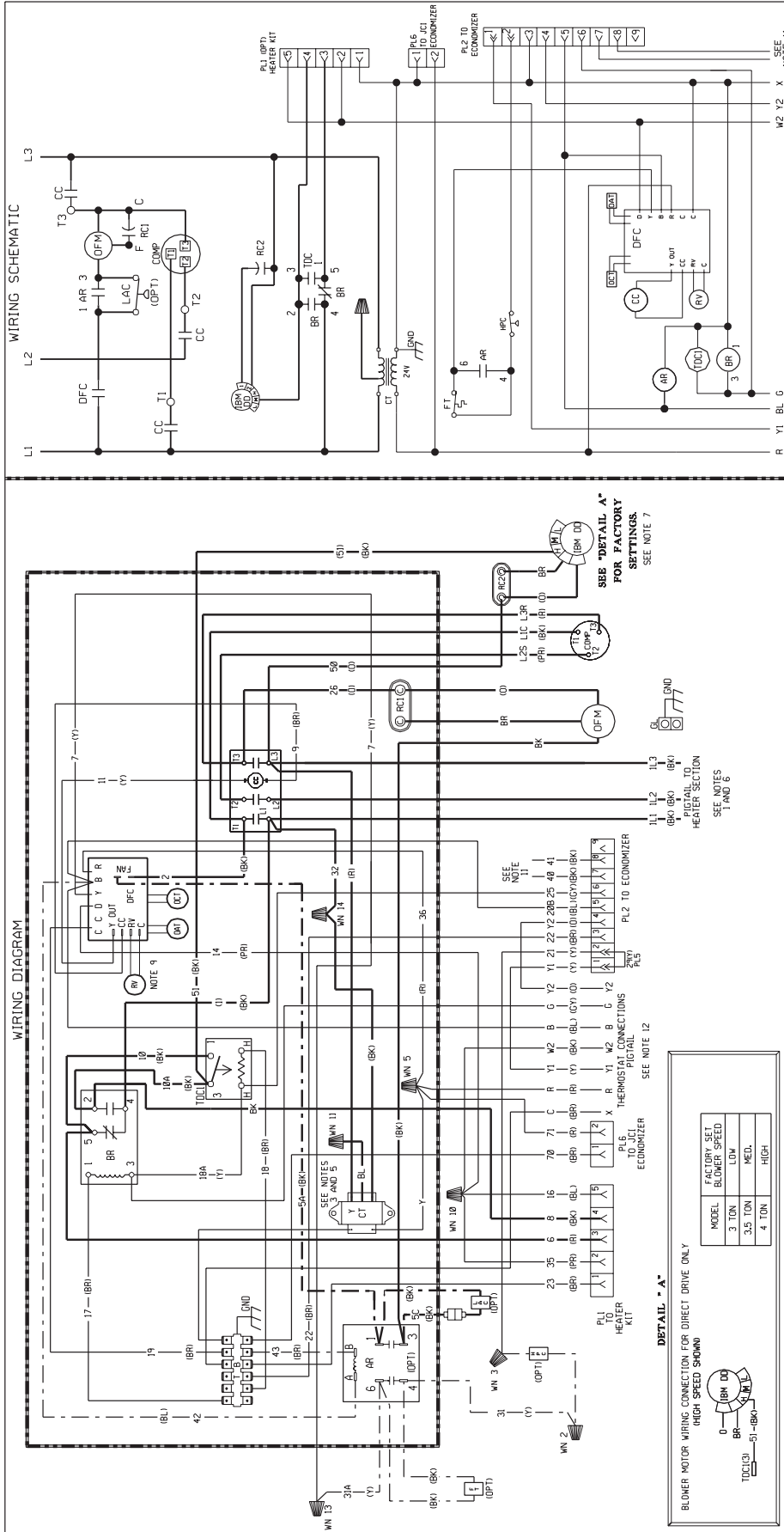
WIRING INFORMATION

LINE VOLTAGE
-FACTORY STANDARD
-FACTORY OPTION
-FIELD INSTALLED

LOW VOLTAGE
-FACTORY STANDARD
-FACTORY OPTION
-FIELD INSTALLED

REPLACEMENT WIRE
-MUST BE THE SAME SIZE AND TYPE OF INSULATION AS ORIGINAL (105 C° MIN.)

WARNING
-CABINET MUST BE PERMANENTLY GROUNDED AND CONFORM TO I.E.C., N.E.C., C.E.C. AND LOCAL CODES AS APPLICABLE.



WIRE COLOR CODE

BK BLACK GY GRAY R RED
 BR BROWN O ORANGE W WHITE
 BL BLUE PK PINK Y YELLOW
 G GREEN PR PURPLE

ELECTRICAL WIRING DIAGRAM
 208 / 230, 3 PHASE
 DIRECT DRIVE
 HEAT PUMP

WIRING INFORMATION

LINE VOLTAGE
 -FACTORY STANDARD
 -FACTORY OPTION
 -FIELD INSTALLED
 LOW VOLTAGE
 -FACTORY STANDARD
 -FACTORY OPTION
 -FIELD INSTALLED

REPLACEMENT WIRE
 -MUST BE THE SAME SIZE AND TYPE OF INSULATION AS ORIGINAL (1005 C*MIN.)

WARRANTY
 -CABINET MUST BE PERMANENTLY GROUNDED AND CONFORM TO I.E.C., N.E.C., C.E.C. AND LOCAL CODES AS APPLICABLE.

COMPONENT CODE

AR	ACCESSORY RELAY	OPT	OPTIONAL
BR	BLOWER RELAY	PL	PLUS
CC	COMPRESSOR CONTACTOR	RC	RUN CAPACITOR
COMP	COMPRESSOR	RV	REVERSING VALVE
CT	CONTROL TRANSFORMER	TB	TERMINAL BLOCK
DFC	DEFROST RELAY	TDC	TIME DELAY CONTROL
DR	DEFROST START	WN	WIRE NUT
GND	GROUND		
HPC	HIGH PRESSURE CONTROL		
IBM	INDOOR BLOWER MOTOR		
LAC	LOW AMBIENT CONTROL		
DAT	OUTDOOR AMBIENT TEMP		
OCT	OUTDOOR COIL TEMP		
OPM	OUTDOOR FAN MOTOR		

FACTORY SET BLOWER SPEED

MODEL	3 TON	LOW
	3.5 TON	MED.
	4 TON	HIGH

NOTES:

- CONNECTORS SUITABLE FOR USE WITH COPPER CONDUCTORS ONLY.
- COMPRESSOR MOTOR THERMALLY PROTECTED. ALL 3 PHASE MODELS MUST BE INSTALLED WITH THERMAL PROTECTION.
- CONTROL TRANSFORMER PRIMARY LEADS: RED, BLACK, BLUE, 208V, 230V & CT MODELS. INTERCHANGE BLACK & BLUE LEADS FOR 208 VOLT.
- CONTACTOR FACTORY WIRED. CONNECT FIELD WIRE TO FACTORY SUPPLIED CONTACTOR WIRE IN ELECTRICAL BOX.
- TRANSFORMER 24V, 50/60 HZ SUPPLIED. 2 WITH A CLASS 2 FUSED DISCONNECT.
- CONNECT FIELD WIRING IN GROUNDING RAIN TIGHT CONDUIT TO 60 HZ FUSED DISCONNECT.
- SEE FUSE LABEL ON UNIT FUSE BOX FOR FUSE SIZING AND CLASSIFICATION. FUSE SIZED IN HEATING.
- ALL SWITCHES ARE SHOWN IN COIL POSITION.
- WIRES FROM PL2 (7 & 8) GO TO THE MIXED AIR SENSOR ON THE OPTIONAL ECONOMIZER.
- W2 IS USED ONLY FOR THE OPTIONAL ECONOMIZER.

WIRING INFORMATION

LINE VOLTAGE
 -FACTORY STANDARD
 -FACTORY OPTION
 -FIELD INSTALLED
 LOW VOLTAGE
 -FACTORY STANDARD
 -FACTORY OPTION
 -FIELD INSTALLED

REPLACEMENT WIRE
 -MUST BE THE SAME SIZE AND TYPE OF INSULATION AS ORIGINAL (1005 C*MIN.)

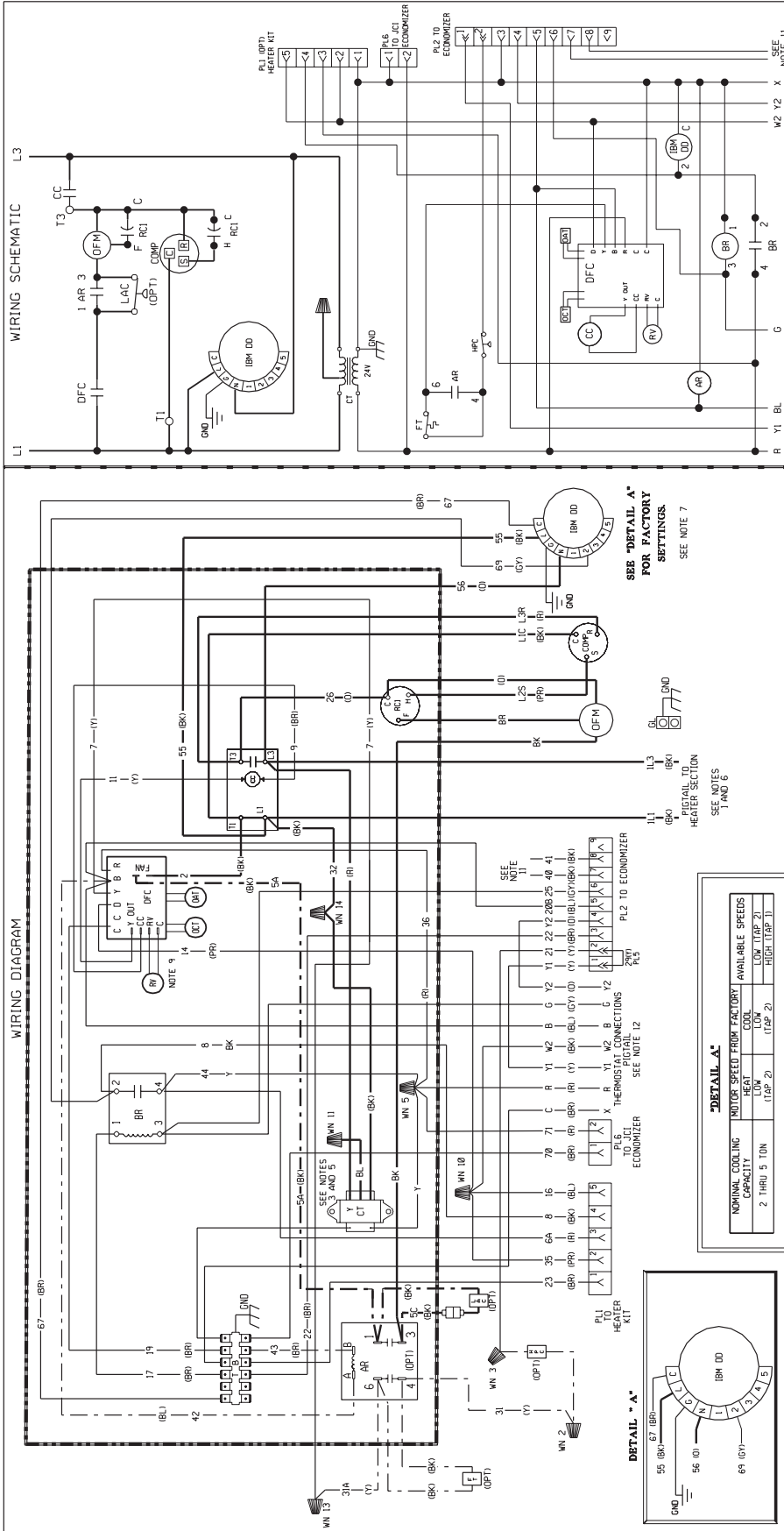
WARRANTY
 -CABINET MUST BE PERMANENTLY GROUNDED AND CONFORM TO I.E.C., N.E.C., C.E.C. AND LOCAL CODES AS APPLICABLE.

WIRE COLOR CODE

BK BLACK GY GRAY R RED
 BR BROWN O ORANGE W WHITE
 BL BLUE PK PINK Y YELLOW
 G GREEN PR PURPLE

ELECTRICAL WIRING DIAGRAM
 208 / 230, 3 PHASE
 DIRECT DRIVE
 HEAT PUMP

DR. BY MCB **APP. BY** DATE 5-18-05 **DWG. NO.** 90-23595-10 **REV** 03



WIRING SCHEMATIC

WIRING DIAGRAM

COMPONENT CODE

AR	ACCESSORY RELAY
BR	BLOWER RELAY
CC	COMPRESSOR CONTACTOR
COMP	COMPRESSOR
CT	CONTROL TRANSFORMER
DFC	DEFROST RELAY
DR	DEFROST STAT
FT	FREZE STAT
GL	GROUND LUG
HPC	HIGH PRESSURE CONTROL
IBM	INDOOR BLOWER MOTOR
LAC	LOW AMBIENT CONTROL
OAT	OUTDOOR AMBIENT TEMP
OCT	OUTDOOR COIL TEMP
OPM	OUTDOOR FAN MOTOR

WIRE COLOR CODE

BK	BLACK	GY	GRAY	R	RED
BR	BROWN	O	ORANGE	W	WHITE
BL	BLUE	PK	PINK	Y	YELLOW
G	GREEN	PR	PURPLE		

NOTES:

- CONNECTORS SUITABLE FOR USE WITH COPPER CONDUCTORS ONLY.
- COMPRESSOR MOTOR THERMALLY PROTECTED. ALL 3 PHASE MODELS ARE PROTECTED UNDER PRIMARY SINGLE PHASE CONDITIONS.
- BLACK-230VOLT TRANSFORMER FACTORY WIRING FOR 230 VOLTS ON 'J' & 'C' MODELS. INTERCHANGE BLACK & BLUE LEADS FOR 208 VOLT SUPPLIED CONTACTOR WIRING. CONNECT FIELD WIRE TO FACTORY SUPPLIED CONTACTOR WIRE IN ELECTRICAL BOX.
- LOW VOLTAGE CIRCUIT IS N.E.C. CLASS 2 WITH A CLASS 2 SUPPLEMENTARY WIRING IN GROUNDING RAIN TIGHT CONDUIT TO 60 HZ FUSED DISCONNECT FOR CORRECT SIZES.
- CONNECT FIELD WIRING IN GROUNDING RAIN TIGHT CONDUIT TO 60 HZ FUSED DISCONNECT FOR CORRECT SIZES.
- SEE FUSE LABEL ON UNIT FUSE BOX FOR FUSE SIZING AND CLASSIFICATION.
- REVERSE WIRING IS PERMITTED IN REVERSE POSITION.
- REVERSE WIRING IS PERMITTED IN REVERSE POSITION.
- OPTIONAL ECONOMIZER. WIRING FROM PL2 17 & 8) TO THE MIXED AIR SENSOR ON THE OPTIONAL ECONOMIZER.
- 12 IS USED ONLY FOR THE OPTIONAL ECONOMIZER.

WIRING INFORMATION

- LINE VOLTAGE
- FACTORY STANDARD
- FACTORY OPTION
- FIELD INSTALLED
- LOW VOLTAGE
- FACTORY STANDARD
- FACTORY OPTION
- FIELD INSTALLED
- REPLACEMENT WIRE
- MUST BE THE SAME SIZE AND TYPE OF INSULATION AS ORIGINAL (105 C MIN.)
- CABINET MUST BE PERMANENTLY GROUNDED AND CONFORM TO I.E.C., N.E.C., C.E.C. AND LOCAL CODES AS APPLICABLE.

WIRE COLOR CODE

SEE NOTE 11

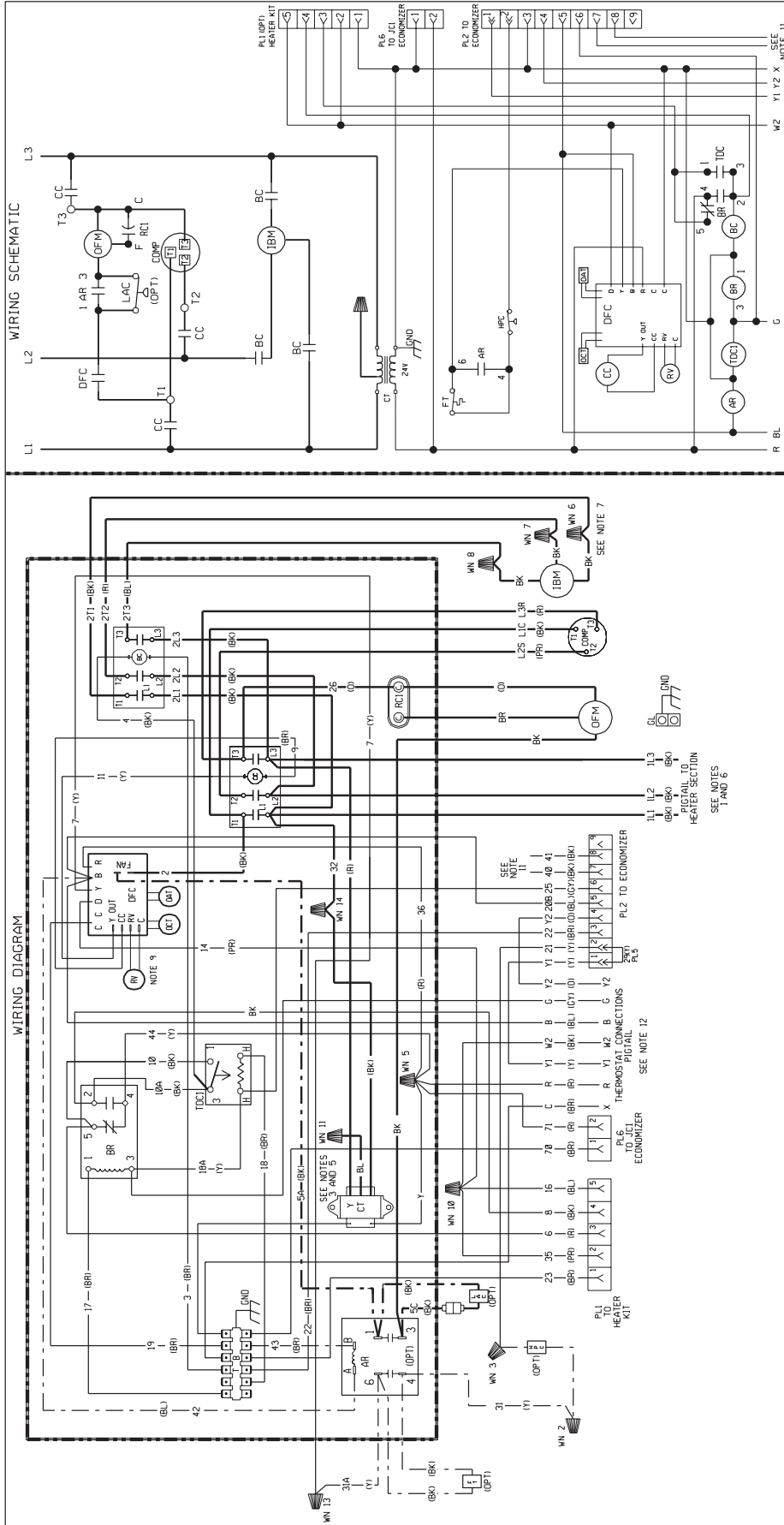
ELECTRICAL WIRING DIAGRAM

208 / 230, 1 PHASE

DIRECT DRIVE / X-MOTOR

HEAT PUMP

DR. BY	APP. BY	DATE	DWG. NO.	REV
MCB		5-18-05	90-23595-13	04



COMPONENT CODE		WIRE COLOR CODE	
AR	ACCESSORY RELAY	BK	BLACK
BR	BLOWER RELAY	BR	BROWN
CC	COMPRESSOR CONTACTOR	BL	BLUE
COMP	COMPRESSOR	G	GREEN
CT	CONTROL TRANSFORMER	GY	GRAY
DFC	DEFROST CONTROL	O	ORANGE
DR	DEFROST RELAY	PK	PINK
DL	GROUND LUG	PR	PURPLE
DL	GROUND LUG	R	RED
HPC	HIGH PRESSURE CONTROL	W	WHITE
IBM	INDUCTIVE BLUR MOTOR	Y	YELLOW
LAC	LOW AMBIENT CONTROL		
OAT	OUTDOOR AMBIENT TEMP		
OCT	OUTDOOR COIL TEMP		
OFM	OUTDOOR FAN MOTOR		
DWG. NO.	90-23595-11	ELECTRICAL WIRING DIAGRAM	
REV	04	208 / 230 3 PHASE	
		BELT DRIVE	
		HEAT PUMP	
		3 - 5 TON	
DR. BY	APP. BY	DATE	DWG. NO.
MCB		5-18-05	90-23595-11
			REV
			04

WIRING INFORMATION

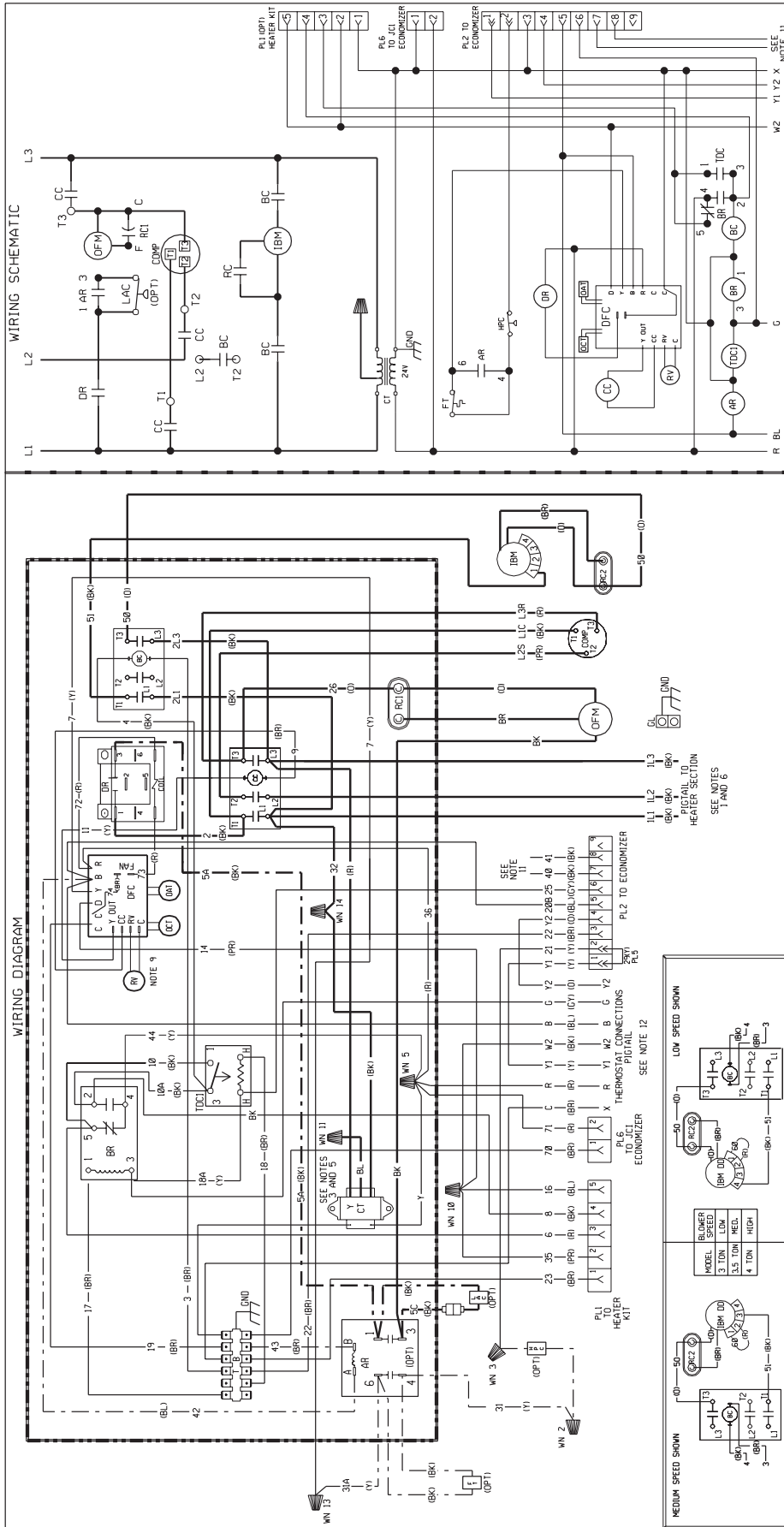
LINE VOLTAGE
 -FACTORY STANDARD
 -FACTORY OPTION
 -FIELD INSTALLED

LOW VOLTAGE
 -FACTORY STANDARD
 -FACTORY OPTION
 -FIELD INSTALLED

REPLACEMENT WIRE
 -MUST BE THE SAME SIZE AND TYPE OF INSULATION AS ORIGINAL (105 C MIN.)
 WARNING
 -CABINET MUST BE PERMANENTLY GROUNDED AND CONFORM TO I.E.C., N.E.C., C.E.C. AND LOCAL CODES AS APPLICABLE.

- NOTES:**
- CONNECTORS SUITABLE FOR USE WITH COPPER CONDUCTORS ONLY. COMPRESSOR MOTOR THERMALLY PROTECTED. ALL 3 PHASE MODELS ARE PROTECTED UNDER PRIMARY SINGLE PHASE CONDITIONS.
 - BLACK-230V TRANSFORMER FACTORY WIRE FOR 230 VOLTS ON 'J' & 'C' MODELS. INTERCHANGE BLACK & BLUE LEADS FOR 208 VOLT OPERATION. FACTORY WIRE, CONNECT FIELD WIRE TO FACTORY SUPPLIED CONTACTOR WIRES IN ELECTRICAL BOX.
 - LOW VOLTAGE CIRCUIT IS N.E.C. CLASS 2 WITH A CLASS 2 FUSED DISCONNECT.
 - CONNECT FIELD WIRING IN GROUNDED RAIN TIGHT CONDUIT TO 60 HZ FUSED DISCONNECT.
 - MOTOR FACTORY WIRE FOR CORRECT SPEED.
 - REVERSING VALVE ENERGIZED IN HEATING. REVERSING VALVE ENERGIZED IN COOLING.
 - WIRING FROM BL 7, 8, 9, 10 TO THE WIRED AIR SENSOR ON THE OPTIONAL ECONOMIZER.
 - Y2 IS USED ONLY FOR THE OPTIONAL ECONOMIZER.

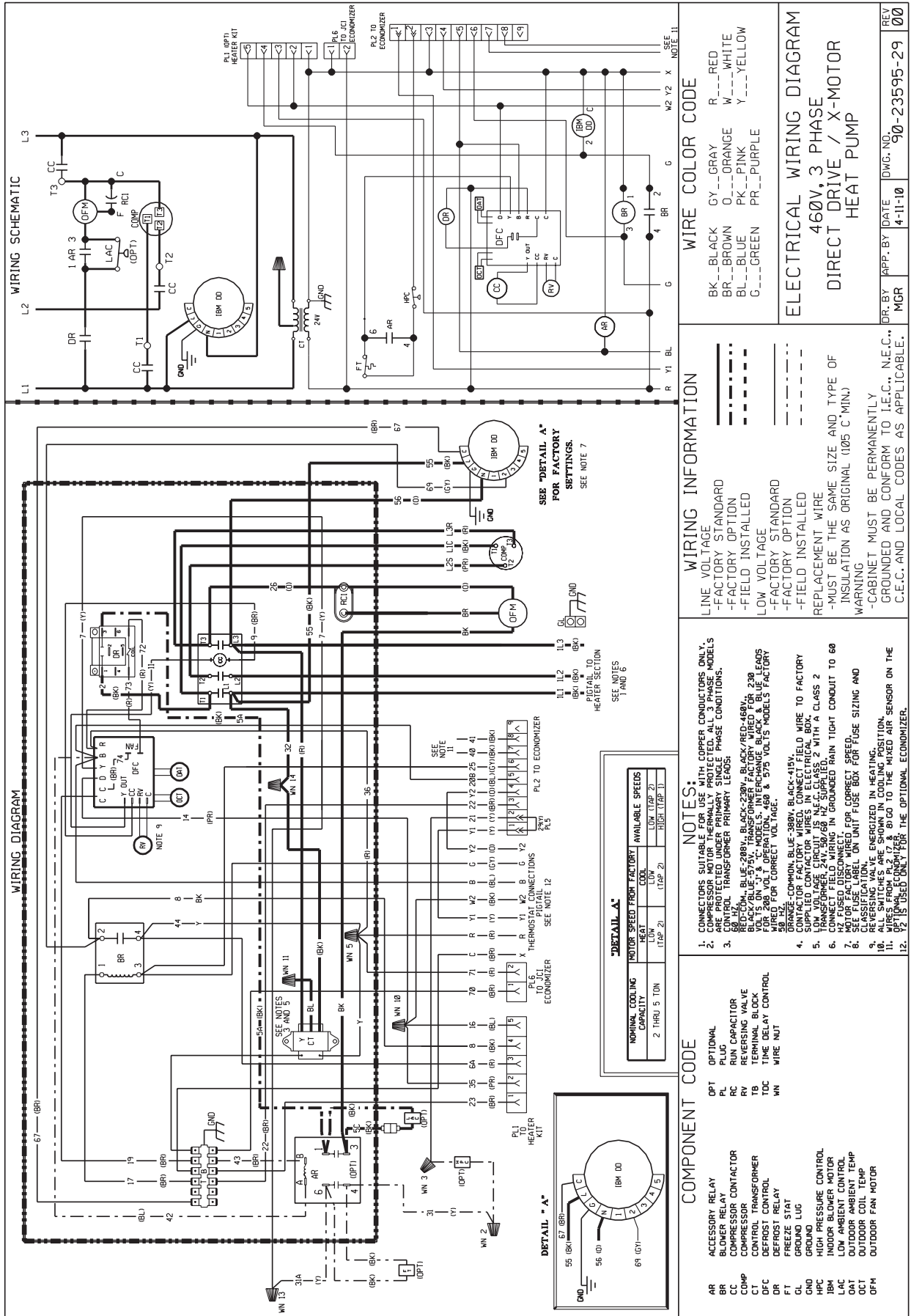
WIRING INFORMATION	
11	PIGTAIL TO HEATER SECTION
12	PIGTAIL TO HEATER SECTION
13	PIGTAIL TO HEATER SECTION
14	PIGTAIL TO HEATER SECTION
15	PIGTAIL TO HEATER SECTION
16	PIGTAIL TO HEATER SECTION
17	PIGTAIL TO HEATER SECTION
18	PIGTAIL TO HEATER SECTION
19	PIGTAIL TO HEATER SECTION
20	PIGTAIL TO HEATER SECTION
21	PIGTAIL TO HEATER SECTION
22	PIGTAIL TO HEATER SECTION
23	PIGTAIL TO HEATER SECTION
24	PIGTAIL TO HEATER SECTION
25	PIGTAIL TO HEATER SECTION
26	PIGTAIL TO HEATER SECTION
27	PIGTAIL TO HEATER SECTION
28	PIGTAIL TO HEATER SECTION
29	PIGTAIL TO HEATER SECTION
30	PIGTAIL TO HEATER SECTION
31	PIGTAIL TO HEATER SECTION
32	PIGTAIL TO HEATER SECTION
33	PIGTAIL TO HEATER SECTION
34	PIGTAIL TO HEATER SECTION
35	PIGTAIL TO HEATER SECTION
36	PIGTAIL TO HEATER SECTION
37	PIGTAIL TO HEATER SECTION
38	PIGTAIL TO HEATER SECTION
39	PIGTAIL TO HEATER SECTION
40	PIGTAIL TO HEATER SECTION
41	PIGTAIL TO HEATER SECTION
42	PIGTAIL TO HEATER SECTION
43	PIGTAIL TO HEATER SECTION
44	PIGTAIL TO HEATER SECTION
45	PIGTAIL TO HEATER SECTION
46	PIGTAIL TO HEATER SECTION
47	PIGTAIL TO HEATER SECTION
48	PIGTAIL TO HEATER SECTION
49	PIGTAIL TO HEATER SECTION
50	PIGTAIL TO HEATER SECTION
51	PIGTAIL TO HEATER SECTION
52	PIGTAIL TO HEATER SECTION
53	PIGTAIL TO HEATER SECTION
54	PIGTAIL TO HEATER SECTION
55	PIGTAIL TO HEATER SECTION
56	PIGTAIL TO HEATER SECTION
57	PIGTAIL TO HEATER SECTION
58	PIGTAIL TO HEATER SECTION
59	PIGTAIL TO HEATER SECTION
60	PIGTAIL TO HEATER SECTION



WIRING SCHEMATIC

WIRING DIAGRAM

<p>WIRE COLOR CODE</p> <p>BK__BLACK GY__GRAY R___RED BR__BROWN O___ORANGE W___WHITE BL__BLUE PK__PINK Y___YELLOW G___GREEN PR__PURPLE</p>	<p>WIRING INFORMATION</p> <p>LINE VOLTAGE _____ -FACTORY STANDARD _____ -FACTORY OPTION _____ -FIELD INSTALLED _____ LOW VOLTAGE _____ -FACTORY STANDARD _____ -FACTORY OPTION _____ -FIELD INSTALLED _____</p> <p>REPLACEMENT WIRE _____ -MUST BE THE SAME SIZE AND TYPE OF INSULATION AS ORIGINAL (105 C MIN.)</p> <p>WARNING -CABINET MUST BE PERMANENTLY GROUNDED AND CONFORM TO I.E.C., N.E.C., C.E.C. AND LOCAL CODES AS APPLICABLE.</p>	<p>NOTES:</p> <ol style="list-style-type: none"> CONNECTORS SUITABLE WITH COPPER CONDUCTORS ONLY. COMPRESSOR MOTOR THERMALLY PROTECTED, ALL 3 PHASE MODELS ARE PROTECTED UNDER PRIMARY LEADS. 50 HZ FULL TRANSFORMER PRIMARY LEADS: RED-ON, BLUE-208V, BLACK-230V, BLACK/RED-480V, 230 VOLTS ON 5/7 & C-MODELS. INTERCHANGE BLACK & BLUE LEADS FOR 208 VOLT OPERATION. 460 & 575 VOLTS MODELS FACTORY 208 HZ. FOR CORRECT VOLTAGE. ORANGE-COMMON BLUE-380V, BLACK-415V FIELD WIRE TO FACTORY SUPPLIED CONTACTOR WIRES IN ELECTRICAL BOX. LOW VOLTAGE CIRCUIT IS N.E.C. CLASS 2 WITH A CLASS 2 REVERSE POLARITY PROTECTED FUSE. CONNECT FIELD WIRING IN GROUNDED RAIN TIGHT CONDUIT TO #0 MOTOR FACTORY WIRE FOR CORRECT SPEED. REVERSING VALVE ENERGIZED IN HEATING POSITION. WIRES FROM PL 2 TO 3, 8, 10 TO THE MIXED AIR SENSOR ON THE OPTIONAL ECONOMIZER. W1, Y2 IS USED ONLY FOR THE OPTIONAL ECONOMIZER. 	<p>COMPONENT CODE</p> <p>AR ACCESSORY DELAY BR BLOWER RELAY CC COMPRESSOR CONTACTOR COMP COMPRESSOR CT CONTROL TRANSFORMER DFC DEFROST RELAY DR FREEZE STAT FT GROUND LUG GL GROUND HPC HIGH PRESSURE CONTROL IBM INDOOR BLOWER MOTOR IAT INDOOR AMBIENT TEMP OAT OUTDOOR AMBIENT TEMP OCT OUTDOOR COIL TEMP OFM OUTDOOR FAN MOTOR</p> <p>DWG. NO. 90-23595-12 REV 04</p>
---	--	---	--



WIRING SCHEMATIC

WIRING DIAGRAM

L1 L2 L3

WIRE COLOR CODE

BK	BLACK	GY	GRAY	R	RED
BR	BROWN	O	ORANGE	W	WHITE
BL	BLUE	PK	PINK	Y	YELLOW
G	GREEN	PR	PURPLE		

ELECTRICAL WIRING DIAGRAM
460V, 3 PHASE
DIRECT DRIVE / X-MOTOR
HEAT PUMP

WIRING INFORMATION

- LINE VOLTAGE
- FACTORY STANDARD
- FACTORY OPTION
- FIELD INSTALLED
- LOW VOLTAGE
- FACTORY STANDARD
- FACTORY OPTION
- FIELD INSTALLED

REPLACEMENT WIRE
-MUST BE THE SAME SIZE AND TYPE OF INSULATION AS ORIGINAL (105 C MIN.)

WARNING
-CABINET MUST BE PERMANENTLY GROUNDED AND CONFORM TO I.E.C., N.E.C., C.E.C. AND LOCAL CODES AS APPLICABLE.

NOTES:

- CONNECTORS SUITABLE FOR USE WITH COPPER CONDUCTORS ONLY. COMPRESSOR MOTOR THERMALLY PROTECTED. ALL 3 PHASE MODELS ARE PROTECTED UNDER PRIMARY SINGLE PHASE CONDITIONS.
- 50 HZ TRANSFORMER PRIMARY LEADS:
- RED-COM, BLUE-208V, BLACK-230V, BLACK/RED-460V, 230 VOLTS ON 230 °C MODELS. INTERCHANGE BLACK & BLUE LEADS FOR 208 VOLT OPERATION. 460 & 575 VOLTS MODELS FACTORY WIRING FOR CORRECT VOLTAGE.
- ORANGE-COMMON, BLUE-380V, BLACK-415V, BROWN-460V, RED-575V. SUPPLY CAPACITOR WIRES IN WIRE CONNECTOR BOX.
- LOW VOLTAGE CIRCUIT IS N.E.C. CLASS 2 WITH A CLASS 2 TRANSFORMER. 2 WIRE/250/250 HZ SUPPLIED.
- HZ FUSED DISCONNECT IN GROUNDING RAIN TIGHT CONDUIT TO 60
- MOTOR FACTORY WIRING FOR CORRECT SPEED.
- REVERSING VALVE ENERGIZED IN HEATING.
- WIRING FROM P.2.17 & 8 TO GROUND TO MIXED AIR CONDITION.
- OPTIONAL ECONOMIZER
- P.2 IS USED ONLY FOR THE OPTIONAL ECONOMIZER.

COMPONENT CODE

AR	ACCESSORY RELAY	OPT	OPTIONAL
BR	BLOWER RELAY	PL	PLUG
CC	COMPRESSOR	RC	RUN CAPACITOR
CT	CONTROL TRANSFORMER	RV	REVERSING VALVE
DFC	DEFROST CONTROL	TB	TERMINAL BLOCK
DR	DEFROST RELAY	TDC	TIME DELAY CONTROL
FT	FREEST START	WN	WIRE NUT
GL	GROUND LUG		
HPC	HIGH PRESSURE CONTROL		
IBM	INDOOR BLOWER MOTOR		
LAC	LOW AMBIENT CONTROL		
OAT	OUTDOOR AMBIENT TEMP		
OCCT	OUTDOOR COIL TEMP		
OFM	OUTDOOR FAN MOTOR		

DETAIL A - MOTOR SPEED FROM FACTORY AVAILABLE SPEEDS

NOMINAL COOLING CAPACITY	HEAT		COOL		AVAILABLE SPEEDS	
	LOW (TRP 2)	HIGH (TRP 2)	LOW (TRP 2)	HIGH (TRP 2)	LOW (TRP 2)	HIGH (TRP 2)
2 THRU 5 TON						

DETAIL A - THERMOSTAT CONNECTIONS

SEE NOTE 12

1	2	3	4	5	6	7	8	9	10	11	12
W	R	Y	G	B	OR	BL	BR	GY	GR	RD	RD

PL.6 TO ECONOMIZER

DETAIL A - FOR FACTORY SETTINGS

SEE NOTE 7

1	2	3	4	5	6	7	8	9	10	11	12
W	R	Y	G	B	OR	BL	BR	GY	GR	RD	RD

PL.2 TO ECONOMIZER

DETAIL A - HEATER SECTION

SEE NOTES 1 AND 6

1	2	3	4	5	6	7	8	9	10	11	12
W	R	Y	G	B	OR	BL	BR	GY	GR	RD	RD

PL.1 TO HEATER KIT

DETAIL A - P1.1 TO P1.6 HEATER KIT

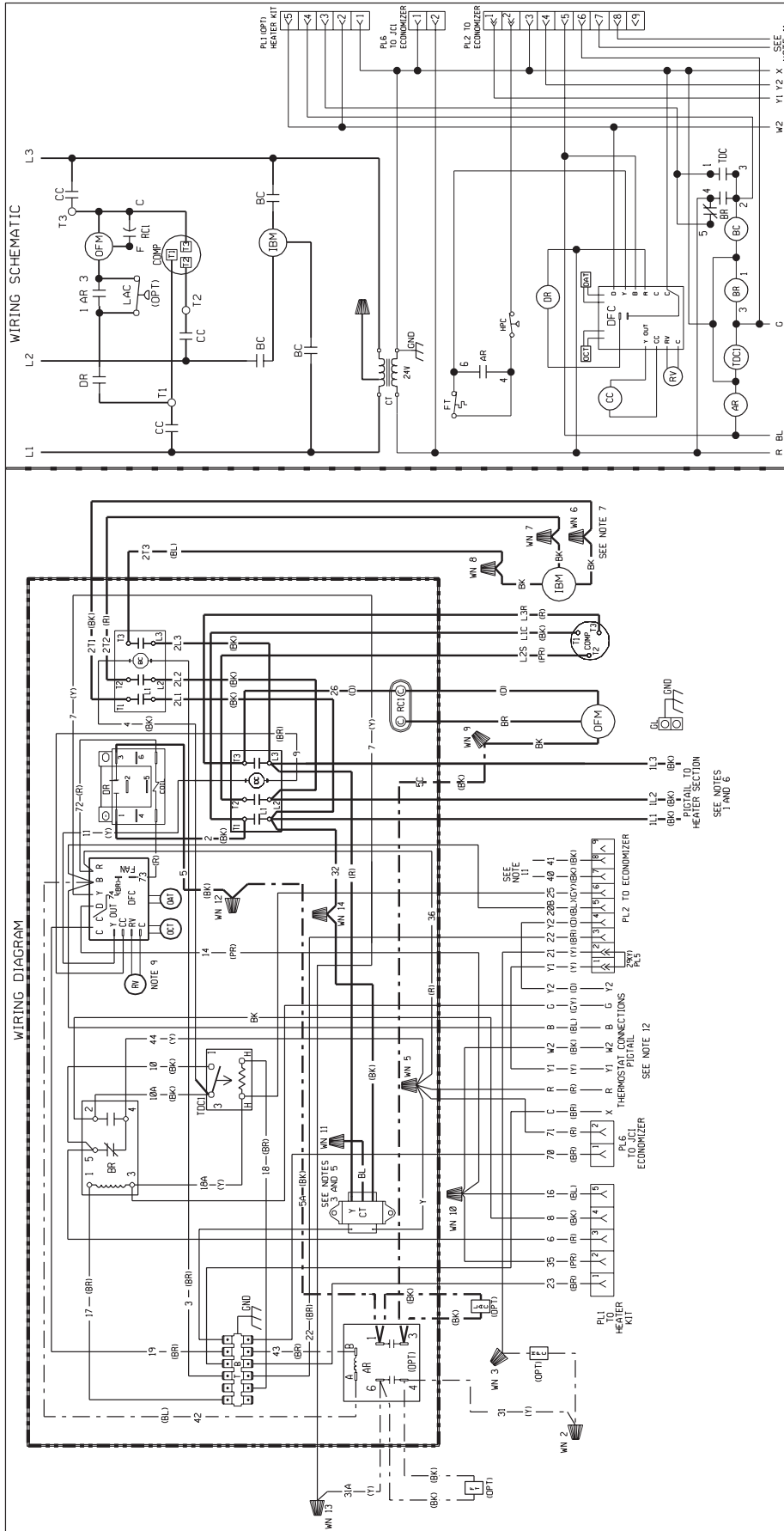
1	2	3	4	5	6	7	8	9	10	11	12
W	R	Y	G	B	OR	BL	BR	GY	GR	RD	RD

P1.1 TO P1.6 HEATER KIT

DETAIL A - P2.1 TO P2.6 ECONOMIZER

1	2	3	4	5	6	7	8	9	10	11	12
W	R	Y	G	B	OR	BL	BR	GY	GR	RD	RD

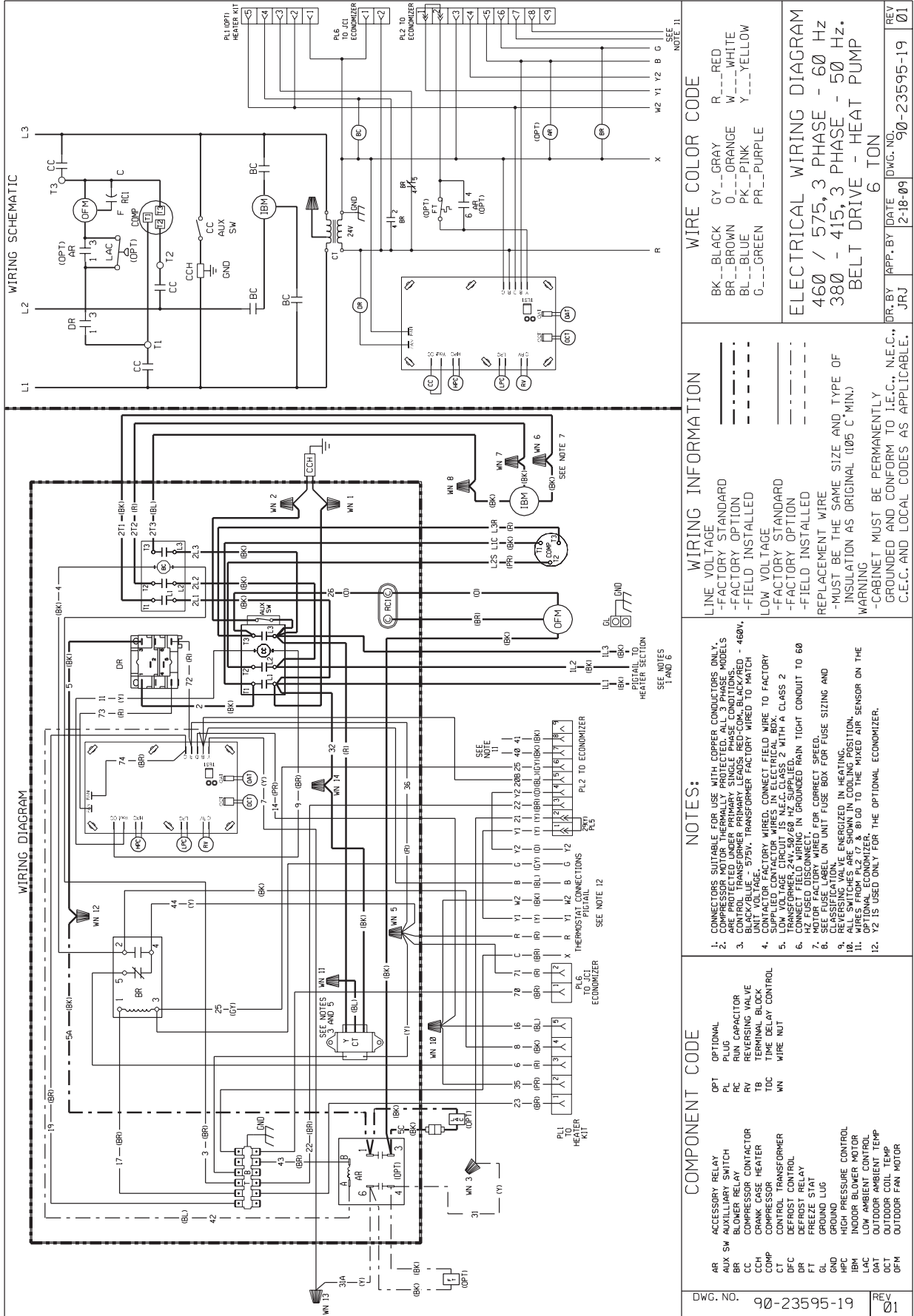
P2.1 TO P2.6 ECONOMIZER



WIRING SCHEMATIC

WIRING DIAGRAM

<p>WIRE COLOR CODE</p> <p>BK BLACK CY GRAY R RED BR BROWN O ORANGE W WHITE BL BLUE PK PINK Y YELLOW G GREEN PR PURPLE</p> <p>ELECTRICAL WIRING DIAGRAM 460, 3 PHASE BELT DRIVE HEAT PUMP 3 - 5 TON</p>	<p>WIRING INFORMATION</p> <p>LINE VOLTAGE -FACTORY STANDARD -FACTORY OPTION -FIELD INSTALLED -FIELD INSTALLED LOW VOLTAGE -FACTORY STANDARD -FACTORY OPTION -FIELD INSTALLED</p> <p>REPLACEMENT WIRE AND TYPE OF INSULATION AS ORIGINAL (105 C MIN.) -CABINET MUST BE PERMANENTLY GROUNDED AND CONFORM TO I.E.C., N.E.C., C.E.C. AND LOCAL CODES AS APPLICABLE.</p>	<p>NOTES:</p> <ol style="list-style-type: none"> CONNECTORS SUITABLE FOR COPPER CONDUCTORS ONLY. COMPRESSOR MOTOR TERMINALS ARE PROTECTED BY PHASE MODELS CONTROL TRANSFORMER PRIMARY LEADS. RED-COM, BLUE-208V, BLACK-230V, BLACK/RED-460V, 250 VOLT, 50/60 HZ, 1-2 C-MODELS INTERCHANGE BLACK & BLUE LEADS FOR 208 VOLT OPERATION. 460 & 575 VOLTS MODELS FACTORY WIRING FOR CORRECT VOLTAGE. ORANGE-COMMON BLUE-380V, BLACK-415V. WELD WIRE TO FACTORY SUPPLIED CONTACTOR WIRES IN ELECTRICAL BOX. LOW VOLTAGE CIRCUIT IS N.E.C. CLASS 2 WITH A CLASS 2 TRANSFORMER 24V, 50/60 HZ SUPPLIED. IF FUSED DISCONNECT IN GROUND MAIN TIGHT CONDUIT TO 60 MOTOR FACTORY WIRED FOR CORRECT SPEED. CLASSIFICATION ON UNIT FUSE BOX FOR FUSE SIZING AND REVERSING VALVE ENERGIZED IN HEATING. ALL SWITCHES ARE SHOWN IN COILING POSITION. OPTIONAL ECONOMIZER. 28V, 10.0 TO THE MIXED AIR SENSOR ON THE ECONOMIZER. 	<p>COMPONENT CODE</p> <p>OPTIONAL OPT1 PL LUG CAPACITOR RV REVERSING VALVE TB TERMINAL BLOCK TDC TIME DELAY CONTROL WN WIRE NUT</p> <p>ACCESSORY RELAY COMP COMPRESSOR CT CONTROL TRANSFORMER DFC DEFROST RELAY DR DEFROST STAT FT FREEZE STAT GND GROUND GL HIGH PRESSURE CONTROL HPC INDOOR BLOWER MOTOR IBM BELT DRIVE LAC LOW AMBIENT CONTROL LCT LOW AMBIENT CONTROL OCT OUTDOOR COIL TEMP OFM OUTDOOR FAN MOTOR</p> <p>DWG. NO. 90-23595-15 REV 05</p>
---	---	--	--



BEFORE PURCHASING THIS APPLIANCE, READ IMPORTANT ENERGY COST AND EFFICIENCY INFORMATION AVAILABLE FROM YOUR RETAILER.

GENERAL TERMS OF LIMITED WARRANTY

Rheem will furnish a replacement for any part of this product which fails in normal use and service within the applicable periods stated, in accordance with the terms of the limited warranty.

***For Complete Details of the Limited Warranty, Including Applicable Terms and Conditions, See Your Local Installer or Contact the Manufacturer for a Copy.**

Compressor
1-Phase & 3 Phase
(Commercial Applications).....Five (5) Years
*Conditional Compressor
1-Phase, Residential ApplicationsTen (10) Years
Electric Heating ElementsFive (5) Years
Any Other Part
1-Phase, Residential Applications.....Five (5) Years
1 & 3-Phase, Commercial Applications.....One (1) Year

Before proceeding with installation, refer to installation instructions packaged with each model, as well as complying with all Federal, State, Provincial, and Local codes, regulations, and practices.

**Rheem Heating,
Cooling and
Water Heating**

P.O. Box 17010, Fort Smith, AR 72917



"In keeping with its policy of continuous progress and product improvement, Rheem reserves the right to make changes without notice."