



RJPL-A

Parts List
07-March-2018



*This parts list is current as of the above revision date.
See <http://www.rheempartslists.net/92-42801-RJPL-A.pdf> for the current revision.*

Package Heat Pumps - Commercial

Table of Contents

Model Explanation	Page 3
Parts Numbers	
Panels - Miscellaneous (Granite-Steel Gray)	Page 4
Panels - Miscellaneous (Granite-Steel Gray) (Hinged Panels)	Page 5
Panels - Miscellaneous (Neutra Green)	Page 6
Electrical Group (1)	Page 7
Electrical Group (2)	Page 8
Fan Group	Page 9
Blower Group - Direct Drive	Page 10
Blower Assembly - Belt Drive (1)	Page 11
Blower Assembly - Belt Drive (2)	Page 12
Blower Motor Group - Belt Drive	Page 13
Coil Parts	Page 14
Compressor Group	Page 15
Heater Kits	Page 16
Accessories	Page 16
Drawings/Photographs	
Exploded View	Page 17
End Panel View (Hinged Panels)	Page 18
Top Panel (Hinged Panels)	Page 19
Control Box	Page 20
Blower Parts - Direct Drive	Page 20
Blower Parts - Belt Drive	Page 21
Blower Mounting - Belt Drive	Page 22
Coil Group Cut-away View	Page 23
Evaporator Coil - Filter Parts	Page 23
Compressor - Refrigerator Group	Page 24
Notes	Page 25

MODEL NUMBER EXPLANATION

R	J	P	L	-	A	036	J	K	000
1	2	3	4		5	6	7	8	9

- | | | |
|--|-----------------|---|
| <p>1 TRADEBRAND</p> <p>2 PRODUCT CLASSIFICATION
J = Package Heat Pump - Commercial</p> <p>3 EFFICIENCY DESIGNATION
P = 14 SEER</p> <p>4 DESIGN SERIES
L = R-410A</p> <p>5 TECHNICAL VARIATION</p> <p>6 COOLING CAPACITY (BTU/HR)
036 = 36,000
042 = 42,000
048 = 48,000
060 = 60,000</p> | <p>7</p> | <p>ELECTRICAL DESIGNATION
J = 208-230/1/60
C = 208-230/3/60
D = 460/3/50</p> <p>8 DRIVE PACKAGE
K = Direct Drive
L = Belt Drive
M = Belt Drive - High Static</p> <p>9 HEAT DESIGNATION - (ELECTRIC HEAT)
000 = No Resistance Heat
010 = 10KW
015 = 15 KW
020 = 20 KW</p> |
|--|-----------------|---|

SERIAL NUMBER EXPLANATION

1	2	3	4	F	05	07	00001
1	2	3	4	2	3	4	5

- 1 COMPRESSOR IDENTIFICATION NUMBER**
- 2 PRODUCTION LOCATION**
F - FORT SMITH, AR
- 3 WEEK OF PRODUCTION**
- 4 YEAR OF PRODUCTION**
- 5 PRODUCTION NUMBER**

No.	Notes	MODEL TECHNICAL VARIATION COOLING CAPACITY	RJPL- A 036-060
PANELS, MISCELLANEOUS PARTS (Granite Steel Gray - After F4411) without Hinged Panels			
1		Base Rail - Side (2)	AE-58900-01
2		Base Rail - Condenser End	AE-58901-01
3		Base Rail - Evaporator End	AE-58902-01
4		Outdoor Coil Base Pan	AS-59051-01H
5		Indoor Coil Base Pan	AS-58910-05
6		Condenser Bulkhead (Does not include Limit Baffle or Tube Support Angles)	AS-59126-02
		Shield (Covers opening on the Condenser Bulkhead Assembly)	AS-59152-01
8		Blower Bulkhead (Does not include Tube Support Angle, Blower Extension, or Insulation Retainer)	AS-59129-01
9		Blower Extension - Front	AE-58928-01
10		Blower Extension - Back	AE-58928-02
		Cover Plate (On the Blower Extension - Front to cover the Limit Control opening)	AE-76216-01
		Insulation Retainer	AE-59059-01
12		Wire Chase Insulation Assembly	AS-58927-01
13		Corner Post (2)	AS-58965-01H
15		Louvered Panel	See Accessories
16		Louvered Panel	See Accessories
17		Louvered Panel	See Accessories
18		Supply/Return Cover Panels	AS-58992-01H
19		Rear Panel (Includes Insulation, Filler Panel, and Stripping)	AS-58976-01H
20		Return Air Filler	AS-58974-01H
		Rear Panel Stripping - Cut Length	AE-58897-10
21		Blower/Filter Access Panels (2)	AS-58990-01H
22		Post - Left End Assembly	AS-58973-01H
23		Front Panel Insulation Assembly	AS-59132-01H
24		Electric Heat Access Panel	AS-59121-02H
25		Compressor Access Panel	AS-58983-04H
26		Power Entry Panel	AS-58968-03H
27		Front Post	AS-58967-01H
28		Indoor Coil Top Panel Assembly	AS-58979-01H
29		Condenser Top Panel	AS-58982-01H
31		Wire Grille	95-101660-01
33		Control Box (w/o components)	AS-59039-01

No.	Notes	MODEL TECHNICAL VARIATION COOLING CAPACITY	RJPL- A 048
PANELS, MISCELLANEOUS PARTS (Granite Steel Gray - After F4411) with Hinged Panels			
1		Base Rail - Side (2)	AE-58900-01
2		Base Rail - Condenser End	AE-58901-01
3		Base Rail - Evaporator End	AE-58902-01
4		Outdoor Coil Base Pan	AS-59051-01HT
5		Indoor Coil Base Pan	AS-58910-05
6		Condenser Bulkhead (Does not include Limit Baffle or Tube Support Angles)	AS-59126-08HT
		Shield (Covers opening on the Condenser Bulkhead Assembly)	AS-59152-01
8		Blower Bulkhead (Does not include Tube Support Angle, Blower Extension, or Insulation Retainer)	AS-103386-02
9		Blower Extension - Front	AE-58928-01
10		Blower Extension - Back	AE-58928-02
		Cover Plate (On the Blower Extension - Front to cover the Limit Control opening)	AE-76216-01
		Insulation Retainer	AE-59059-01
12		Wire Chase Insulation Assembly	AS-103291-01
13		Corner Post (2)	AE-58965-01HT
13a		Front Corner Post (-036 "L" Coil Only)	N/A
15		Louvered Panel	See Accessories
16		Louvered Panel	See Accessories
17		Louvered Panel	See Accessories
18a		Supply/Return Cover Panel	AS-58992-01HT
18b		Supply/Return Cover Panel	AS-58992-01HT
19		Rear Panel (Includes Insulation, Filler Panel, and Stripping)	AS-58976-03HT
20		Return Air Filler	AE-58974-01HT
		Rear Panel Stripping - Cut Length	AE-58897-10
21a		Blower/Filter Door - Left	AS-102872-33HT
21b		Blower/Filter Door - Right	AS-102872-34HT
21c		Bracket - Bottom Panel (2)	AE-102859-26HT
22		Post - Left End Assembly	AS-58973-02HT
23		Front Panel Insulation Assembly	AS-59132-06HT
24		Electric Heat Access Panel	AS-59121-02HT
25a		Control Box Access Panel	AS-102872-35HT
25b		Compressor Access Panel	AE-58983-06HT
25c		Bracket - Top	AE-102859-31HT
25d		Bracket - Middle	AE-102859-32HT
26		Power Entry Panel	AE-58968-03HT
27		Front Post	AE-58967-01HT
28		Indoor Coil Top Panel Assembly	AS-58979-04HT
28a		Bracket - Top Panel	AE-102859-30HT
29		Condenser Top Panel	AS-58982-01HT
31		Wire Grille	95-101660-01
33		Control Box (w/o components)	AS-59039-01

No.	Notes	MODEL TECHNICAL VARIATION COOLING CAPACITY	RJPL- A 036-060
PANELS, MISCELLANEOUS PARTS (Neutra Green - Before F4411)			
1		Base Rail - Side (2)	AE-58900-01
2		Base Rail - Condenser End	AE-58901-01
3		Base Rail - Evaporator End	AE-58902-01
4		Outdoor Coil Base Pan	AS-59051-01
5		Indoor Coil Base Pan	AS-58910-05
6		Condenser Bulkhead (Does not include Limit Baffle or Tube Support Angles)	AS-59126-02
		Shield (Covers opening on the Condenser Bulkhead Assembly)	AS-59152-01
8		Blower Bulkhead (Does not include Tube Support Angle, Blower Extension, or Insulation Retainer)	AS-59129-01
9		Blower Extension - Front	AE-58928-01
10		Blower Extension - Back	AE-58928-02
		Cover Plate (On the Blower Extension - Front to cover the Limit Control opening)	AE-76216-01
		Insulation Retainer	AE-59059-01
12		Wire Chase Insulation Assembly	AS-58927-01
13		Corner Post (2)	AE-58965-01
15		Louvered Panel	See Accessories
16		Louvered Panel	See Accessories
17		Louvered Panel	See Accessories
18		Supply/Return Cover Panels	AS-58992-01
19		Rear Panel (Includes Insulation, Filler Panel, and Stripping)	AS-58976-01
20		Return Air Filler	AE-58974-01
		Rear Panel Stripping - Cut Length	AE-58897-10
21		Blower/Filter Access Panels (2)	AS-58990-01
22		Post - Left End Assembly	AS-58973-01
23		Front Panel Insulation Assembly	AS-59132-01
24		Electric Heat Access Panel	AS-59121-02
25		Compressor Access Panel	AE-58983-04
26		Power Entry Panel	AE-58968-03
27		Front Post	AE-58967-01
28		Indoor Coil Top Panel Assembly	AS-58979-01
29		Condenser Top Panel	AS-58982-01
31		Wire Grille	95-101660-01
33		Control Box (w/o components)	AS-59039-01

No.	Notes	MODEL TECHNICAL VARIATION COOLING CAPACITY ELECTRICAL DESIGNATION	RJPL-	RJPL-	RJPL-
			A 036 C	A 036 D	A 036 J
ELECTRICAL GROUP					
		CONTROL BOX COMPONENTS (Items 35,36, 38-46):			
35a		Capacitor (Dual Round - Compressor/Fan)	See Compressor Group		
35b		Capacitor (Fan Only)	See Fan Group		
36		Capacitor Adapter Plate	See Fan Group		
38	Stk,1	Defrost Control (Includes Ambient and Defrost Sensor) - Before F3910	47-21517-18	47-21517-18	47-21517-18
38	Stk,1	Defrost Control (Includes Ambient and Defrost Sensor) - After F3910	47-102685-05	47-102685-05	47-102685-05
39	Stk	Blower Relay	42-101208-01	42-21571-04	42-21571-08
40	Stk	Defrost Relay	N/A	42-19736-04	N/A
		Accessory Relay	42-19736-05	42-19736-05	42-19736-05
41	Stk	Blower Time Delay Relay	42-21593-03	42-21593-03	N/A
42	Stk	Blower Contactor - Belt Drive	42-22464-01	42-22464-01	N/A
43		Compressor Time Delay Relay	See Accessories		
44	Stk	Compressor Contactor	42-22464-01	42-22464-01	42-42728-03
45	Stk	Control Transformer	46-23600-01	46-23600-02	46-23600-01
46		Terminal Strip	45-23591-01	45-23591-01	45-23591-01
		Wire Harness - Twist-Loc Grommet	45-102819-01	45-102819-01	45-102819-01
		Low Ambient Control	See Accessories		
48	Stk	High Pressure Control - Before F3910	47-23699-04	47-23699-04	47-23699-04
48	Stk	High Pressure Control - After F3910	47-102290-01	47-102290-01	47-102290-01
	Stk	Low Pressure Control - After F3910	47-102240-02	47-102240-02	47-102240-02

No.	Notes	MODEL TECHNICAL VARIATION COOLING CAPACITY ELECTRICAL DESIGNATION	RJPL-	RJPL-	RJPL-
			A 042 C	A 042 D	A 042 J
ELECTRICAL GROUP					
		CONTROL BOX COMPONENTS (Items 35,36, 38-46):			
35a		Capacitor (Dual Round - Compressor/Fan)	See Compressor Group		
35b		Capacitor (Fan Only)	See Fan Group		
36		Capacitor Adapter Plate	See Fan Group		
38	Stk,1	Defrost Control (Includes Ambient and Defrost Sensor) - Before F3910	47-21517-18	47-21517-18	47-21517-18
38	Stk,1	Defrost Control (Includes Ambient and Defrost Sensor) - After F3910	47-102685-05	47-102685-05	47-102685-05
39	Stk	Blower Relay	42-101208-01	42-21571-04	42-21571-08
40	Stk	Defrost Relay	N/A	42-19736-04	N/A
		Accessory Relay	42-19736-05	42-19736-05	42-19736-05
41	Stk	Blower Time Delay Relay	42-21593-03	42-21593-03	N/A
42	Stk	Blower Contactor - Belt Drive	42-22464-01	42-22464-01	N/A
43		Compressor Time Delay Relay	See Accessories		
44	Stk	Compressor Contactor	42-22464-01	42-22464-01	42-42728-03
45	Stk	Control Transformer	46-23600-01	46-23600-02	46-23600-01
46		Terminal Strip	45-23591-01	45-23591-01	45-23591-01
		Wire Harness - Twist-Loc Grommet	45-102819-01	45-102819-01	45-102819-01
		Low Ambient Control	See Accessories		
48	Stk	High Pressure Control - Before F3910	47-23699-04	47-23699-04	47-23699-04
48	Stk	High Pressure Control - After F3910	47-102290-01	47-102290-01	47-102290-01
	Stk	Low Pressure Control - After F3910	47-102240-02	47-102240-02	47-102240-02

No.	Notes	MODEL TECHNICAL VARIATION COOLING CAPACITY ELECTRICAL DESIGNATION	RJPL-	RJPL-	RJPL-
			A 048 C	A 048 D	A 048 J
ELECTRICAL GROUP					
		CONTROL BOX COMPONENTS (Items 35,36, 38-46):			
35a		Capacitor (Dual Round - Compressor/Fan)	See Compressor Group		
35b		Capacitor (Fan Only)	See Fan Group		
36		Capacitor Adapter Plate	See Fan Group		
38	Stk,1	Defrost Control (Includes Ambient and Defrost Sensor) - Before F3910	47-21517-18	47-21517-18	47-21517-18
38	Stk,1	Defrost Control (Includes Ambient and Defrost Sensor) - After F3910	47-102685-05	47-102685-05	47-102685-05
39		Blower Relay	42-101208-01	42-21571-04	42-21571-08
40	Stk	Defrost Relay	N/A	42-19736-04	N/A
		Accessory Relay	42-19736-05	42-19736-05	42-19736-05
41	Stk	Blower Time Delay Relay	42-21593-03	42-21593-03	N/A
42	Stk	Blower Contactor - Belt Drive	42-22464-01	42-22464-01	N/A
43		Compressor Time Delay Relay	See Accessories		
44	Stk	Compressor Contactor	42-22464-01	42-22464-01	42-42478-02
45	Stk	Control Transformer	46-23600-01	46-23600-02	46-23600-01
46		Terminal Strip	45-23591-01	45-23591-01	45-23591-01
		Wire Harness - Twist-Loc Grommet	45-102819-01	45-102819-01	45-102819-01
		Low Ambient Control	See Accessories		
48	Stk	High Pressure Control - Before F3910	47-23699-04	47-23699-04	47-23699-04
48	Stk	High Pressure Control - After F3910	47-102290-01	47-102290-01	47-102290-01
	Stk	Low Pressure Control - After F3910	47-102240-02	47-102240-02	47-102240-02

No.	Notes	MODEL TECHNICAL VARIATION COOLING CAPACITY ELECTRICAL DESIGNATION	RJPL-	RJPL-	RJPL-
			A 060 C	A 060 D	A 060 J
ELECTRICAL GROUP					
		CONTROL BOX COMPONENTS (Items 35,36, 38-46):			
35a		Capacitor (Dual Round - Compressor/Fan)	See Compressor Group		
35b		Capacitor (Fan Only)	See Fan Group		
36		Capacitor Adapter Plate	See Fan Group		
38	Stk,1	Defrost Control (Includes Ambient and Defrost Sensor) - Before F3910	47-21517-18	47-21517-18	47-21517-18
38	Stk,1	Defrost Control (Includes Ambient and Defrost Sensor) - After F3910	47-102685-05	47-102685-05	47-102685-05
39		Blower Relay	42-101208-01	42-21571-04	42-21571-08
40	Stk	Defrost Relay	N/A	42-19736-04	N/A
		Accessory Relay	42-19736-05	42-19736-05	42-19736-05
41	Stk	Blower Time Delay Relay	42-21593-03	42-21593-03	N/A
42		Blower Contactor - Belt Drive	42-22464-01	42-22464-01	N/A
43		Compressor Time Delay Relay	See Accessories		
44	Stk	Compressor Contactor	42-22464-01	42-22464-01	42-42478-02
45	Stk	Control Transformer	46-23600-01	46-23600-02	46-23600-01
46		Terminal Strip	45-23591-01	45-23591-01	45-23591-01
		Wire Harness - Twist-Loc Grommet	45-102819-01	45-102819-01	45-102819-01
		Low Ambient Control	See Accessories		
48	Stk	High Pressure Control - Before F3910	47-23699-04	47-23699-04	47-23699-04
48	Stk	High Pressure Control - After F3910	47-102290-01	47-102290-01	47-102290-01
	Stk	Low Pressure Control - After F3910	47-102240-02	47-102240-02	47-102240-02

No.	Notes	MODEL TECHNICAL VARIATION COOLING CAPACITY ELECTRICAL DESIGNATION	RJPL- A 036 C	RJPL- A 036 D	RJPL- A 036 J
FAN GROUP					
34	Stk	Fan Motor	51-100998-05	51-100998-07	51-100998-05
35b	Stk	Capacitor - Fan Motor	43-100496-04	43-100496-04	N/A
36		Capacitor Adapter Plate	AE-54609-02	AE-54609-02	AE-54609-01
37	Stk	Fan Blade	70-23594-01	70-23594-01	70-23594-01

No.	Notes	MODEL TECHNICAL VARIATION COOLING CAPACITY ELECTRICAL DESIGNATION	RJPL- A 042 C	RJPL- A 042 D	RJPL- A 042 J
FAN GROUP					
34	Stk	Fan Motor	51-100998-05	51-100998-07	51-100998-05
35b	Stk	Capacitor - Fan Motor	43-100496-04	43-100496-04	N/A
36		Capacitor Adapter Plate	AE-54609-02	AE-54609-02	AE-54609-01
37	Stk	Fan Blade	70-23594-01	70-23594-01	70-23594-01

No.	Notes	MODEL TECHNICAL VARIATION COOLING CAPACITY ELECTRICAL DESIGNATION	RJPL- A 048 C	RJPL- A 048 D	RJPL- A 048 J
FAN GROUP					
34	Stk	Fan Motor	51-100998-05	51-100998-07	51-100998-05
35b	Stk	Capacitor - Fan Motor	43-100496-04	43-100496-04	N/A
36		Capacitor Adapter Plate	AE-54609-02	AE-54609-02	AE-54609-01
37	Stk	Fan Blade	70-23594-01	70-23594-01	70-23594-01

No.	Notes	MODEL TECHNICAL VARIATION COOLING CAPACITY ELECTRICAL DESIGNATION	RJPL- A 060 C	RJPL- A 060 D	RJPL- A 060 J
FAN GROUP					
34	Stk	Fan Motor	51-100998-13	51-100998-12	51-100998-13
35b	Stk	Capacitor - Fan Motor	43-100496-12	43-100496-12	N/A
36		Capacitor Adapter Plate	AE-54609-02	AE-54609-02	AE-54609-01
37	Stk	Fan Blade	70-42484-01	70-42484-01	70-42484-01

No.	Notes	MODEL TECHNICAL VARIATION COOLING CAPACITY ELECTRICAL DESIGNATION DRIVE PACKAGE	RJPL- A 036 C K	RJPL- A 036 D K	RJPL- A 036 J K	RJPL- A 042 C K	RJPL- A 042 D K	RJPL- A 042 J K
BLOWER GROUP - DIRECT DRIVE								
50	Stk	Blower Assembly (Items 51-58)	AS-59050-19	AS-59050-23	AS-59050-19	AS-59050-20	AS-59050-24	AS-59050-20
51		Housing	AS-58944-01	AS-58944-01	AS-58944-01	AS-58944-01	AS-58944-01	AS-58944-01
52	Stk	Wheel	70-23110-30	70-23110-30	70-23110-30	70-23110-30	70-23110-30	70-23110-30
53		Cut-Off Tabulation	AE-64401-05	AE-64401-05	AE-64401-05	AE-64401-05	AE-64401-05	AE-64401-05
54	Stk	Blower Motor	51-101880-17	51-103623-01	51-101880-17	51-101920-17	51-103253-02	51-101920-17
56		Motor Band	70-19927-03	70-19927-03	70-19927-03	70-19927-03	70-19927-03	70-19927-03
57		Motor Mounting Arm (3)	70-19929-09	70-19929-09	70-19929-09	70-19929-09	70-19929-09	70-19929-09
58		Blower Support - (Left Side)	AE-58950-02	AE-58950-02	AE-58950-02	AE-58950-02	AE-58950-02	AE-58950-02
		Blower Support - (Motor Side)	AE-59060-01	AE-59060-01	AE-59060-01	AE-59060-01	AE-59060-01	AE-59060-01

No.	Notes	MODEL TECHNICAL VARIATION COOLING CAPACITY ELECTRICAL DESIGNATION DRIVE PACKAGE	RJPL- A 048 C K	RJPL- A 048 D K	RJPL- A 048 J K	RJPL- A 060 C K	RJPL- A 060 D K	RJPL- A 060 J K
BLOWER GROUP - DIRECT DRIVE								
50	Stk	Blower Assembly (Items 51-58)	AS-59050-21	AS-59050-25	AS-59050-21	AS-59050-22	AS-59050-26	AS-59050-22
51		Housing	AS-58944-01	AS-58944-01	AS-58944-01	AS-101342-02	AS-101342-02	AS-101342-02
52	Stk	Wheel	70-23110-30	70-23110-30	70-23110-30	70-23111-29	70-23111-29	70-23111-29
53		Cut-Off Tabulation	AE-64401-05	AE-64401-05	AE-64401-05	AE-64401-23	AE-64401-23	AE-64401-23
54	Stk	Blower Motor	51-101920-18	51-103253-03	51-101920-18	51-101984-11	51-103624-01	51-101984-11
56		Motor Band	70-19927-03	70-19927-03	70-19927-03	70-19927-03	70-19927-03	70-19927-03
57		Motor Mounting Arm (3)	70-19929-09	70-19929-09	70-19929-09	70-19929-09	70-19929-09	70-19929-09
58		Blower Support - (Left Side)	AE-58950-02	AE-58950-02	AE-58950-02	AE-58950-04	AE-58950-04	AE-58950-04
		Blower Support - (Motor Side)	AE-59060-01	AE-59060-01	AE-59060-01	AE-59060-01	AE-59060-01	AE-59060-01

No.	Notes	MODEL TECHNICAL VARIATION COOLING CAPACITY ELECTRICAL DESIGNATION DRIVE PACKAGE	RJPL-	RJPL-	RJPL-	RJPL-
			A 036 C L	A 036 C M	A 036 D L	A 036 D M
BLOWER ASSEMBLY - BELT DRIVE						
59	Stk	Blower Assembly (Items 60-63, 65-70 excluding item 69b)	AS-101336-01	AS-101336-05	AS-101336-01	AS-101336-05
60		Housing	AS-101341-01	AS-101341-01	AS-101341-01	AS-101341-01
61	Stk	Bearing Frame Tri-Arm (2)	70-41723-03	70-41723-03	70-41723-03	70-41723-03
62	Stk	Ball Bearing and Cushion (2)	70-41911-01	70-41911-01	70-41911-01	70-41911-01
63	Stk	Blower Shaft	70-21933-02	70-21933-02	70-21933-02	70-21933-02
64	Stk	Fixed Pitch Sheave	71-21932-04	71-21932-03	71-21932-04	71-21932-03
65		Blower Support - Left	AE-58950-02	AE-58950-02	AE-58950-02	AE-58950-02
66	Stk	Wheel	70-23589-01	70-23589-01	70-23589-01	70-23589-01
67		Cut-Off Tabulation	AE-64401-05	AE-64401-05	AE-64401-05	AE-64401-05
71		Blower Motor	See Blower Motor Group - Belt Drive			
72		Variable Pitch Sheave	See Blower Motor Group - Belt Drive			
73		Belt	See Blower Motor Group - Belt Drive			

No.	Notes	MODEL TECHNICAL VARIATION COOLING CAPACITY ELECTRICAL DESIGNATION DRIVE PACKAGE	RJPL-	RJPL-	RJPL-	RJPL-
			A 042 C L	A 042 C M	A 042 D L	A 042 D M
BLOWER ASSEMBLY - BELT DRIVE						
59	Stk	Blower Assembly (Items 60-63, 65-70 excluding item 69b)	AS-101336-01	AS-101336-05	AS-101336-01	AS-101336-05
60		Housing	AS-101341-01	AS-101341-01	AS-101341-01	AS-101341-01
61	Stk	Bearing Frame Tri-Arm (2)	70-41723-03	70-41723-03	70-41723-03	70-41723-03
62	Stk	Ball Bearing and Cushion (2)	70-41911-01	70-41911-01	70-41911-01	70-41911-01
63	Stk	Blower Shaft	70-21933-02	70-21933-02	70-21933-02	70-21933-02
64	Stk	Fixed Pitch Sheave	71-21932-04	71-21932-03	71-21932-04	71-21932-03
65		Blower Support - Left	AE-58950-02	AE-58950-02	AE-58950-02	AE-58950-02
66	Stk	Wheel	70-23589-01	70-23589-01	70-23589-01	70-23589-01
67		Cut-Off Tabulation	AE-64401-05	AE-64401-05	AE-64401-05	AE-64401-05
71		Blower Motor	See Blower Motor Group - Belt Drive			
72		Variable Pitch Sheave	See Blower Motor Group - Belt Drive			
73		Belt	See Blower Motor Group - Belt Drive			

No.	Notes	MODEL TECHNICAL VARIATION COOLING CAPACITY ELECTRICAL DESIGNATION DRIVE PACKAGE	RJPL-	RJPL-	RJPL-	RJPL-
			A 048 C L	A 048 C M	A 048 D L	A 048 D M
BLOWER ASSEMBLY - BELT DRIVE						
59	Stk	Blower Assembly (Items 60-63, 65-70 excluding item 69b)	AS-101336-01	AS-101336-05	AS-101336-01	AS-101336-05
60		Housing	AS-101341-01	AS-101341-01	AS-101341-01	AS-101341-01
61	Stk	Bearing Frame Tri-Arm (2)	70-41723-03	70-41723-03	70-41723-03	70-41723-03
62	Stk	Ball Bearing and Cushion (2)	70-41911-01	70-41911-01	70-41911-01	70-41911-01
63	Stk	Blower Shaft	70-21933-02	70-21933-02	70-21933-02	70-21933-02
64	Stk	Fixed Pitch Sheave	71-21932-04	71-21932-03	71-21932-04	71-21932-03
65		Blower Support - Left	AE-58950-02	AE-58950-02	AE-58950-02	AE-58950-02
66	Stk	Wheel	70-23589-01	70-23589-01	70-23589-01	70-23589-01
67		Cut-Off Tabulation	AE-64401-05	AE-64401-05	AE-64401-05	AE-64401-05
71		Blower Motor	See Blower Motor Group - Belt Drive			
72		Variable Pitch Sheave	See Blower Motor Group - Belt Drive			
73		Belt	See Blower Motor Group - Belt Drive			

No.	Notes	MODEL TECHNICAL VARIATION COOLING CAPACITY ELECTRICAL DESIGNATION DRIVE PACKAGE	RJPL-	RJPL-	RJPL-	RJPL-
			A 060 C L	A 060 C M	A 060 D L	A 060 D M
BLOWER ASSEMBLY - BELT DRIVE						
59	Stk	Blower Assembly (Items 60-63, 65-70 excluding item 69b)	AS-101336-05	AS-101336-05	AS-101336-05	AS-101336-05
60		Housing	AS-101341-01	AS-101341-01	AS-101341-01	AS-101341-01
61	Stk	Bearing Frame Tri-Arm (2)	70-41723-03	70-41723-03	70-41723-03	70-41723-03
62	Stk	Ball Bearing and Cushion (2)	70-41911-01	70-41911-01	70-41911-01	70-41911-01
63	Stk	Blower Shaft	70-21933-02	70-21933-02	70-21933-02	70-21933-02
64	Stk	Fixed Pitch Sheave	71-21932-03	71-21932-03	71-21932-03	71-21932-03
65		Blower Support - Left	AE-58950-02	AE-58950-02	AE-58950-02	AE-58950-02
66	Stk	Wheel	70-23589-01	70-23589-01	70-23589-01	70-23589-01
67		Cut-Off Tabulation	AE-64401-05	AE-64401-05	AE-64401-05	AE-64401-05
71		Blower Motor	See Blower Motor Group - Belt Drive			
72		Variable Pitch Sheave	See Blower Motor Group - Belt Drive			
73		Belt	See Blower Motor Group - Belt Drive			

No.	Notes	MODEL TECHNICAL VARIATION COOLING CAPACITY ELECTRICAL DESIGNATION DRIVE PACKAGE	RJPL- A 036 C L	RJPL- A 036 C M	RJPL- A 036 D L	RJPL- A 036 D M
BLOWER MOTOR GROUP - BELT DRIVE						
71	Stk	Blower Motor	51-42579-01	51-21909-01	51-42579-01	51-21909-01
72	Stk	Variable Pitch Sheave	71-40427-30	71-40427-25	71-40427-30	71-40427-25
73	Stk	Belt	71-40235-43	71-40235-43	71-40235-43	71-40235-43

No.	Notes	MODEL TECHNICAL VARIATION COOLING CAPACITY ELECTRICAL DESIGNATION DRIVE PACKAGE	RJPL- A 042 C L	RJPL- A 042 C M	RJPL- A 042 D L	RJPL- A 042 D M
BLOWER MOTOR GROUP - BELT DRIVE						
71	Stk	Blower Motor	51-42579-01	51-21909-01	51-42579-01	51-21909-01
72	Stk	Variable Pitch Sheave	71-40427-30	71-40427-25	71-40427-30	71-40427-25
73	Stk	Belt	71-40235-43	71-40235-43	71-40235-43	71-40235-43

No.	Notes	MODEL TECHNICAL VARIATION COOLING CAPACITY ELECTRICAL DESIGNATION DRIVE PACKAGE	RJPL- A 048 C L	RJPL- A 048 C M	RJPL- A 048 D L	RJPL- A 048 D M
BLOWER MOTOR GROUP - BELT DRIVE						
71	Stk	Blower Motor	51-42579-01	51-21909-01	51-42579-01	51-21909-01
72	Stk	Variable Pitch Sheave	71-40427-30	71-40427-25	71-40427-30	71-40427-25
73	Stk	Belt	71-40235-43	71-40235-43	71-40235-43	71-40235-43

No.	Notes	MODEL TECHNICAL VARIATION COOLING CAPACITY ELECTRICAL DESIGNATION DRIVE PACKAGE	RJPL- A 060 C L	RJPL- A 060 C M	RJPL- A 060 D L	RJPL- A 060 D M
BLOWER MOTOR GROUP - BELT DRIVE						
71	Stk	Blower Motor	51-21909-01	51-41936-01	51-21909-01	51-41936-01
72	Stk	Variable Pitch Sheave	71-40427-29	71-40427-25	71-40427-29	71-40427-25
73	Stk	Belt	71-40235-42	71-40235-43	71-40235-42	71-40235-43

No.	Notes	MODEL TECHNICAL VARIATION COOLING CAPACITY ELECTRICAL DESIGNATION DRIVE PACKAGE	RJPL- A 036-060 C/D L/M			
BLOWER MOTOR MOUNTING - BELT DRIVE						
68		Blower Bracket	AE-101124-01			
69		Blower Bracket - Drive Side	AE-101124-04			
69a		Grommet - (Flat)	56-18518-04			
69b		Cross Brace	AE-101467-01			
70		Motor Mount Assembly	AS-101340-01			

No.	Notes	MODEL TECHNICAL VARIATION COOLING CAPACITY	RJPL- A 036	RJPL- A 042	RJPL- A 048	RJPL- A 060
COIL GROUP						
EVAPORATOR COIL:						
74	Stk	Evaporator Coil	AS-102377-03	AS-102377-03	AS-102026-03	AS-102026-03
	Stk	Distributor Assembly	83-100844-08	83-100844-08	83-100844-09	83-100844-09
76		Top Air Stop	AE-58933-01	AE-58933-01	AE-58933-01	AE-58933-01
77		Top Coil Support	AE-58941-01	AE-58941-01	AE-58941-01	AE-58941-01
78	Stk	Indoor Coil Drain Pan	68-23559-01	68-23559-01	68-23559-01	68-23559-01
		Filter Keeper	AE-59168-01	AE-59168-01	AE-59168-01	AE-59168-01
84		Filter Channels (Center is two channels back-to-back) (3)	AE-58934-01	AE-58934-01	AE-58934-01	AE-58934-01
85		Filter - Disposable 16 x 25 x 1 (2)	54-17531-10	54-17531-10	54-17531-10	54-17531-10
CONDENSER COIL:						
82	Stk	Condenser Coil	AS-102376-03	AS-102376-03	AS-102383-01	AS-102383-01
	Stk	Distributor Assembly	83-102378-01	83-102378-01	83-102378-02	83-102378-02
REFRIGERATION:						
79	Stk	TXV	61-102213-06	61-102211-18	61-102211-19	61-102211-20
80	Stk,2	Reversing Valve - See Note 2	61-102498-06	61-102498-06	61-102498-06	61-102498-03
81	Stk	Solenoid Coil	61-101713-03	61-101713-03	61-101713-03	61-101713-03
	Stk	Wiring Harness - Reversing Valve	61-26149-01	61-26149-01	61-26149-01	61-26149-01

No.	Notes	MODEL TECHNICAL VARIATION COOLING CAPACITY ELECTRICAL DESIGNATION	RJPL- A 036 C	RJPL- A 036 D	RJPL- A 036 J
COMPRESSOR GROUP					
		Compressor ID:	7640/8434	7641/8435	7642/8436
86	Stk	Compressor	55-102045-05S	55-102045-04S	55-102045-03S
35a	Stk	Capacitor - Fan/Compressor	N/A	N/A	43-26271-41
	Stk	Compressor Wiring Harness (Molded Plug)	45-100834-80	45-100834-80	45-100834-80

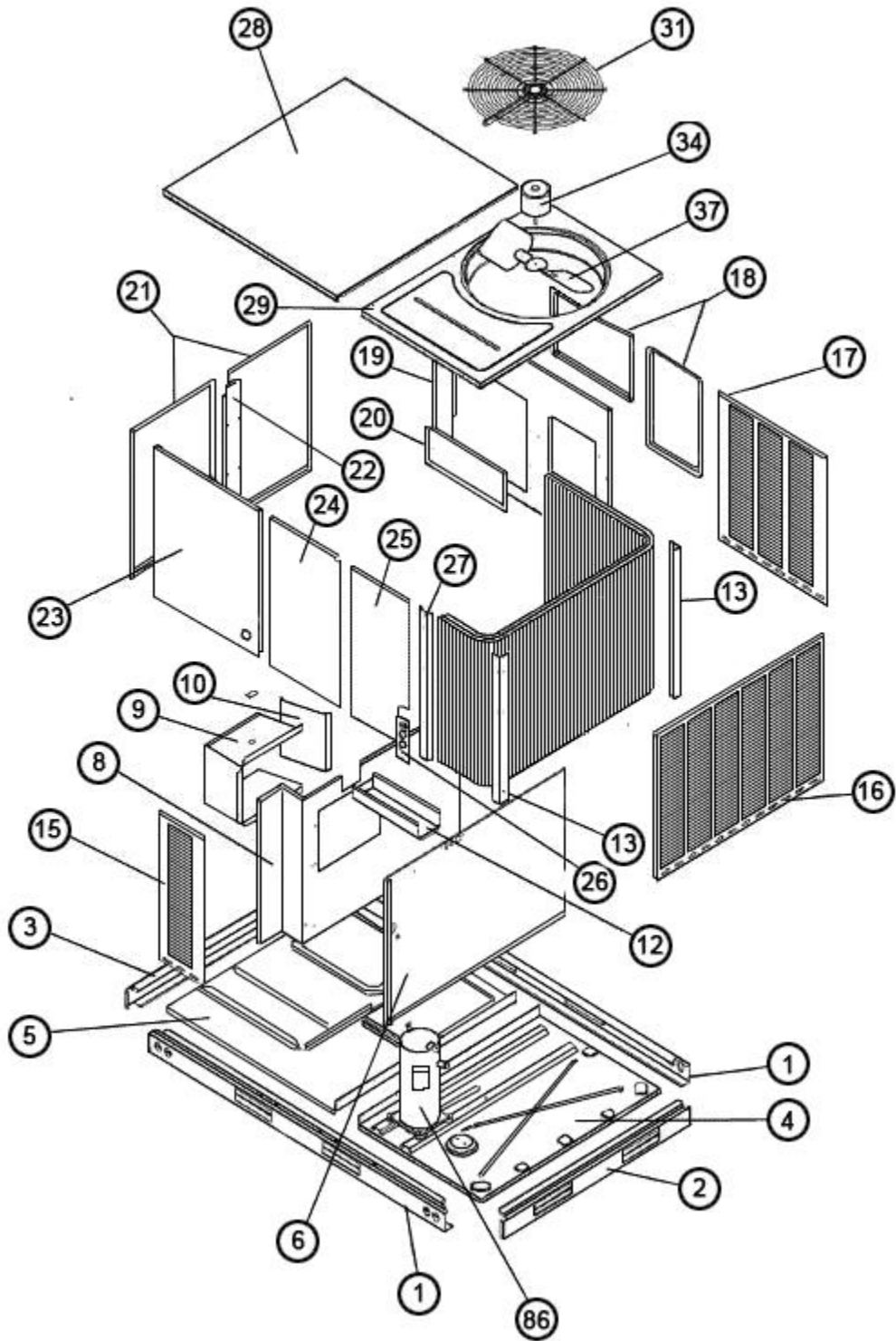
No.	Notes	MODEL TECHNICAL VARIATION COOLING CAPACITY ELECTRICAL DESIGNATION	RJPL- A 042 C	RJPL- A 042 D	RJPL- A 042 J
COMPRESSOR GROUP					
		Compressor ID:	7643/8437	7644/8438	7645/8439
86	Stk	Compressor	55-102045-16S	55-102045-25S	55-102045-12S
35a	Stk	Capacitor - Fan/Compressor	N/A	N/A	43-26271-41
	Stk	Compressor Wiring Harness (Molded Plug)	45-100834-80	45-100834-80	45-100834-80

No.	Notes	MODEL TECHNICAL VARIATION COOLING CAPACITY ELECTRICAL DESIGNATION	RJPL- A 048 C	RJPL- A 048 D	RJPL- A 048 J
COMPRESSOR GROUP					
		Compressor ID:	7646/8440	7647/8441	7648/8442
86	Stk	Compressor	55-102045-11S	55-102045-10S	55-102045-09S
35a	Stk	Capacitor - Fan/Compressor	N/A	N/A	43-26261-43
	Stk	Compressor Wiring Harness (Molded Plug)	45-100834-80	45-100834-80	45-100834-80

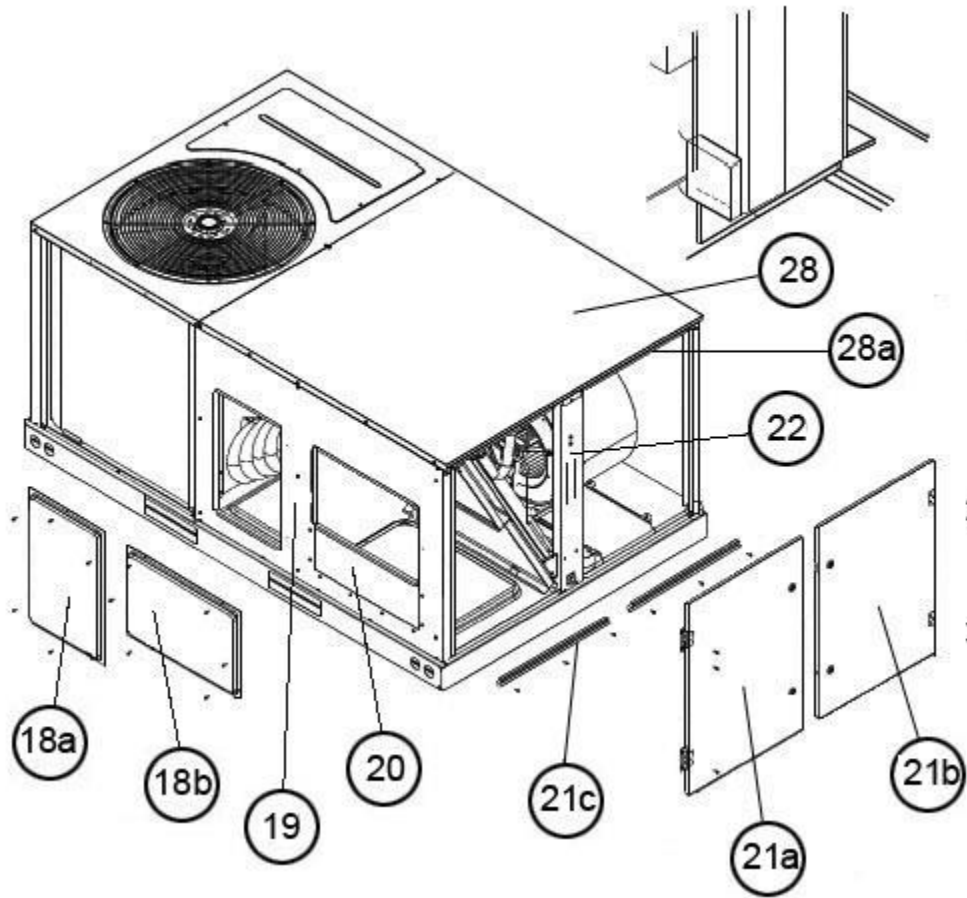
No.	Notes	MODEL TECHNICAL VARIATION COOLING CAPACITY ELECTRICAL DESIGNATION	RJPL- A 060 C	RJPL- A 060 D	RJPL- A 060 J
COMPRESSOR GROUP					
		Compressor ID:	7649/8443	7650/8444	7651/8445
86	Stk	Compressor	55-102045-27S	55-102045-28S	55-102045-26S
35a	Stk	Capacitor - Fan/Compressor	N/A	N/A	43-26271-47
	Stk	Compressor Wiring Harness (Molded Plug)	45-100834-80	45-100834-80	45-100834-80

No.	Notes	MODEL TECHNICAL VARIATION COOLING CAPACITY ELECTRICAL DRIVE PACKAGE	RJPL- A 036-060 C K/L/M	RJPL- A 036-060 D K/L/M	RJPL- A 036-060 J K
HEATER KITS					
		Heater Kit	RXJJ-A06C	RXJJ-A06D	RXJJ-A06J
		Heater Kit	RXJJ-A10C	RXJJ-A10D	RXJJ-A10J
		Heater Kit - (Canada Only)	RXJJ-A11C	RXJJ-A11D	RXJJ-A11J
		Heater Kit	RXJJ-A12C	RXJJ-A12D	RXJJ-A12J
		Heater Kit	RXJJ-A15C	RXJJ-A15D	RXJJ-A15J
		Heater Kit	RXJJ-A20C	RXJJ-A20D	RXJJ-A20J
		Heater Kit - (Canada Only)	RXJJ-A21C	RXJJ-A21D	RXJJ-A21J

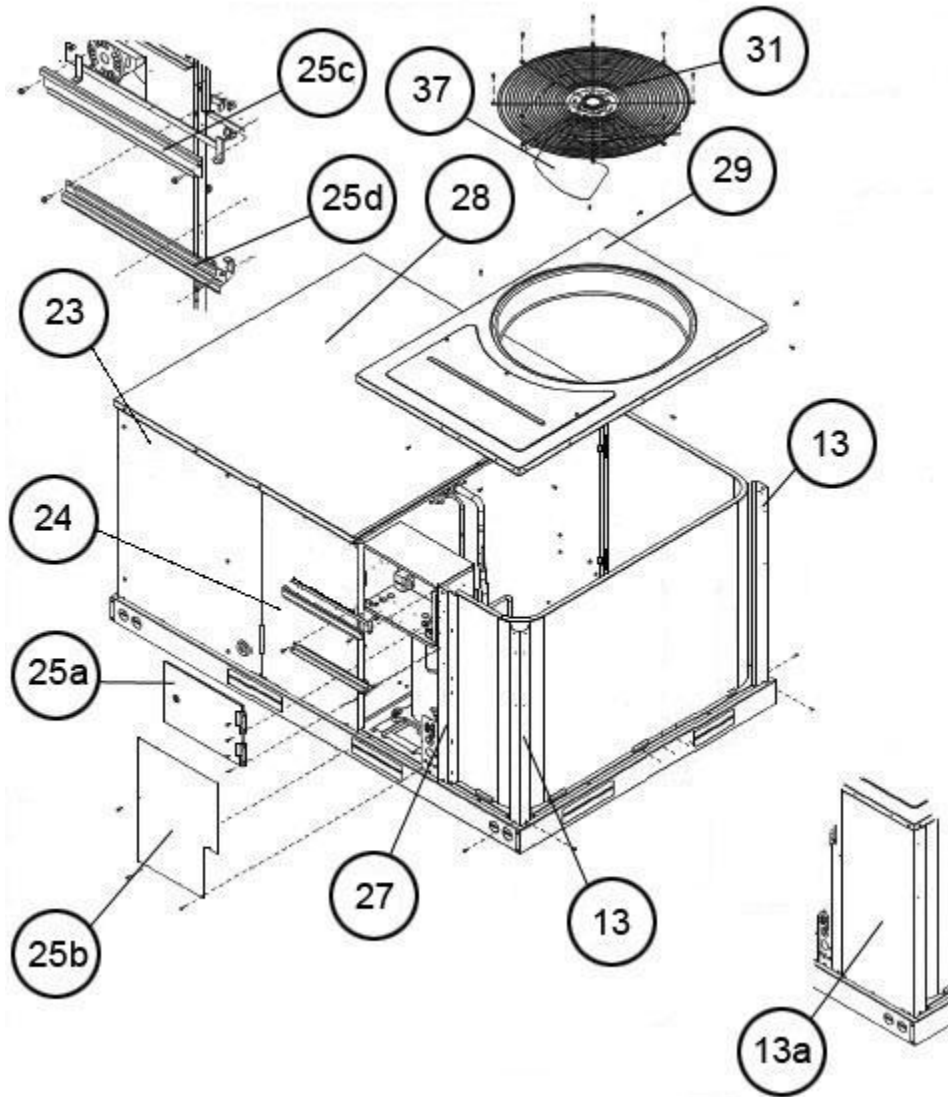
No.	Notes	MODEL TECHNICAL VARIATION COOLING CAPACITY	RJPL- A ALL		
OPTIONS AND ACCESSORIES					
		Economizer - Fully Modulating with Single Enthalpy	RXRD-MECM3		
		Dual Enthalpy Kit	RXRX-AV02		
		CO2 Sensor	RXRX-AR02		
		Power Exhaust - C Voltage	RXRX-BGF04C		
		Power Exhaust - D Voltage	RXRX-BGF04D		
		Fresh Air Damper Manual	RXRF-FBA1		
		Fresh Air Damper Motorized	RXRF-FBB1		
		Louver Kit - (3 Sides)	RXRX-AAD01B		
		Time Delay	RXMD-B01		
		Low Ambient Control	RXPZ-G01		



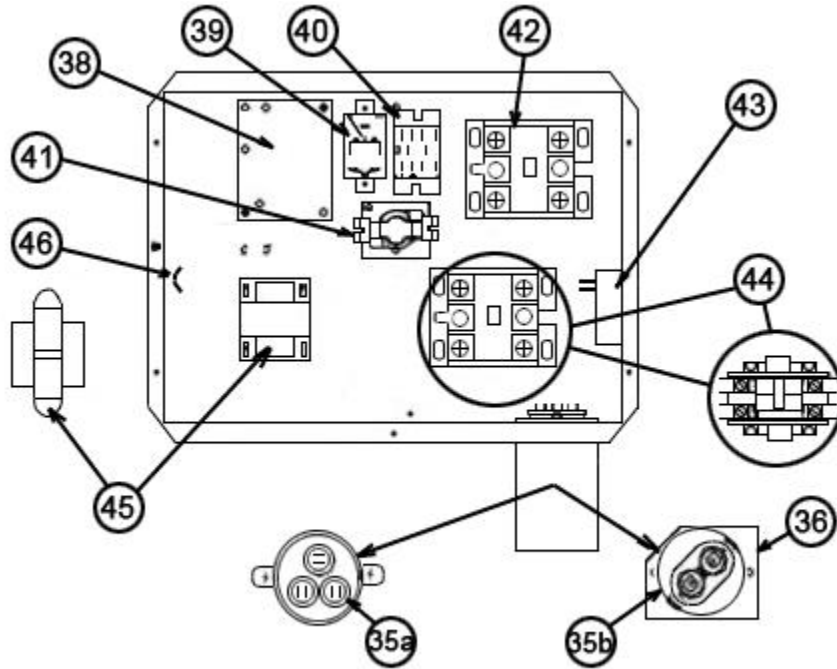
Exploded View



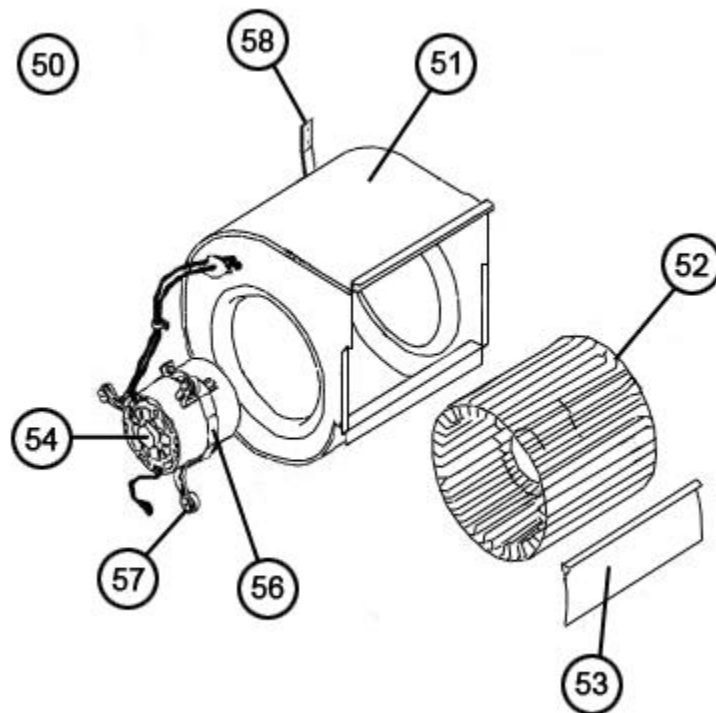
End Panel View (Hinged Panels)



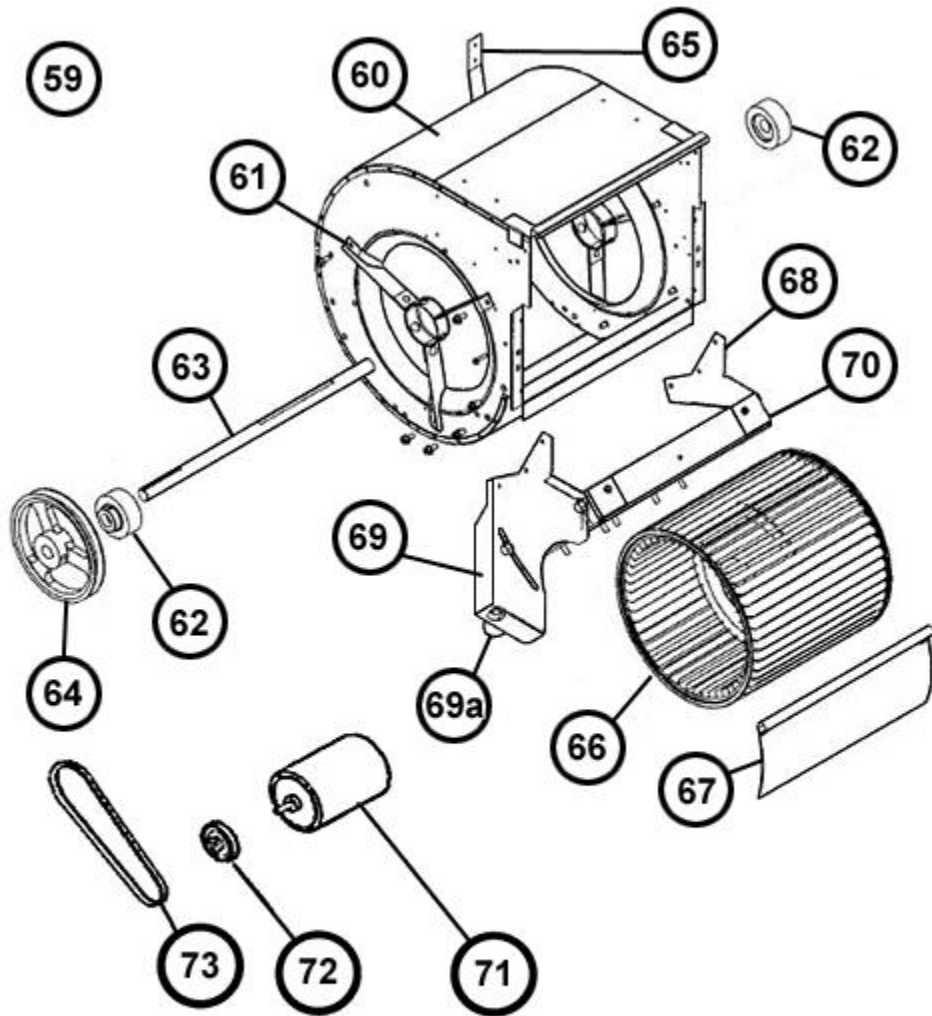
Top Panel (Hinged Panels)



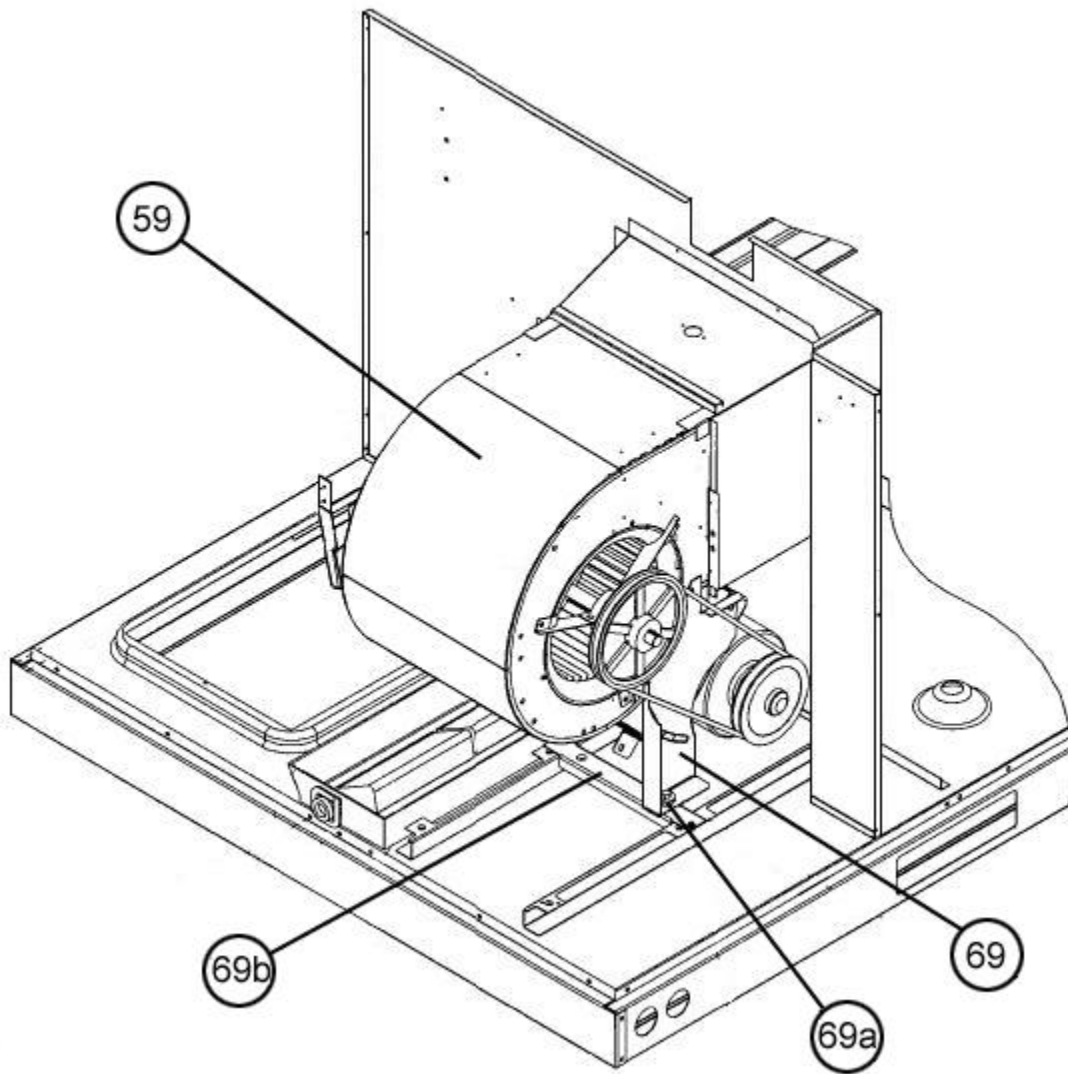
Control Box



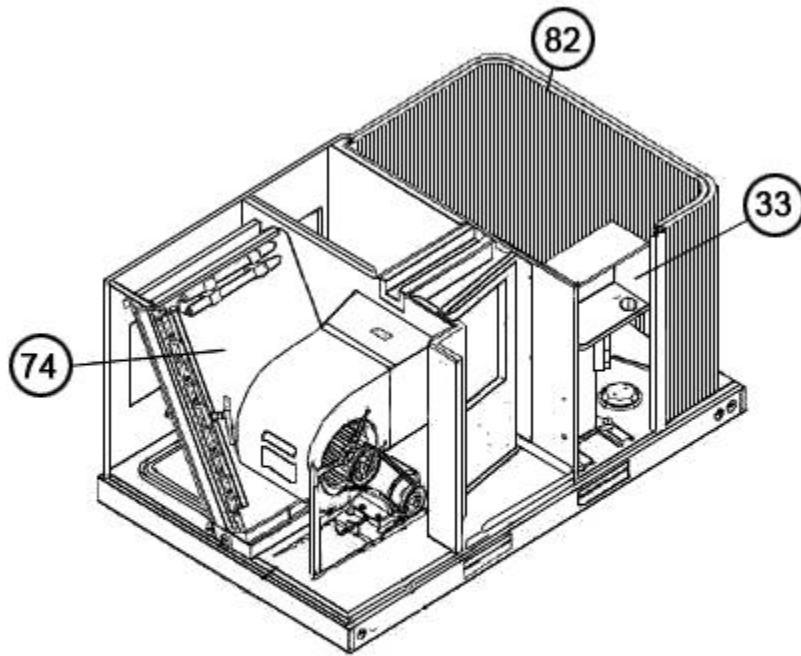
Blower Parts - Direct Drive



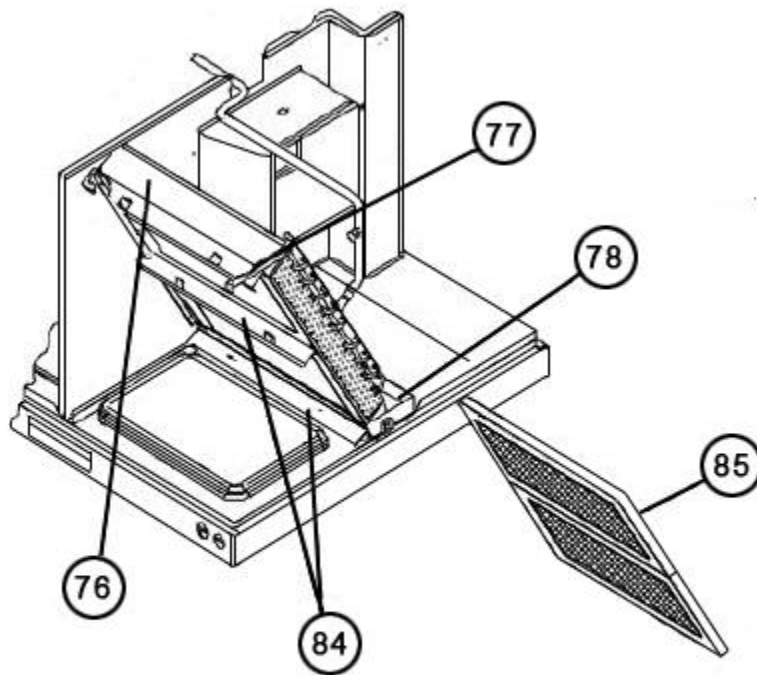
Blower Parts - Belt Drive



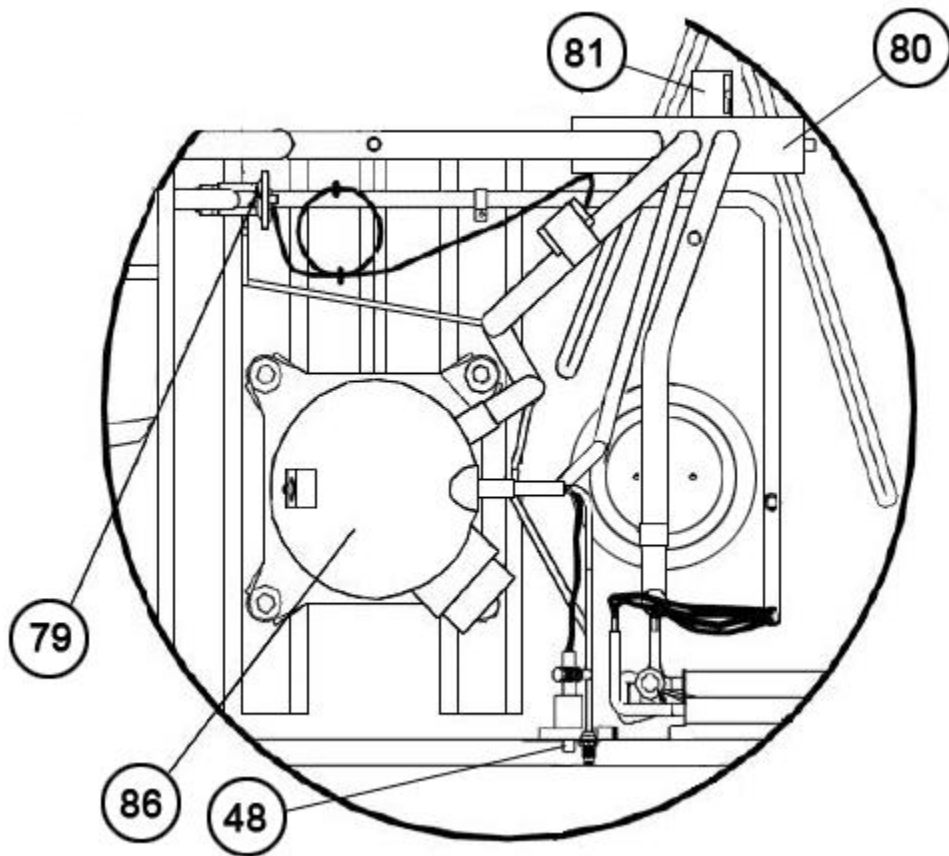
Blower Mounting - Belt Drive



Coil Group Cut-away View



Evaporator Coil - Filter Parts



Compressor - Refrigerator Group

NOTES

Stk It is recommended that stock be maintained for this part.

N/A Not Applicable

1 Defrost Relay is mounted on Defrost Control Board.

2 Reversing Valve may be different than originally supplied with unit. The replacement provides improved shifting performance.