

6036SMINWP – EVERYDAY BATHS

60 x 36 x 18

SOAKER MODEL #6036SMIN

WHIRLPOOL MODEL #6036SMINWP



FEATURES

- Alcove bath
- Integral skirt
- Deep bathing well
- Ergonomic backrest
- Slip-resistant textured bottom
- Left or right hand drain
- AcrylX™ applied acrylic surface
- Lifetime limited warranty
- West zone only

Whirlpool Features:

- 6 directional hydrotherapy jets
- Pneumatic on/off control
- Advanced safety suction system
- Removable access panels

OPTIONS

- Designer drain, waste & overflow

AQUATIC ADVANTAGE

- National distribution
- 6 manufacturing facilities
- Private fleet
- Centralized customer service
- Field support

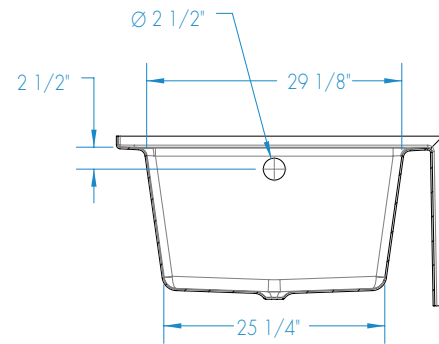
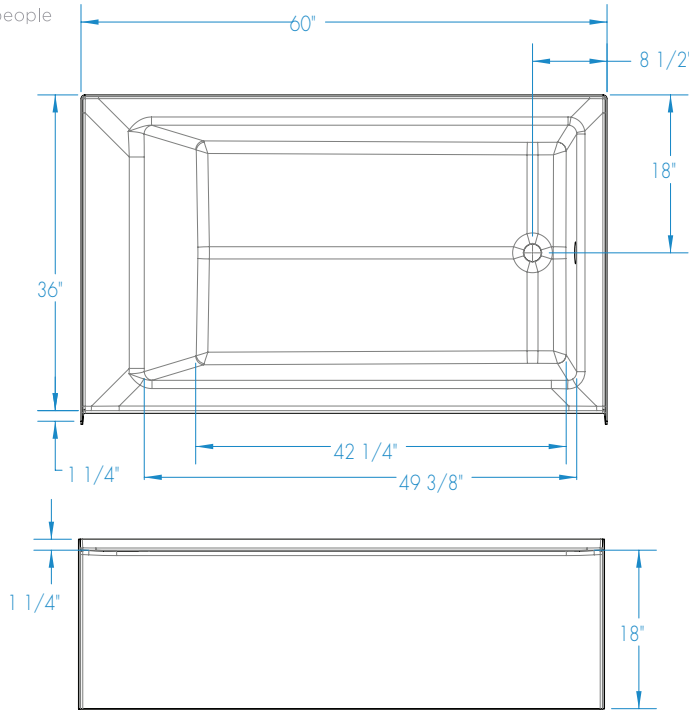
COLOR OPTIONS

Stock	Upgraded	Premium
White (C)	Almond (NA) Linen/Biscuit (C) Bone (C)	Black (NA) Mexican Sand (NA) Sand Bar (NA) Sterling Silver (NA)



6036SMINWP

60 x 36 x 18 inches



FEATURES lbs Dimensional Tolerance $\pm \frac{3}{16}$ ". Dimensions needed for site preparation should be measured from the unit. Aquatic assumes no responsibility for preparatory work.

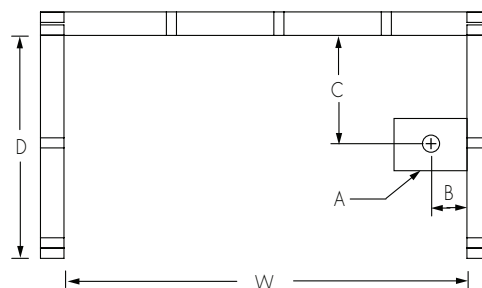
Model #	Material	Jets	Motor	Controls	Drain	Net Wt.	Pkg. Wt.
Soaker #6036SMIN	AcrylX™	0	-	-	LH or RH	57	64
Whirlpool #6036SMINWP	AcrylX™	6	63 GPM	Pneumatic	LH or RH	99	104

DIMENSIONS

Specifications	inches
Width: Overall / Net	60
Depth: Overall / Net	37 1/4 / 36
Height: Overall / Net	19 1/4 / 18
Enclosure Opening	-
Skirt Height	18
Drain Rough-In (from Back Wall)	18
Drain Rough-In (from Side Wall)	2 3/4
Drain: Diameter / Clearance	2 / 3/4

FRAMING DIMENSIONS inches

Type	D Depth	W Width	H Height	A	B	C
Alcove	37 1/4	60 1/8	19 1/4	Box Out	2 3/4	18



SUMP DATA

Top of Drain to Bottom of Overflow	Capacity to Overflow gal	Min. Operating Capacity gal	WIDTH @ centerline		DEPTH @ centerline	
			Top	Bottom	Top	Bottom
12 3/4	52	35	49 3/8	42 1/4	29 1/8	25 1/4