



Copy Needed For The Mitra Tub. Visit <http://www.hydrossystem.com> for more details on our options and accessories.

#### OPTIONS

- Padded Headrest Pillow
- Island Tub Drain (can only be used without the tip-toe drain)
- Export Crate
- Hydro Coat
- Hydro Express quick ship
- Two-tone finish matte/polish
- Multi color interior/exterior
- Thermal Air
  - 1-115Volts 15 AMP Dedicated GFI
  - Blower requires remote location

**FEATURES SHOWN:**

- Soaking Tub Only

**AVAILABLE SYSTEMS:**

- Thermal Air

**SIZE:**

72.38.24

**WATER CAPACITY:**

90 Gallons

**WEIGHT:**

450 lbs. Tub Only

520 lbs. Thermal Air

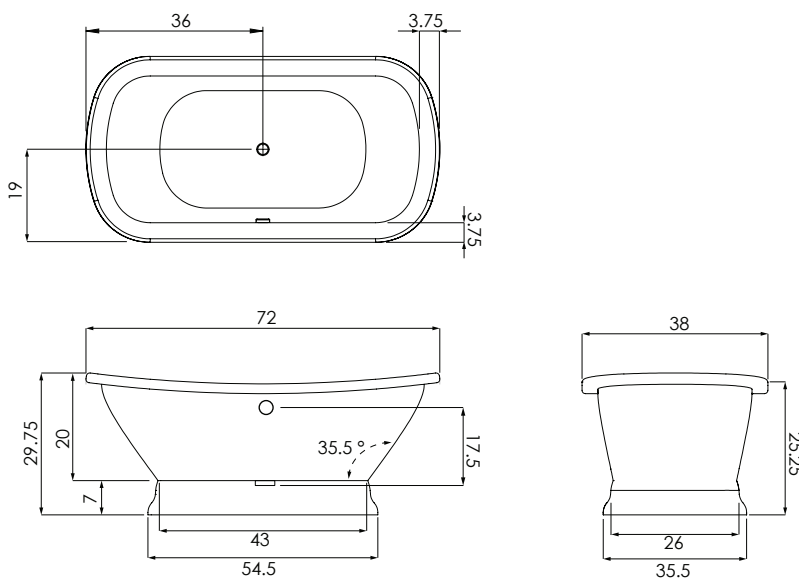
**MODEL 7238 DIMENSIONS:**

- (L)ength- 72"
- (W)idth- 38"
- (H)eight- 24"



**HYBRID COMPOSITE TUB**

- Thermal Air system requires remote blower
- Equipped with standard polish chrome fully exposed tip-toe drain



**CODES AND COMPLIANCES**

Massachusetts code File no: P1-0614-491

