

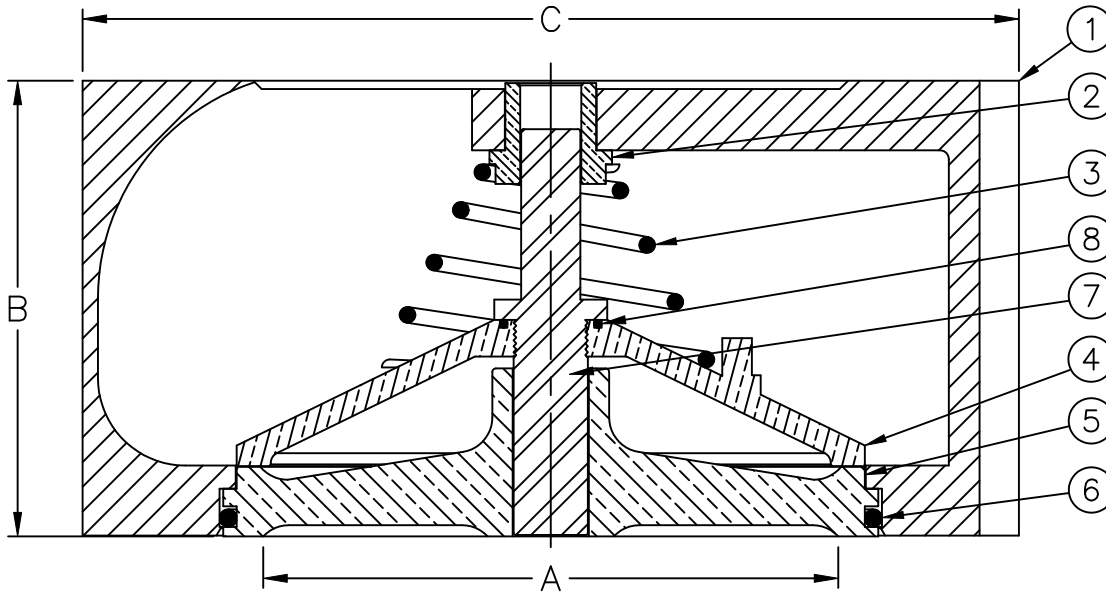
# Wafer Check Valve    Silent Check    Model 888



Sizes 8" & 10" / 200 mm & 250 mm

Flomatic Corporation

## Materials



Item #	Qty	Description	Material	ASTM
1	1	Body (Epoxy Coated)	Cast Iron	A126, Class B
2	1	Bushing	Bronze	C95400
3	1	Spring	Stainless Steel	302
4	1	Poppet	Silicone Brass	C87800
5	1	Seat Ring*	Silicone Brass	C87800
6	1	O'Ring	EPDM	5778-70
7	1	Stem	Stainless Steel	316
8	1	O'Ring	EPDM	5778-70

\*OPTIONAL RESILIENT SEAT AVAILABLE, ADD "R" TO THE PART NUMBER  
RESILIENT SEATED VALVE IS NOT NSF 61 APPROVED

Max Temp 180°F (82°C)

Max Inlet Pressure (125#) 200 psi (14bar)

Max Inlet Pressure (250#) 400 psi (27bar)

PATENT # 6,024,121

## Dimensions

Size		Part #	ØA		B		ØC		Weight		# of Bolts		Bolt Size by Flange	
Inch	mm		inch	mm	inch	mm	inch	mm	lbs	kg	125#	250#	125#	250#
8	200	2438	8-7/32	209	6-1/2	165	13-3/8	340	80	36	8	N/A	3/4 X 9	N/A
8	200	2438-2	8-7/32	209	6-1/2	165	13-5/8	346	85	39	N/A	12	N/A	7/8 X 10
10	250	2439	10-7/64	257	8-1/4	210	16	406	129	59	12	N/A	7/8 X 12-1/2	N/A

Flomatic Corporation can accept no responsibility for possible errors in catalogues, brochures and other printed material. Flomatic Corporation reserves the right to alter its products without notices. This also applies to product already agreed. All trademarks in this material are property of the respective companies. All right reserved. ©2011 Flomatic Corporation. The drawings & information on this drawing sheet are the sole & exclusive property of Flomatic Corporation. Any reproduction, distribution, display or use of these drawings or information in whole or in part without written authorization of Flomatic Corporation is strictly prohibited.



April 4, 1995  
Dwg No: S888-2 Rev N (7/15)

FLOMATIC CORPORATION  
GLENS FALLS, N.Y. 12801  
PHONE (518) 761-9797  
FAX (518) 761-9798