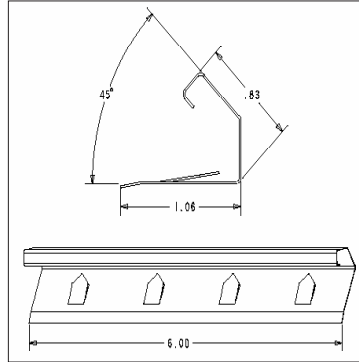


E-55 Cleat



Product Data Sheet



Features

- Four "Teeth" provides a secure lock
- Easy to install (no tool needed)
- Meets SMACNA requirements (6" Length)
- Union Made
- Works with C, F, J Flange, and Elgen Flange

Description

Elgen's E-55 Cleat is compatible on all flange systems except H. The E-55 Cleat is used on the perimeter of the Flange, four bolt rectangular system. The use of the E-55 Cleat provides uniform compression for the 440 Butyl Gasket between the Flange's for an energy efficient seal.

Optional Construction

- Stainless Steel 304
- Stainless Steel 316
- Aluminum
- PCD
- Galvanneal (Paint Grip)

Standard Construction

Stamped from 22 and 20 Ga ASTM A-653 G60 material

Weight(per box)(22 GA): 28 lbs

Weight(per box)(20 GA): 34 lbs

Packaging

Gauge	Box Qty	Skid Qty
22	250	24,000
20	250	24,000

Guarantee

All Elgen products are guaranteed by Elgen Manufacturing against defective material.

Elgen Manufacturing

10 Railroad Ave, Closter NJ 07624

Tel: 800.503.9805 :: Fax: 201.964.9030

info@elgenmfg.com :: www.elgenmfg.com