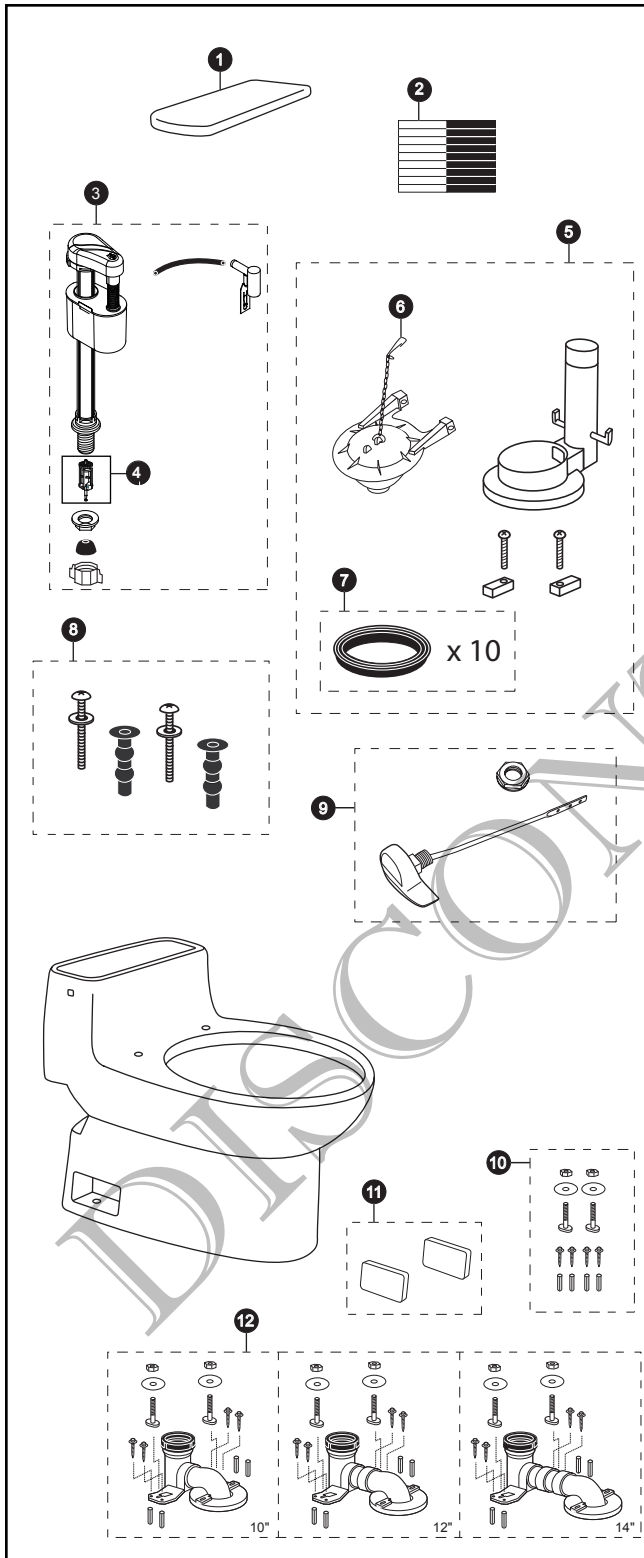


MS884114

MS884114
CST884

Carolina™ 1.6 Gpf Toilet, Elongated, Power Gravity®, UniFit Rough-In



Item	Part	Description
1	TCU864CR#01	Tank Lid w/ Velcro Tape
	TCU864CR#03	Tank Lid w/ Velcro Tape
	TCU864CR#04	Tank Lid w/ Velcro Tape
	TCU864CR#11	Tank Lid w/ Velcro Tape
	TCU864CR#12	Tank Lid w/ Velcro Tape
	TCU864CR#51	Tank Lid w/ Velcro Tape
2	THU107	Velcro Tape
3	TSU17A	Fill Valve
4	THU229	Fill Valve Filter
5	THU001Z	Flush Valve
6	THU140S	Flapper w/ Chain
7	THU097	Flush Valve Gaskets (10 Pieces)
8	THU651N	Top Mounting Seat Hardware
9	THU004#01	Trip Lever
	THU004#03	Trip Lever
	THU004#04	Trip Lever
	THU004#11	Trip Lever
	THU004#12	Trip Lever
	THU004#51	Trip Lever
	THU004#CP	Trip Lever
	THU004#PB	Trip Lever
10	THU020	UniFit Mounting Set
11	TCU884CV#01	Side Plates w/ Velcro Tape
	TCU884CV#03	Side Plates w/ Velcro Tape
	TCU884CV#04	Side Plates w/ Velcro Tape
	TCU884CV#11	Side Plates w/ Velcro Tape
	TCU884CV#12	Side Plates w/ Velcro Tape
	TCU884CV#51	Side Plates w/ Velcro Tape
12	TSU01W.10	UniFit - 10" Rough-In
	TSU01W.12R	UniFit - 12" Rough-In
	TSU01W.14	UniFit - 14" Rough-In

Product Number Explanations

One-Piece Toilet

(MS) Toilet & Seat Combination
(884) Toilet Model
(114) Seat Model

One-Piece Toilet

(CST) Gravity Type Toilet
(884) Model

Colors

(#01) Cotton
(#03) Bone
(#04) Gray
(#11) Colonial White
(#12) Sedona Beige
(#51) Ebony

Finishes

(#CP) Chrome Plated
(#PB) Polished Brass