

## Powers™ Controls

### CP 567 Control Cabinets

**Description** CP 567 Control Cabinets are designed to conveniently group control system components (see Figure 1). Control components can be mounted on the door or mounted within the cabinet enclosure using the perforated mounting plate. Cabinets are available in five sizes: 0, 1, 2, 3, 4. See Table 1 for product numbers and dimensions.

- The enclosure, door, and mounting plate for sizes 1, 3 and 4 may be ordered separately.
- The Size 1 cabinet enclosure is available in a flush mount version.
- Size 3 and 4 cabinets are available in 6-inch depth (for electronic installations) or 9-inch depth (for pneumatic installations).
- Size 0 cabinets have permanently mounted door hinge and have windowed door option. These sizes are only available as complete cabinet assemblies.

### Variations



Figure 1. CP 567 Control Cabinet Assembly Examples

Table 1. Product Numbers.

| Description   | Product Numbers |              | Dimensions<br>Inches (mm)<br>H × W × D |  |
|---|-----------------|--------------|--|--|
|   | Size            | Installation |  |  |
| <b>Complete Cabinet Assemblies</b>  |                 |              |  |  |
| <i>(Cabinet Assembly includes cabinet box-enclosure, blank door, perforated mounting panel, keylock, label for optional application.)</i> |                 |              |  |  |
| Cabinet Assembly with<br>"Blank" Door   | 0               | Electronic   | 567-551                                | 12 (305) × 14 (356) × 3-1/2 (89)           |
|   | 1               | Pneumatic    | 567-351                                | 19-1/2 (495) × 16-3/8 (416) × 5-3/4 (146)  |
|   | 2               | Electronic   | 567-454                                | 20 (508) × 20 (508) × 6 (152)              |
|   | 3               | Pneumatic    | 567-352                                | 24-5/16 (617) × 24-3/8 (619) × 9-3/8 (238) |
|   | 3               | Electronic   | 567-452                                | 24-5/16 (617) × 24-3/8 (619) × 6 (152)     |
|   | 4               | Pneumatic    | 567-353                                | 36-1/2 (927) × 24-3/8 (619) × 9-3/8 (238)  |
| Cabinet Assembly with<br>polycarbonate "Window" in<br>the Door  | 4               | Electronic   | 567-453                                | 36-1/2 (927) × 24-3/8 (619) × 6 (152)      |
|   | 0               | Electronic   | 567-556                                | 12 (305) × 14 (356) × 3-1/2 (89)           |

**Table 2. Product Numbers (continued)**

| Description  |              |           | Product Numbers | Dimensions<br>Inches (mm)<br>H × W × D |
|--|--------------|-----------|-----------------|--|
| Size   | Installation |           |                 |  |
| <b>Individual Cabinet Components for Rough-in and Staged Installation</b>                          |              |           |                 |  |
| Cabinet Enclosure (Box)<br>Only – for rough-in   | 1            | Pneumatic | 567-371         | See Figures 4 and 5                    |
|  | 3            | Either    | 567-372         | See Figures 4 and 5                    |
|  | 4            | Either    | 567-373         |  |
| Cabinet Door Only  | 1            | Pneumatic | 567-361         | See Figure 4                           |
|  | 3            | Either    | 567-362         |  |
|  | 4            | Either    | 567-363         |  |
| Flush Mount Cabinet  | 1            | Pneumatic | 567-391         | See Figure 7                           |
| Flush Mount Door Kit   | 1            | Pneumatic | 567-390         | See Figure 8                           |
| Perforated Mounting Plates<br>(NOTE: Mounting bolts and<br>nuts included with enclosure<br>(box.)) | 1            | Pneumatic | 567-381         | –                                      |
|  | 3            | Either    | 567-382         |  |
|  | 4            | Either    | 567-383         |  |

## Application

CP 567 Control Cabinets provide a convenient central location for equipment mounting, termination of piping, adjustment, and calibration.

The door and mounting plate can be separated from the cabinet enclosure on sizes 1, 3 and 4. The empty cabinet enclosure can be installed at the job to permit early wiring rough-in.

Controls may be mounted to the door and mounting plate either at the job site or at the office and attached to the cabinet enclosure at your convenience. After reassembly, final connections are made.

Cabinets may be used with pneumatic systems employing either copper or polyethylene tubing for transmission lines, with wired electric/electronic systems, or with a combination of both. Cabinets with window in door may be used with controls having displays.

Pneumatic tubing within the cabinet enclosure should be polyethylene for a flexible connection to hinged door components and for easy installation and arrangement.

## Features

- Cabinets are symmetrical; therefore, they can be mounted with the door hinge on the left or right hand side.
- Door is removable on sizes 1, 3 and 4. Sizes 0 and 2 have a fixed hinge door.
- Attractive gray finish permits use in occupied areas.
- Removable perforated mounting plate permits mounting controls inside the cabinet without drilling holes.
- All cabinets can be wall mounted. Knockouts are provided for wiring or piping.
- A windowed door version is available for controls having displays for external viewing.
- Support kits are available for floor mounting for cabinet sizes 3 and 4.
- Cabinets are NEMA 1 rated, listed under UL 508 Industrial Control Panel Enclosures.
- CSA approved file LR84214.
- Height and width dimensions and cabinet color are the same for automation and pneumatic cabinets for a uniform look and mounting.

|                       |   |  |
|-----------------------|---|--|
| <b>Specifications</b> | Cabinet Sizes                             | See Table 1  |
|                       | Dimensions:                               |  |
|                       | Cabinet, Door, Subpanel                   | See Figures 4 through 8 and Tables 6, 7                              |
|                       | Supports                                  | See Figure 6   |
|                       | Mounting:                                 |  |
|                       | Wall                                      | See Figure 4 and Table 6   |
|                       | Floor                                     | See Figure 5   |
|                       | Flush (in wall)                           | See Figures 7 and 8 and Table 7                                      |
|                       | Knockouts-Electrical Conduit Size:        |  |
|                       | Size 0 Cabinets                           |  |
|                       | Top                                       | (3) 1-1/4 or 1-1/2, (1) 3/4 or 1,<br>(2) 1/2 or 3/4, (1) 7/16        |
|                       | Bottom                                    | (3) 1-1/4 or 1-1/2, (1) 3/4 or 1,<br>(2) 1/2 or 3/4, (1) 7/16        |
|                       | Right Side                                | (2) 2  |
|                       | Left Side                                 | (2) 2  |
|                       | Size 1 and Flush Mount Cabinets           |  |
|                       | Top                                       | (3) 1-1/4 or 1-1/2, (1) 3/4 or 1,<br>(2) 1/2 or 3/4, (1) 7/16        |
|                       | Bottom                                    | (3) 1-1/4 or 1-1/2, (1) 3/4 or 1,<br>(2) 1/2 or 3/4, (1) 7/16        |
|                       | Right Side                                | (2) 2  |
|                       | Left Side                                 | (2) 2  |
|                       | Size 2, Size 3 and Size 4 Cabinets        |  |
|                       | Top                                       | (1) 2, (3) 1-1/4 or 1-1/2,<br>(1) 3/4 or 1, (1) 1/2 or 3/4, (1) 7/16 |
|                       | Bottom                                    | (1) 2, (3) 1-1/4 or 1-1/2,<br>(1) 3/4 or 1, (1) 1/2 or 3/4, (1) 7/16 |
|                       | Right Side                                | (2) 2  |
|                       | Left Side                                 | (2) 2  |
|                       | Material (Steel):                         |  |
|                       | Cabinet (Size 0, 1, 2, 3 and Flush Mount) | 16 gauge 0.0598 (1.5 mm)   |
|                       | Door (Size 0, 1, 2, 3 and Flush Mount)    | 16 gauge 0.0598 (1.5 mm)   |
|                       | Cabinet (Size 4)                          | 14 gauge 0.0747 (1.9 mm)   |
|                       | Door (Size 4)                             | 14 gauge 0.0747 (1.9 mm)   |
|                       | Mounting Plate                            | 16 gauge 0.0598 (1.5 mm)   |
|                       | Supports                                  | 14 gauge 0.0747 (1.9 mm)   |
|                       | Finish                                    | Gray   |
|                       | Weight:                                   |  |
|                       | Size 0 Cabinet Assembly                   | 12 lb (5.5kg) with or without window                                 |
|                       | Size 1 Cabinet Assembly                   | 20 lb (9 kg)   |
|                       | Size 2 Cabinet Assembly                   | 28 lb (13 kg)  |
|                       | Size 3 Cabinet Assembly                   | 39 lb (18 kg)  |
|                       | Size 4 Cabinet Assembly                   | 72 lb (33 kg)  |
|                       | Flush Mount Enclosure                     | 20 lb (9 kg)   |
|                       | Flush Mount Kit                           | 8 lb (3.6 kg)  |
|                       | Support Legs                              | See Table 2  |

**Accessories**

---

|   |  |
|---|--|
| Replacement Door Lock and Key Assembly            | 567-225  |
| Floor Mount Support Kit<br>(2 supports, hardware) | See Table 2  |
| Cabinet Light                                     | See I.D. Number 3296<br>in the <i>Field Purchasing Guide</i> . |

**Table 3. Floor Mount Support Kit.**

| Cabinet Size to be Supported | Support Size           |               | Order Number |
|------------------------------|------------------------|---------------|--------------|
|                              | Height                 | Weight        |              |
| Size 3                       | 49 inches<br>(1245 mm) | 40 lb (18 kg) | 567-335      |
| Size 4                       | 37 inches<br>(940 mm)  | 30 lb (14 kg) | 567-334      |

**NOTE:** The six-inch deep cabinets do not have floor mount support kits.

**Door Layout**

**NOTE:** Controls cannot be mounted to the door of the flush mount cabinet.

Perform the following steps when preparing to lay out a cabinet door:

1. Determine controls to be mounted on the door.
2. Determine if the controls mounted in the door will clear the mounting plate when tubing or wires are attached. See Figure 3 and Table 5 for dimensions. Table 4 provides the approximate space requirements for controls frequently mounted in the door.
3. Determine if the total weight of the controls (see Table 4) to be mounted on the door are within the maximum weight limitations shown in Table 3. If weight limitations are exceeded, the door might sag and prevent proper closure.

**Table 4. Weight Limitations.**

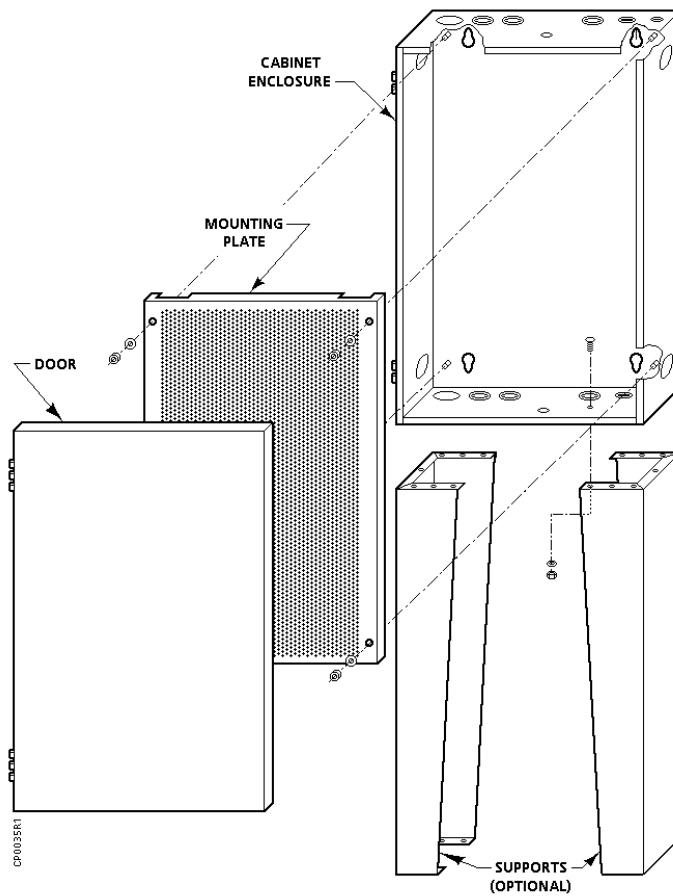
| <b>Cabinet Size</b> | <b>Maximum Weight of Controls That Can Be Mounted on Door<br/>lb (Kg)</b> | <b>Maximum Number of Selector Switches That Can Be Mounted on Door</b> |
|---------------------|---|--|
| Size 1              | 21 (9.5)  | 14   |
| Size 2              | 24 (11)   | 16   |
| Size 3              | 30 (14)   | 20   |
| Size 4              | 93 (42)   | 62   |

**Cabinet Installation  
(Non-flush mount)**

1. There are four keyhole mounting holes in the back surface of the cabinet. Their sizes and locations are shown in Figure 5. Use wall anchors that are suitable to support the weight of the cabinet and its contents.
2. If more than one cabinet is to be mounted in the same location, allow at least 2 inches (51 mm) between cabinets to provide space for doors to open properly.
3. The cabinets are symmetrical before cutouts have been made, so the door can be mounted with the hinge on the left or right side.
4. Determine the size of the knockouts required for the number and size of pneumatic tubes and wires to be brought into the cabinet.
5. If more than one knockout is required, divide the tubes and wires for easy connection to the controls.
6. If a cabinet light is required, order per instructions under accessories. The recommended mini work light has a 2-inch diameter by 4-inch long (51 mm × 102 mm) bulb holder on a 15-inch (381 mm) long flexible metal arm.
  - a. Remove the plug and mounting bracket from the light.
  - b. Punch out the 7/16-inch (11 mm) diameter knockout in the center of the top of the cabinet.
  - c. Attach the light using the nut and washer provided with it.
  - d. Wire the light cord in compliance with local electrical codes.

**Controls Installation NOTE:** It might be easier to remove the door from the cabinet and then mount the controls onto the door or the mounting plate.

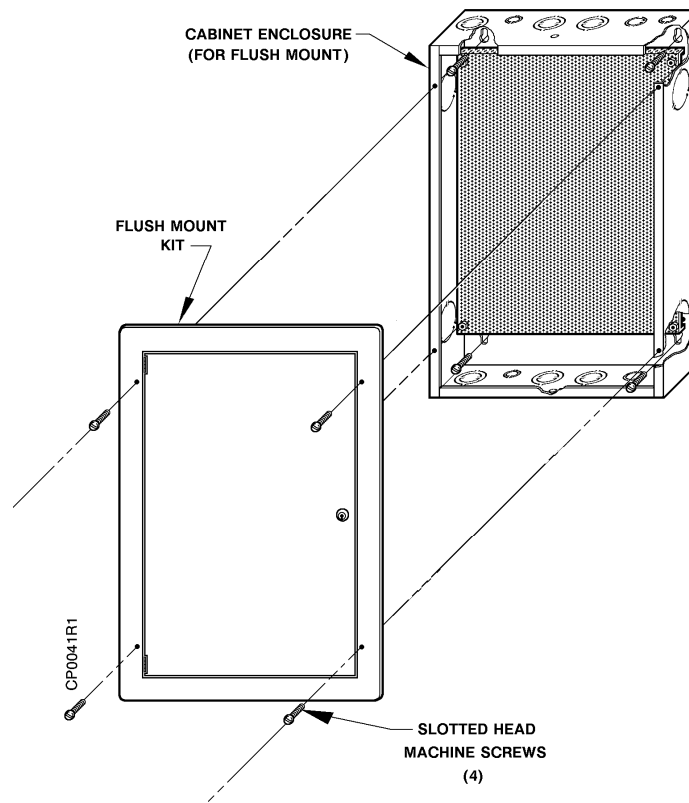
1. The space required for the controls mounted in the door or the mounting plate is shown in Table 4. Space available between the door and the mounting plate is shown in Figure 4, Table 5, and Table 6.
2. Arrange the controls on the mounting plate to avoid interference with the controls on the door. Arrange the controls in logical groupings for easy access to fitting and wiring terminals. Table 4 shows the approximate space required for controls frequently mounted on the mounting plate in the cabinet.
3. In some cases it might be easier to remove the mounting plate to mount the controls.
4. Mount the controls to the perforated mounting plate with standard sheet metal screws.
5. When routing tubing or wires from the controls mounted on the door, allow sufficient slack to prevent excessive stress.
6. Bundle and tie tubing and wires separately.



**Figure 2. Wall Mount Cabinet Components.**

**Cabinet Installation  
(Flush Mount)**

1. Mount the cabinet in a wall at least 6 inches (15.2 cm) deep. There are four keyhole mounting holes in the back surface of the cabinet. Their sizes and locations are shown in Figure 5. Use wall anchors that are suitable to support the weight of the cabinet and its contents.
2. Determine the size of the knockouts required for the number and size of pneumatic tubes and wires to be brought into the cabinet.
3. The cabinets are symmetrical before cutouts have been made, so the door can be mounted with the hinge on the left or right side.
4. If more than one knockout is required, divide the tubes and wires for easy connection to the controls.
5. If a cabinet light is required, order per instructions under accessories. The recommended mini work light has a 2-inch diameter by 4-inch long (51 mm × 102 mm) bulb holder on a 15-inch (381 mm) long flexible metal arm.
  - a. Remove the plug and mounting bracket from the light.
  - b. Punch out the 7/16-inch (11 mm) diameter knockout in the center of the top of the cabinet.
  - c. Attach the light using the nut and washer provided with it.
  - d. Wire the light cord in compliance with local electrical codes.

**Figure 3. Flush Mount Cabinet Components.**

**Table 5. Approximate Panel Space Requirements (Includes Fitting and Clearances).**

| Equipment                   | Door Mounting Depth Inches (mm) | Equipment Weight Pounds (kg) (See Note 3) | Mounting Plate Depth Inches (mm) | Inside Area Required Inches <sup>2</sup> (cm <sup>2</sup> ) |
|-----------------------------|---------------------------------|---|----------------------------------|---|
| 6 Input Sig. Selector       | –                               | –   | 4 (102)                          | 12 (77)   |
| 656 Pilot Valve             | –                               | –   | 3 (76)                           | 100 (645)   |
| ARG 61.00 Wall Mount Case   | –                               | –   | 8.52 (216.4)                     | 13.10 (84.5)  |
| ARG 61.01 Panel Mount Case  | 7.52 (191)                      | 1.65 (0.750)                              | –                                | 11.28 (72.8)  |
| D.P. Switch                 | –                               | –   | 3 (76)                           | 45 (290)  |
| Diff. Press. Reg.           | –                               | –   | 3 (76)                           | 35 (226) (See Note 1)                                       |
| E.P.                        | –                               | –   | 1-1/4 (32)                       | 30 (194)  |
| Electric Relay              | –                               | –   | 4 (102)                          | 30 (194)  |
| Enthalpy Comparator         | –                               | –   | 3-1/2 (89)                       | 30 (194)  |
| FZA 21 Remote Setting Unit  | 0.87 (22)                       | 0.11 (0.05)                               | –                                | 1.98 (12.76)  |
| FZA 61 Remote Setting Unit  | 1.10 (28)                       | 0.15 (0.07)                               | –                                | 3.00 (19.36)  |
| Gauges 1-1/2"               | 2 (51)                          | 0.2 (0.09)                                | 1-1/2 (38)                       | 4 (26) (See Note 2)   |
| Gauges 2-1/2"               | 2-1/2 (64)                      | 0.5 (0.22)                                | –                                | –   |
| Gauges 3-1/2"               | 2-1/2 (64)                      | 0.6 (0.27)                                | –                                | –   |
| Min (PRV)                   | 3 (76)                          | 0.5 (0.22)                                | 2 (51)                           | 10 (65)   |
| MP, BR, Analog Relays       | 4-1/2 (114)                     | 2 (0.91)                                  | 2-1/2 or 5 (64 or 127)           | 42 (271)  |
| P.E. (Single)               | –                               | –   | 3-1/2 (89)                       | 28 (181)  |
| Positioning/Selector Switch | 3 (76)                          | 2 (0.91)                                  | 5 (127)                          | 10 (65) (See Note 2)  |
| PRV (Powers)                | –                               | –   | 5-1/2 (140)                      | 100 (645)   |
| RC 195                      | –                               | –   | 3-1/2 (89)                       | 60 (387)  |
| Static Pressure Reg.        | –                               | –   | 4 (102)                          | 30 (194)  |
| Switching Relay             | –                               | –   | 2-1/2 (64)                       | 65 (419)  |

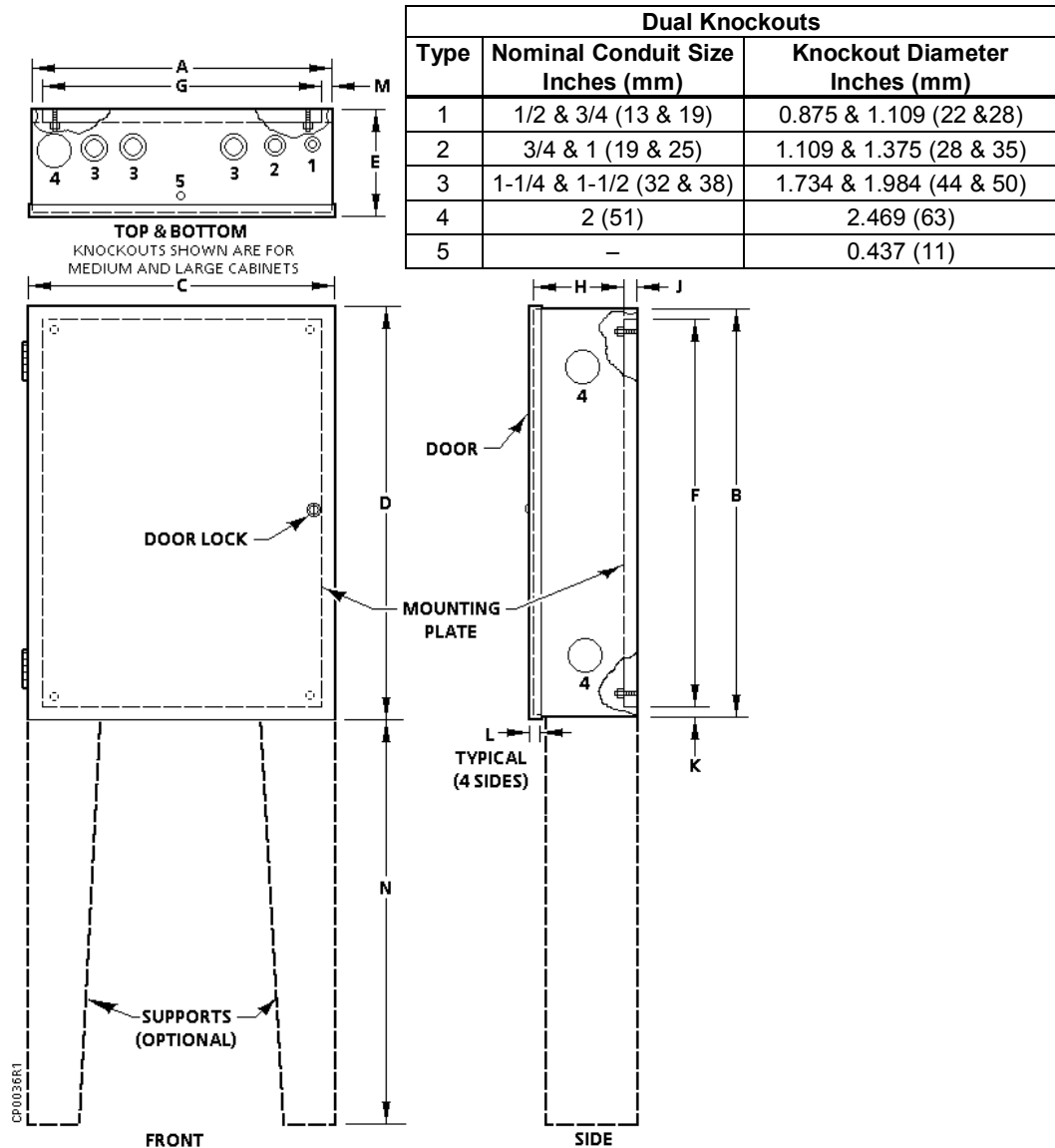
- NOTES:**
1. Normally not mounted inside of the cabinet.
  2. If mounted inside of the cabinet.
  3. Weights are given for door mounted devices only.



**Table 6. Usability.**

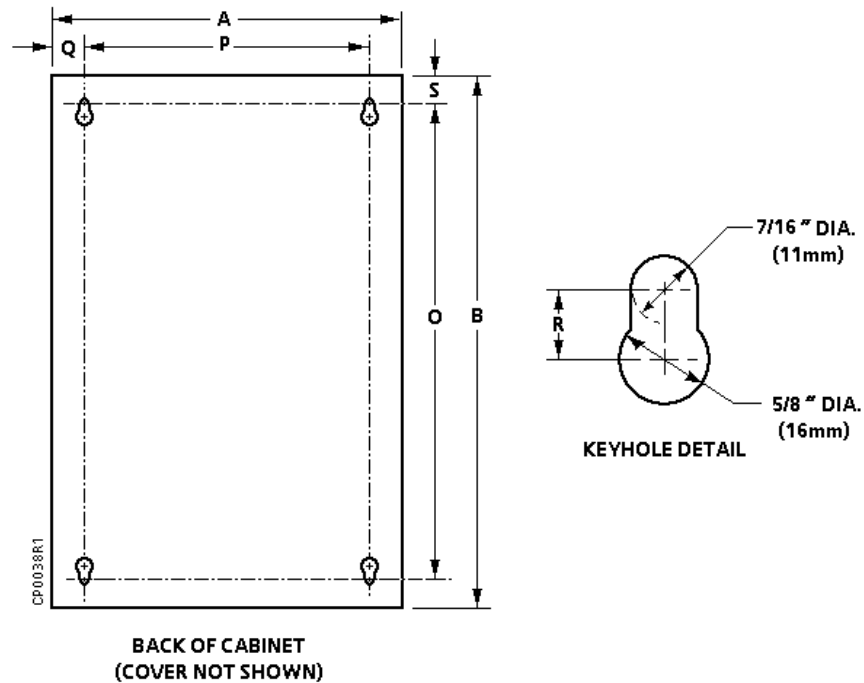
| Product Numbers    | Cabinet Enclosure | Inside Depth Door to Mounting Plate Inches (mm) | Maximum Usable Area Inches <sup>2</sup> (cm <sup>2</sup> ) | Maximum Number of RC-195 Per Cabinet |
|--------------------|-------------------|---|--|--------------------------------------|
| 567-351            | Size 1            | 5 (127)   | 172 (1109)   | 3                                    |
| 567-391            | Flush Mount       | 4-5/8 (117)                                     | 172 (1109)   | 3                                    |
| 567-454            | Size 2            | 5-1/2 (140)                                     | 227 (1465)   | 4                                    |
| 567-352<br>567-452 | Size 3            | 8-1/2 (216)<br>5-1/2 (140)                      | 380 (2451)   | 6                                    |
| 567-353<br>567-453 | Size 4            | 8-1/2 (216)<br>5-1/2 (140)                      | 615 (3967)   | 10                                   |

**Dimensions**



**Figure 4. Cabinet and Support Dimensions (See Table 5 and Figure 9).**

**Dimensions,  
 Continued**



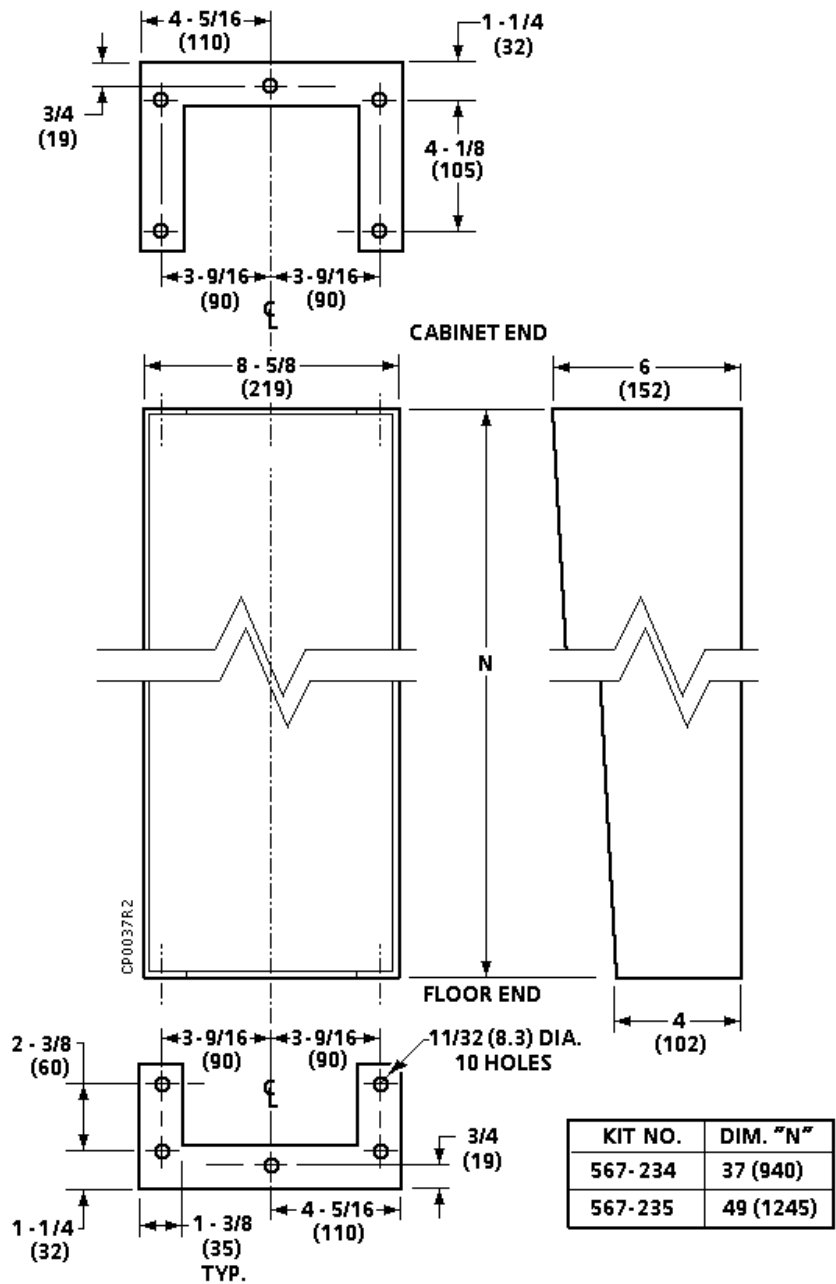
**Figure 5. Rear View of Cabinet (See Table 6).**

**Table 7. Cabinet Assembly Dimensions (See Figures 4, 5, and 6).**

| Cabinet Assembly     |        | Dimensions    |             |                  |                  |                         |                 |                 |                |                             |             |
|----------------------|--------|---------------|-------------|------------------|------------------|-------------------------|-----------------|-----------------|----------------|-----------------------------|-------------|
| Product Number       | Size   | Inches (mm)   |             |                  |                  |                         |                 |                 |                |                             |             |
|                      |        | A             | B           | C                | D                | E                       | F               | G               | H              | I                           | J           |
| 567-351              | Size 1 | 16<br>(406)   | 19<br>(483) | 16-3/8<br>(416)  | 19-1/2<br>(495)  | 5-3/4<br>(146)          | 14-1/2<br>(368) | 14-3/4<br>(375) | 5<br>(127)     | 5-11/16<br>(145)            | 1/2<br>(13) |
| 567-454              | Size 2 | 20<br>(508)   | 20<br>(508) | 20-5/16<br>(516) | 20-5/16<br>(516) | 6<br>(152)              | 19<br>(483)     | 15.25<br>(387)  | 5-3/8<br>(137) | 5-7/8<br>(149)              | 1/2<br>(13) |
| 567-352<br>[567-452] | Size 3 | 24<br>(610)   | 24<br>(610) | 24-3/8<br>(619)  | 24-5/16<br>(617) | 9-3/8(238)<br>[6 (152)] | 19-1/4<br>(489) | 23<br>(584)     | 8-1/2<br>(216) | 9-1/4(235)<br>[5-7/8 (149)] | 1/2<br>(13) |
| 567-353<br>[567-453] | Size 4 | 24<br>(610)   | 36<br>(914) | 24-3/8<br>(619)  | 36-1/2<br>(927)  | 9-3/8(238)<br>[6 (152)] | 31-1/2<br>(800) | 22<br>(559)     | 8-1/2<br>(216) | 9-1/4(235)<br>[5-7/8 (149)] | 1/2<br>(13) |
| Product Number       | Size   | K             | L           | M                | N                | O                       | P               | Q               | R              | S                           | -           |
| 567-351              | Size 1 | 2-1/4<br>(57) | 3/4<br>(19) | 5/8<br>(16)      | *                | 16-1/2<br>(419)         | 13-1/2<br>(343) | 1-1/4<br>(32)   | 1/2<br>(13)    | 1-1/4<br>(32)               | -           |
| 567-454              | Size 2 | 2-1/4<br>(57) | 3/4<br>(19) | 1/2<br>(13)      | -                | 17.5<br>(445)           | 12<br>(305)     | 4<br>(102)      | 1/2<br>(13)    | 1-1/4<br>(32)               | -           |
| 567-352<br>[567-452] | Size 3 | 2-1/4<br>(57) | 3/4<br>(19) | 1/2<br>(13)      | 49<br>(1245)     | 21<br>(533)             | 16<br>(406)     | 4<br>(102)      | 1/2<br>(13)    | 1-1/2<br>(38)               | -           |
| 567-353<br>[567-453] | Size 4 | 2-1/4<br>(57) | 3/4<br>(19) | 1<br>(25)        | 37<br>(940)      | 33-1/2<br>(851)         | 16-3/4<br>(425) | 3-5/8<br>(92)   | 1/2<br>(13)    | 1-1/4<br>(32)               | -           |

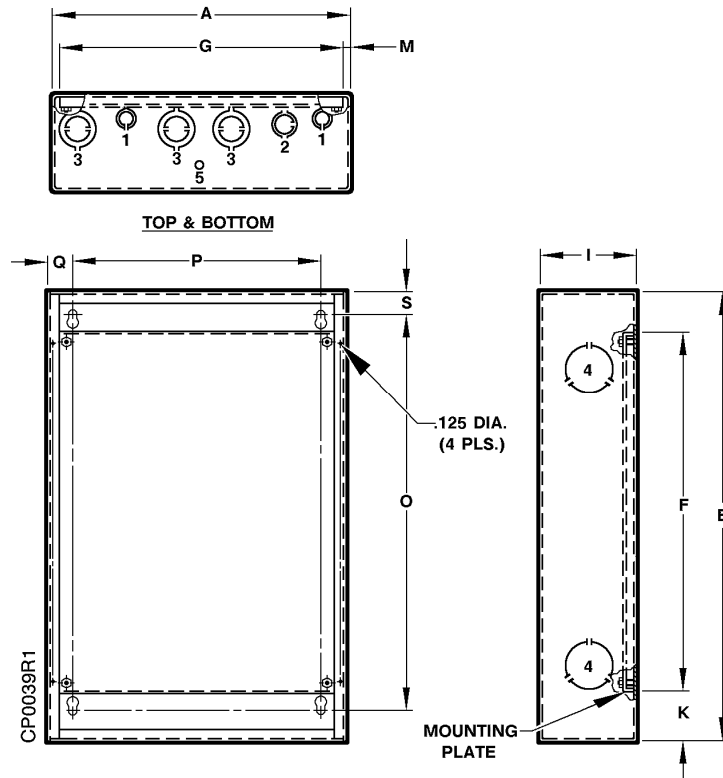
\* See Figure 6 for dimensions of "N"

**Dimensions,  
 Continued**

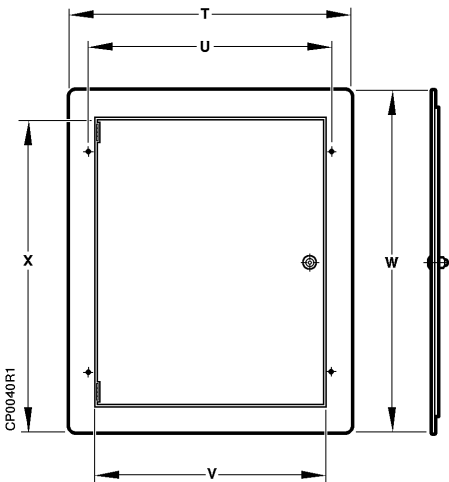


**Figure 6. Floor Mount Support Legs Kit.  
 Dimensions in Inches (mm).**

**Dimensions,  
 Continued**



**Figure 7. Flush Mount Cabinet Dimensions (See Table 7).**



**Figure 8. Flush Mount Door Dimensions  
 (See Table 7).**

**Table 8. Flush Mount Cabinet and Door Dimensions.**

| Dimensions in Inches (mm) |                 |                 |                 |                  |                 |                 |                 |
|---------------------------|-----------------|-----------------|-----------------|------------------|-----------------|-----------------|-----------------|
| A*                        | B*              | F               | G               | I                | K               | M               | O               |
| 16-1/8<br>(410)           | 19-1/2<br>(495) | 13-1/2<br>(343) | 14-3/4<br>(375) | 5-1/8<br>(130)   | 1-1/2<br>(38)   | 1-11/16<br>(43) | 16-1/2<br>(419) |
| P                         | Q               | S               | T*              | U                | V               | W*              | X               |
| 13-1/2<br>(343)           | 1-1/4<br>(32)   | 1-1/4<br>(32)   | 18<br>(457)     | 15-7/16<br>(392) | 14-3/4<br>(375) | 21-3/8<br>(543) | 18-1/8<br>(460) |

\* Cutout dimensions; make cutout at least the size of dimensions A and B (cabinet size) but no larger than T & W (door size).

Information in this publication is based on current specifications. The company reserves the right to make changes in specifications and models as design improvements are introduced. Powers is a trademark of Siemens Industry, Inc. Other product or company names mentioned herein may be the trademarks of their respective owners. © 2016 Siemens Industry, Inc.