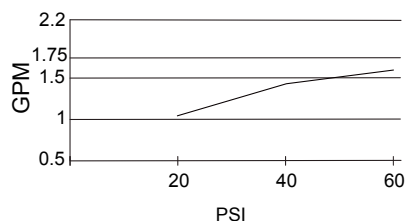


SPECIFICATIONS

OPULENCE™ SINGLE HANDLE PULL-DOWN KITCHEN FAUCET



Flow Rate



FEATURES

- Ceramic disc valve
- 18 1/8" high spout, 8 3/8" spout length
- 2 function spray/aerated stream
- w/SnapBack Retraction & Magnetic Docking
- Single hole mount with optional deck plate DA607955
- 1.75gpm (6.6 L/min) maximum flow rate @60 psi
- Meets CEC requirements

FINISHES AVAILABLE

- Chrome
- Stainless Steel(SS)
- Satin Black(BS)
- Tumbled Bronze(BR)

CODES/STANDARDS



NSF/ANSI 372

- NSF/ANSI 372

MEETS ASME
A112.18.1M/A112.18.1

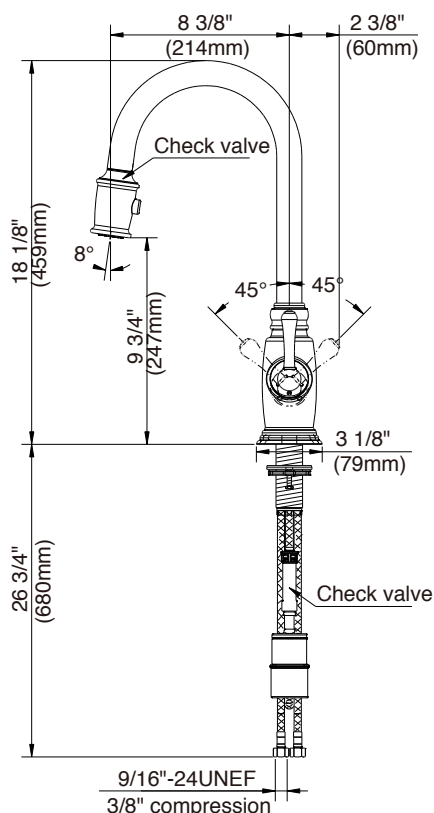
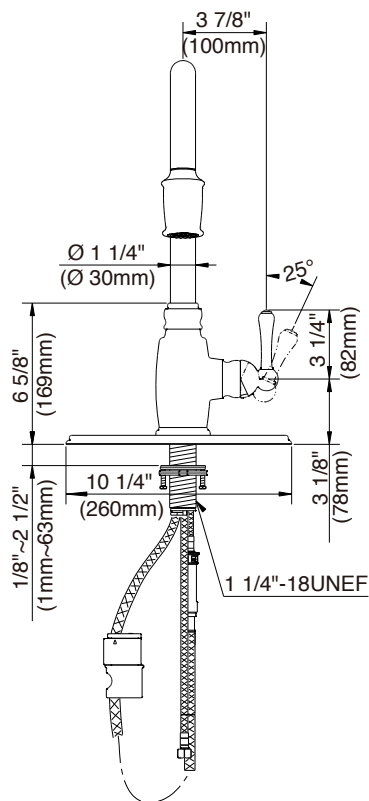
- ASME A112.18.1M/A112.18.1



- ADA Accessibility Guidelines for Buildings and Facilities - 309.4 Operation for Operable Parts

WARRANTY

Danze products are covered by a manufacturer's lifetime limited warranty for manufacturing defects.



Submittal Information:

Job Name: _____
Contractor: _____

Location: _____
Contact #: _____