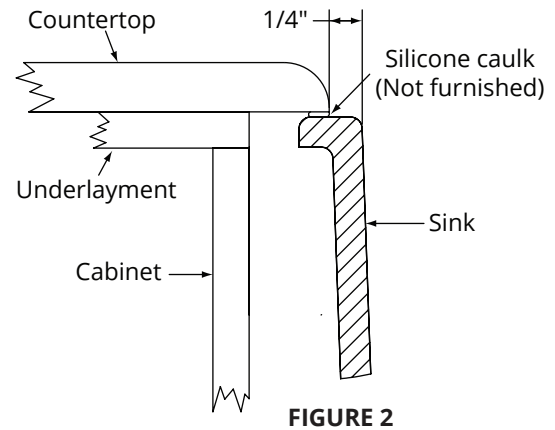
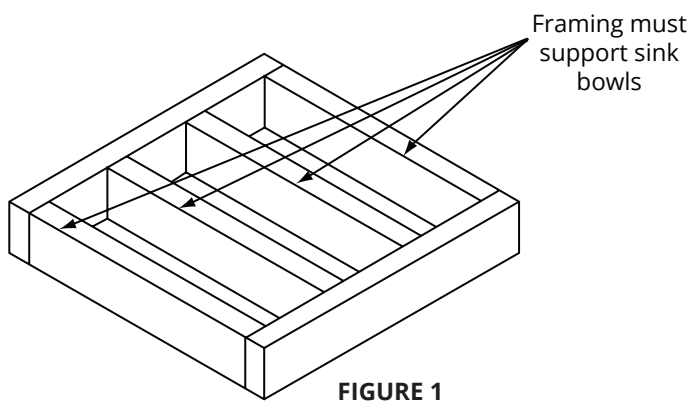


Attention Installer:

- Elkay recommends that Fireclay sinks be installed by a professional, experienced installer.
- **WARNING:** Due to the dimensional variation inherent in the fireclay manufacturing process, sink cutout templates are not provided. Elkay recommends using the actual sink for the countertop cutout.
- Elkay recommends providing the cabinet maker with the actual sink to be installed prior to cabinet fabrication.
- It is recommended that you discuss with your customer the desired finished appearance of the sink and countertop installation. Elkay is not responsible for improper sink and/or countertop installations.
- **WARNING:** The support frame and proper support for the sink must sufficiently support 300 lbs. This is the approximate weight of the sink when full and applies to both installations shown below.
- Elkay undermount sinks should only be fastened to a solid surface countertop (i.e. granite / Corian[®]).
- Elkay is not responsible for the sink or countertop if damaged during installation.
- Fireclay sinks are heavy, please arrange for assistance to move or position.
- Follow all local plumbing and building codes.
- Inspect sink for damage prior to beginning installation.

Farmhouse Undermount Sinks Only

- The Elkay fireclay farmhouse sinks are reversible by design offering you two options to select. The installation dimensions will be different depending on which farmhouse side you wish to see. The front and back walls of the sink are not the same thickness by design. IT IS CRITICAL THAT THE CABINET MAKER, COUNTERTOP FABRICATOR, AS WELL AS THE CABINET INSTALLER UNDERSTAND THE EXPECTATIONS OF THE CONSUMER.
- A custom sink base cabinet is required.
- Proper installation requires a coordinated effort including advanced dialog between the designer (or customer), the cabinet maker, the countertop fabricator and the sink installer during the design and installation phase.
- It is **required** that a support frame be constructed inside the cabinet for adequate support of the sink as shown in Figure 1.
- It is recommended that the sink countertop cutout provide a reveal into the sink bowl opening as shown in Figure 2.



Undermount Sinks Only

- It is **required** that a support frame be constructed inside the cabinet for adequate support of the sink as shown in Figure 1.
- It is recommended that the sink countertop cutout provide a 1/8 inch overhang into the sink bowl opening as shown in Figure 3. Do not reduce this 1/8 inch dimension since the bowl shape and overall size will have dimensional variation.

