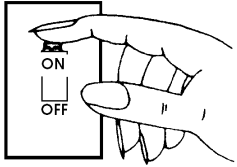


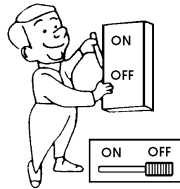
# INSTALLATION INSTRUCTIONS

READ IMPORTANT SAFETY TIPS BEFORE PROCEEDING WITH INSTALLATION

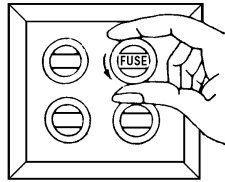
## SAFETY TIPS



Turn fixture off! (Place wall switch in off position, if fixture has built-in switch or chain pull, switch or pull chain so fixture is off.)

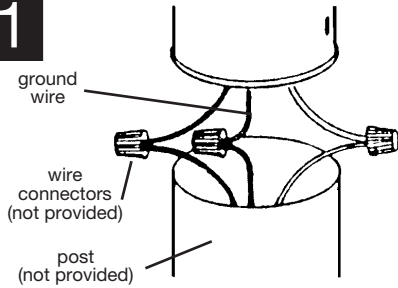


Next - go to the main fuse box. If your fuse box has an ON/OFF switch, simply place main power switch in OFF position



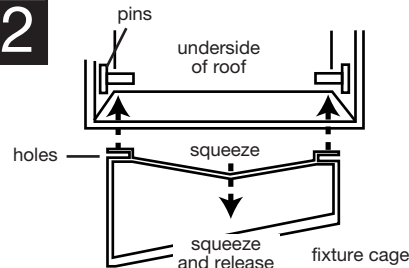
Screw-in type fuses - unscrew the fuse or fuses that control the power to the fixture or room you are working in.

1



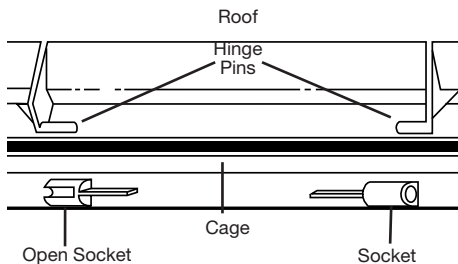
CONNECT THE WIRES. NOTE: Attach black fixture wire to black supply wire, white fixture wire to white supply wire. Do not mix them up. Use approved wire connectors (not provided). Connect bare fixture ground wire to ground wire from outlet box. NEVER CONNECT GROUND WIRE TO BLACK OR WHITE POWER SUPPLY WIRES.

2



ATTACH FIXTURE ROOF TO FIXTURE CAGE. Squeeze cage as shown. Position holes on side of cage over corresponding pins on underside of roof. Release cage - pins will snap into position.

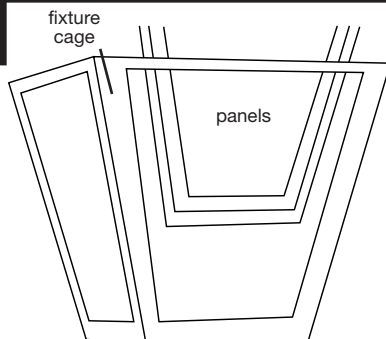
TYPE A



ATTACH FIXTURE ROOF TO FIXTURE CAGE. Slip one hinge pin on roof into hole in socket on cage and snap other hinge pin into open socket.

TYPE B

3

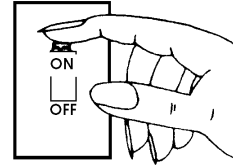


BEFORE SNAPPING HOUSING SHUT, install plastic panels, textured or beveled side out, by sliding panels down cage in slots on inside of cage. Make sure panels are all the way down into seats in cage. Some panels may fit tighter than others and a moderate amount of force may be required to install.

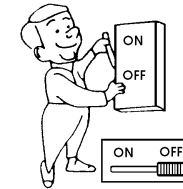
# INSTALLATION INSTRUCTIONS

READ IMPORTANT SAFETY TIPS BEFORE PROCEEDING WITH INSTALLATION

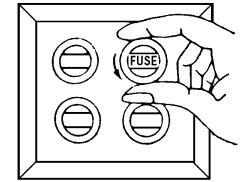
## SAFETY TIPS



Turn fixture off! (Place wall switch in off position, if fixture has built-in switch or chain pull, switch or pull chain so fixture is off.)

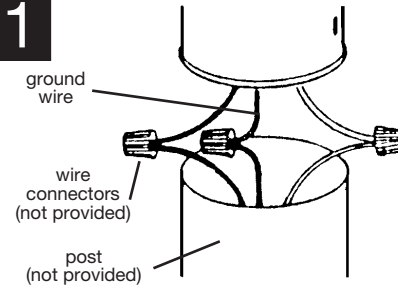


Next - go to the main fuse box. If your fuse box has an ON/OFF switch, simply place main power switch in OFF position



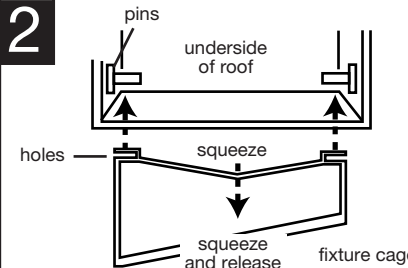
Screw-in type fuses - unscrew the fuse or fuses that control the power to the fixture or room you are working in.

1



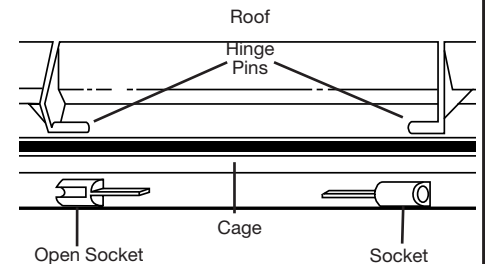
CONNECT THE WIRES. NOTE: Attach black fixture wire to black supply wire, white fixture wire to white supply wire. Do not mix them up. Use approved wire connectors (not provided). Connect bare fixture ground wire to ground wire from outlet box. NEVER CONNECT GROUND WIRE TO BLACK OR WHITE POWER SUPPLY WIRES.

2



ATTACH FIXTURE ROOF TO FIXTURE CAGE. Squeeze cage as shown. Position holes on side of cage over corresponding pins on underside of roof. Release cage - pins will snap into position.

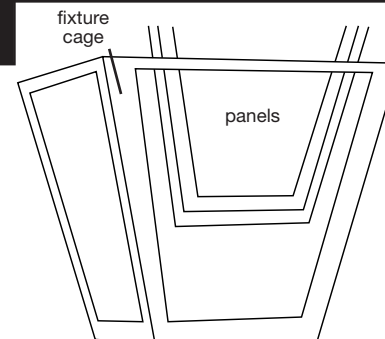
TYPE A



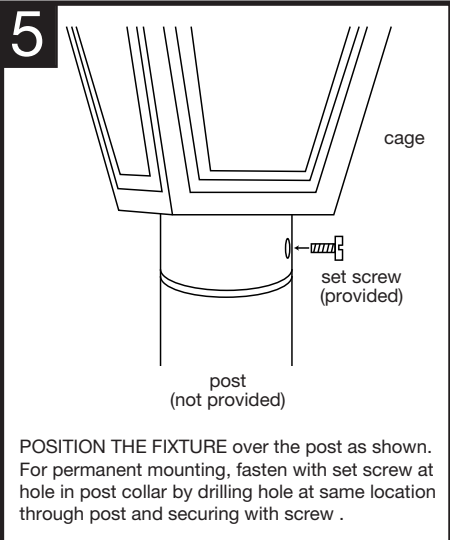
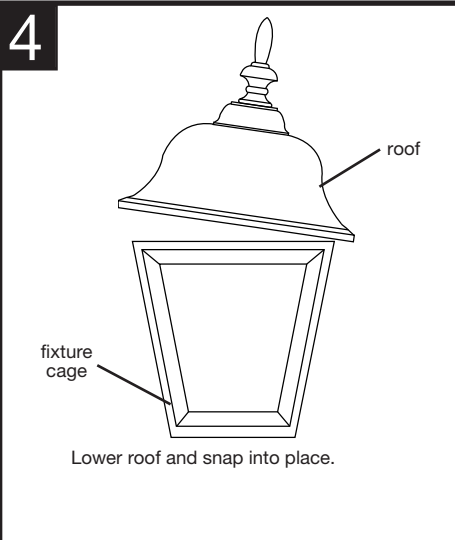
ATTACH FIXTURE ROOF TO FIXTURE CAGE. Slip one hinge pin on roof into hole in socket on cage and snap other hinge pin into open socket.

TYPE B

3



BEFORE SNAPPING HOUSING SHUT, install plastic panels, textured or beveled side out, by sliding panels down cage in slots on inside of cage. Make sure panels are all the way down into seats in cage. Some panels may fit tighter than others and a moderate amount of force may be required to install.



**CAUTION: Do not turn on without diffuser installed. Do not touch LEDs or circuit board. LED optics could be damaged. No lamp replacement required! Integral LED light engine supplied. Do not remove protective cover from LED light engine.**

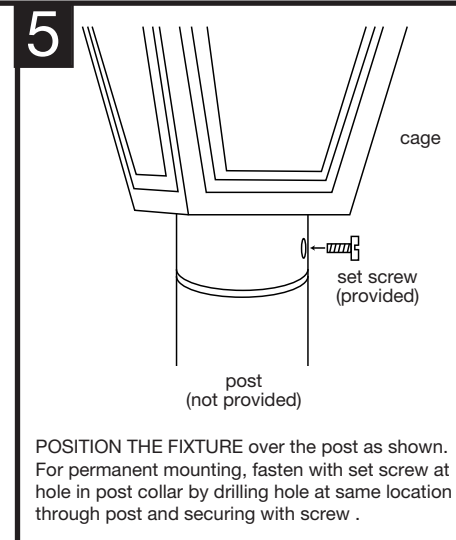
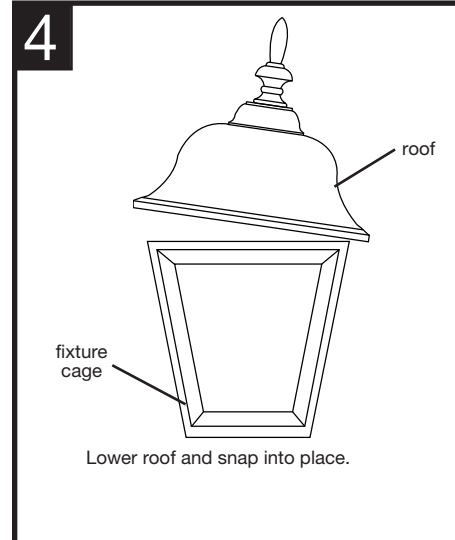
**FIVE YEAR (60 MONTH) LIMITED WARRANTY**

Inter-Global warrants this lighting fixture to be free from defects in material and workmanship for a period of five (5) years from the date of purchase and agrees, at its option, to repair or replace any defective product without charge. **IMPORTANT: THIS WARRANTY DOES NOT COVER ANY DAMAGE RESULTING FROM ACCIDENT, MISUSE OR ABUSE, ABNORMAL USAGE, FAULTY INSTALLATION, NON-RESIDENTIAL USE, NEGLIGENCE, DAMAGE IN TRANSIT, OR REPAIR OR ALTERATIONS TO THE PRODUCT, IMPROPER MAINTENANCE, OR ANY CAUSE, OTHER THAN OUR DEFECTIVE MATERIAL OR WORKMANSHIP.**

For warranty service, call Inter-Global at 800-325-7364 to request RGA.  
 NOTE: Inter-Global shall not be liable for any special, incidental, or consequential damages arising out of or in connection with the use, manufacture, design, sale, or performance of its products. No other warranties, express or implied, written or oral are authorized by Inter-Global. **ALL IMPLIED WARRANTIES, INCLUDING THE WARRANTIES OF MERCHANTABILITY AND FITNESS FOR A PARTICULAR PURPOSE SHALL BE LIMITED IN DURATION FOR A PERIOD OF 60 MONTHS FROM THE ORIGINAL DATE OF PURCHASE.** Seller shall in no event be liable for any breach of warranty in an amount that exceeds the price of the specific product.  
 This warranty gives you specific legal rights. You may also have other rights which vary from state to state. Some states do not allow the exclusion or limitation of incidental or consequential damages or the limitation on the duration of how long an implied warranty lasts, so the above exclusions and limitations may not apply to you.  
 Inter-Global takes pride in this production and we hope that it brings you many years of enjoyment. If you have comments, please call 800-325-7364.



CLEAN ONLY WITH MILD SOAP AND WATER. AVOID SPRAYING WITH CLEANSERS, INSECTICIDES, AND PESTICIDES THAT ARE PETROLEUM BASED HYDROCARBON PRODUCTS. THESE WILL DEGRADE THE LUMINAIRE.



**CAUTION: Do not turn on without diffuser installed. Do not touch LEDs or circuit board. LED optics could be damaged. No lamp replacement required! Integral LED light engine supplied. Do not remove protective cover from LED light engine.**

**FIVE YEAR (60 MONTH) LIMITED WARRANTY**

Inter-Global warrants this lighting fixture to be free from defects in material and workmanship for a period of five (5) years from the date of purchase and agrees, at its option, to repair or replace any defective product without charge. **IMPORTANT: THIS WARRANTY DOES NOT COVER ANY DAMAGE RESULTING FROM ACCIDENT, MISUSE OR ABUSE, ABNORMAL USAGE, FAULTY INSTALLATION, NON-RESIDENTIAL USE, NEGLIGENCE, DAMAGE IN TRANSIT, OR REPAIR OR ALTERATIONS TO THE PRODUCT, IMPROPER MAINTENANCE, OR ANY CAUSE, OTHER THAN OUR DEFECTIVE MATERIAL OR WORKMANSHIP.**

For warranty service, call Inter-Global at 800-325-7364 to request RGA.  
 NOTE: Inter-Global shall not be liable for any special, incidental, or consequential damages arising out of or in connection with the use, manufacture, design, sale, or performance of its products. No other warranties, express or implied, written or oral are authorized by Inter-Global. **ALL IMPLIED WARRANTIES, INCLUDING THE WARRANTIES OF MERCHANTABILITY AND FITNESS FOR A PARTICULAR PURPOSE SHALL BE LIMITED IN DURATION FOR A PERIOD OF 60 MONTHS FROM THE ORIGINAL DATE OF PURCHASE.** Seller shall in no event be liable for any breach of warranty in an amount that exceeds the price of the specific product.  
 This warranty gives you specific legal rights. You may also have other rights which vary from state to state. Some states do not allow the exclusion or limitation of incidental or consequential damages or the limitation on the duration of how long an implied warranty lasts, so the above exclusions and limitations may not apply to you.  
 Inter-Global takes pride in this production and we hope that it brings you many years of enjoyment. If you have comments, please call 800-325-7364.



CLEAN ONLY WITH MILD SOAP AND WATER. AVOID SPRAYING WITH CLEANSERS, INSECTICIDES, AND PESTICIDES THAT ARE PETROLEUM BASED HYDROCARBON PRODUCTS. THESE WILL DEGRADE THE LUMINAIRE.