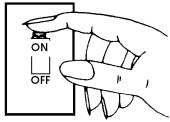


INSTALLATION INSTRUCTIONS

READ IMPORTANT SAFETY TIPS BEFORE PROCEEDING WITH INSTALLATION

SAFETY TIPS

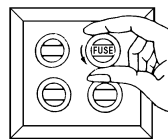


Turn fixture off! (Place wall switch in off position, if fixture has built-in switch or chain pull, switch or pull chain so fixture is off.)



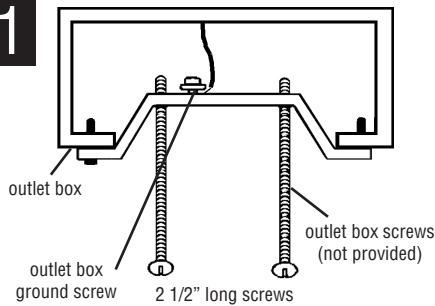
Next - go to the main fuse box. If your fuse box has an ON/OFF switch, simply place main power switch in OFF position.

OR



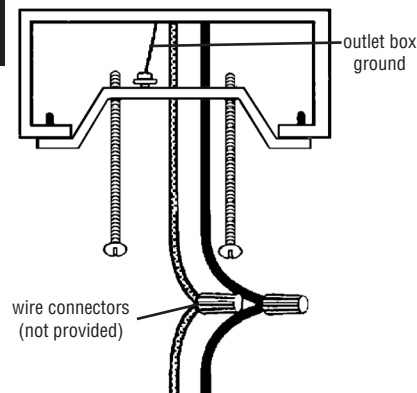
Screw-in type fuses - unscrew the fuse or fuses that control the power to the fixture or room you are working in.

1



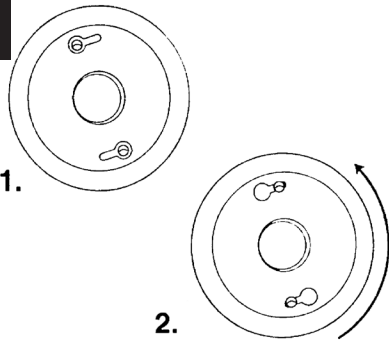
Screw green ground screw into threaded hole on cross bar between dimples. Do not tighten. Form a loop in ground wire from outlet box and ground wire from fixture. Place loops under head of ground screw and tighten. Insert outlet box screws (not provided) through oval slots in cross bar and attach to outlet box. Screw 2 1/2" long screws into the outer most threaded holes.

2



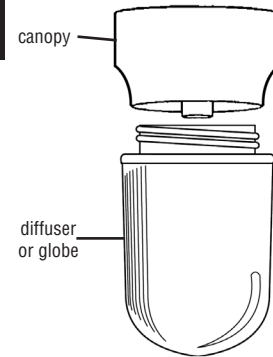
CONNECT THE WIRES. NOTE: Attach black fixture wire to black supply wire, white fixture wire to white supply wire. Do not mix them up. Use approved wire connectors (not provided).

3



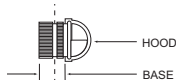
INSTALL canopy to ceiling. Push fixture wire into outlet box. Align head of mounting screws with large end of key hole slots, push canopy towards ceiling. Rotate canopy counter-clockwise and tighten screws.

4



Insert light bulb into socket. Be sure to use bulb with wattage no greater than specified for this fixture. Thread diffuser into canopy.

This fixture may have an integral photo sensor that turns the fixture off during the day and on at night. The photo sensor is not adjustable. The fixture could possibly cycle on and off due to light reflected from near by surfaces into the photo sensor. If cycling occurs, remove the photo sensor nut and install the swivel hood and base.



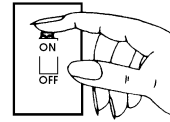
The hood and base is adjustable. Hood can be rotated and base can be cut along dotted line to reduce overall length. Check operation before cutting the base.

Clean only with mild soap and water. Avoid spraying with cleaners, insecticides, and pesticides that are petroleum based hydrocarbon products. These will degrade luminaire.

INSTALLATION INSTRUCTIONS

READ IMPORTANT SAFETY TIPS BEFORE PROCEEDING WITH INSTALLATION

SAFETY TIPS

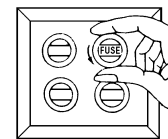


Turn fixture off! (Place wall switch in off position, if fixture has built-in switch or chain pull, switch or pull chain so fixture is off.)



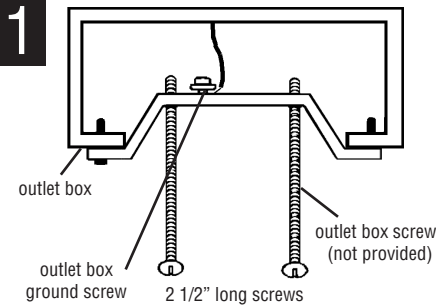
Next - go to the main fuse box. If your fuse box has an ON/OFF switch, simply place main power switch in OFF position.

OR



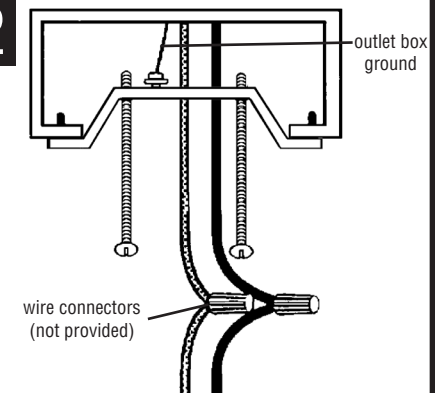
Screw-in type fuses - unscrew the fuse or fuses that control the power to the fixture or room you are working in.

1



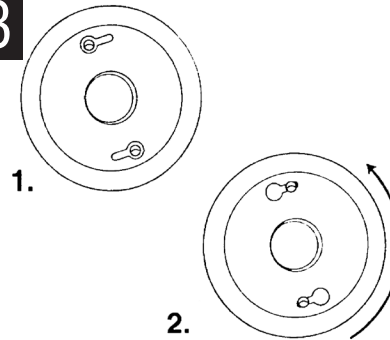
Screw green ground screw into threaded hole on cross bar between dimples. Do not tighten. Form a loop in ground wire from outlet box and ground wire from fixture. Place loops under head of ground screw and tighten. Insert outlet box screws (not provided) through oval slots in cross bar and attach to outlet box. Screw 2 1/2" long screws into the outer most threaded holes.

2



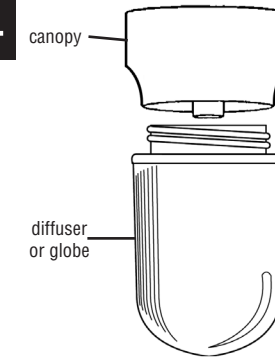
CONNECT THE WIRES. NOTE: Attach black fixture wire to black supply wire, white fixture wire to white supply wire. Do not mix them up. Use approved wire connectors (not provided).

3



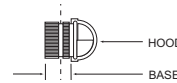
INSTALL canopy to ceiling. Push fixture wire into outlet box. Align head of mounting screws with large end of key hole slots, push canopy towards ceiling. Rotate canopy counter-clockwise and tighten screws.

4



Insert light bulb into socket. Be sure to use bulb with wattage no greater than specified for this fixture. Thread diffuser into canopy.

This fixture may have an integral photo sensor that turns the fixture off during the day and on at night. The photo sensor is not adjustable. The fixture could possibly cycle on and off due to light reflected from near by surfaces into the photo sensor. If cycling occurs, remove the photo sensor nut and install the swivel hood and base.



The hood and base is adjustable. Hood can be rotated and base can be cut along dotted line to reduce overall length. Check operation before cutting the base.

Clean only with mild soap and water. Avoid spraying with cleaners, insecticides, and pesticides that are petroleum based hydrocarbon products. These will degrade luminaire.