

Features

- No internal linkages, reducing the chance of clogs in the overflow pipe.
- Swivel-ball joint construction for easy installation.
- Includes toe-activated closing, and brass tee and pipe.
- For use with Elevance™, Archer™, Underscore®, Rêve™, and Parity™ baths and whirlpools.

Material

- Solid-brass construction.
- KOHLER finishes resist corrosion and tarnishing.

Installation

- Above- or through-the-floor.



Codes/Standards

ASME A112.18.2/CSA B125.2

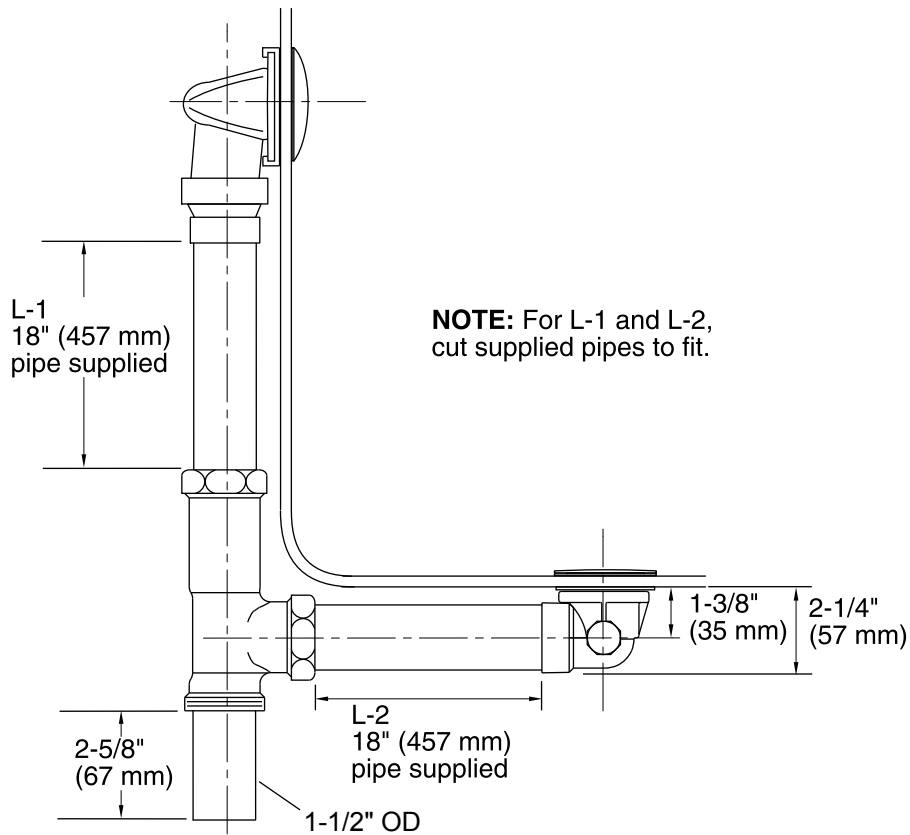
KOHLER® Faucet Lifetime Limited Warranty

See website for detailed warranty information.

Available Color/Finishes

Color tiles intended for reference only.

| Color | Code | Description |
|--------------------------------------------------------------------------------------|------|--------------------------|
|  | CP | Polished Chrome |
|  | SN | Vibrant® Polished Nickel |
|  | AF | Vibrant® French Gold |
|  | PB | Vibrant® Polished Brass |
|  | G | Brushed Chrome |
|  | BN | Vibrant® Brushed Nickel |
|  | BV | Vibrant® Brushed Bronze |
|  | 2BZ | Oil-Rubbed Bronze |
| | RGD | |
|  | TT | Titanium |
|  | VNT | Vintage Nickel |



Technical Information

All product dimensions are nominal.