

Features

- Single lever handle allows for both on/off activation and temperature setting.
- KOHLER ceramic disc valves exceed industry longevity standards over two times for a lifetime of durable performance.
- Leak free ceramic disc valve allows both volume and temperature control.
- Temperature memory allows faucet to be turned on and off at any temperature setting.
- High-temperature limit setting for added safety.
- Includes metal pop-up drain with 1-1/4-inch metal tailpiece.
- 1.2 gal/min (4.5 l/min) maximum flow rate [max at 60 psi (4.1 bar)]
- Red/blue indexing on handle.

Material

- Premium metal construction.
- KOHLER finishes resist corrosion and tarnishing.

Installation

- Single-hole.
- Flexible supplies for simplified installation.



ADA **CSA B651** **OBC**

Codes/Standards

ASME A112.18.1/CSA B125.1
NSF 61
NSF 372
All applicable US Federal and State material regulations
DOE - Energy Policy Act 1992
EPA WaterSense®
California Energy Commission (CEC)
ADA
ICC/ANSI A117.1
CSA B651
OBC

KOHLER® Faucet Lifetime Limited Warranty

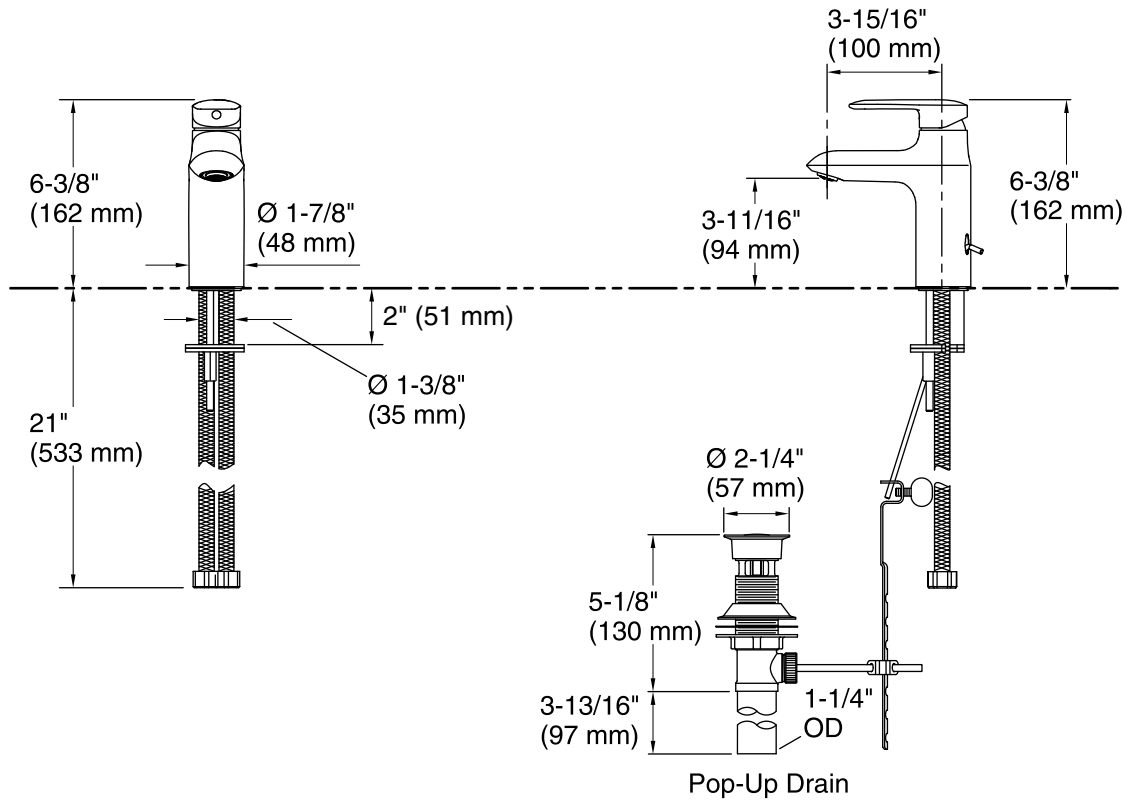
See website for detailed warranty information.

Available Color/Finishes

Color tiles intended for reference only.

Color Code Description

 CP Polished Chrome



Technical Information

All product dimensions are nominal.

Drain included: YES

Drain with overflow: YES

Drain tailpiece included: YES

included:

Spout:

Spout reach: 3-15/16" (100 mm)

Faucet:

Flow rate: 1.2 gal/min (4.5 l/min)

Pressure: 60 psi (4.1 bar)

Notes

Install this product according to the installation instructions.

ADA, OBC, CSA B651 compliant when installed to the specific requirements of these regulations.