

## Shower Arm and Flange

### FEATURES:

- Arm measures 6" in length
- Brass arm and metal flange construction
- 1/2" -14 NPTM connections
- Corrosion resistant finishes
- Ceiling-mounted installation
- Coordinates with rain shower heads from either the Neo or Kubos Collection

### STOCK FINISHES:

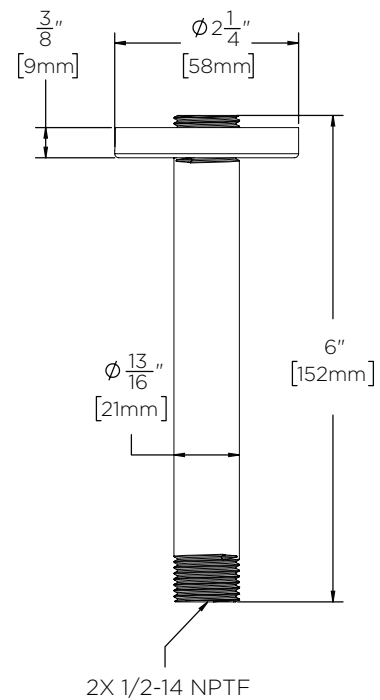


PC BN MB

### WARRANTY:

Visit [www.speakman.com](http://www.speakman.com) for full product warranty information

- Limited Lifetime Warranty (consumer)
- 1 Year Limited Warranty (commercial)



All dimensions are in inches (millimeters) unless otherwise specified and are subject to change without notice.

Architect/Engineer Approval Space:

P: 800-537-2107  
 F: 800-977-2747  
 W: WWW.SPEAKMAN.COM  
 R: 03-NOVEMBER 2019