

1.1 Description

1. The Baxi Duo-tec 2 Combi GA Range are fully automatic gas fired wall mounted condensing combination boilers. It is room sealed and fan assisted, and will serve central heating and mains fed domestic hot water.

2. The boiler is set to give a maximum output of :-

- 24 models - 24 kW DHW
21.2 kW CH (Condensing)
- 28 models - 28 kW DHW
25.3 kW CH (Condensing)
- 33 models - 33 kW DHW
29.6 kW CH (Condensing)
- 40 models - 40 kW DHW
33.8 kW CH (Condensing)

3. The boiler is factory set for use on Natural Gas (G20). It can be converted to operate on Propane (G31) - see Section 10.1 'Gas Type Check'.

4. The boiler is suitable for use only on fully pumped sealed heating systems. Priority is given to domestic hot water.

5. The boiler data badge gives details of the model, serial number and Gas Council number and is situated on the inner door panel. It is visible when the case front panel is removed (Fig. 2).

6. The boiler model, serial number and Gas Council number are also shown on the information label behind the boiler control flap (Fig. 1). This is for user reference.

7. The boiler is intended to be installed in residential / commercial / light industrial E.M.C. environments on a governed meter supply only.

8. The boiler must be installed with one of the purpose designed flues such as one of the standard horizontal telescopic flue kits detailed in the Flue Installation Guide.

9. **All systems must be thoroughly cleansed, flushed and treated with inhibitor (see section 6.2).**

1.2 Optional Extras

Various timers, external controls, etc. are available as optional extras. Full details are contained in the relevant sales literature.

1.3 Contents of Pack

The pack contains:-

- Boiler
- Wall Plate inc. Taps
- Template
- Fittings & Literature Pack

NOTE: These Installation & Servicing Instructions MUST be read in conjunction with the Flue Installation Guide supplied in the Literature Pack.

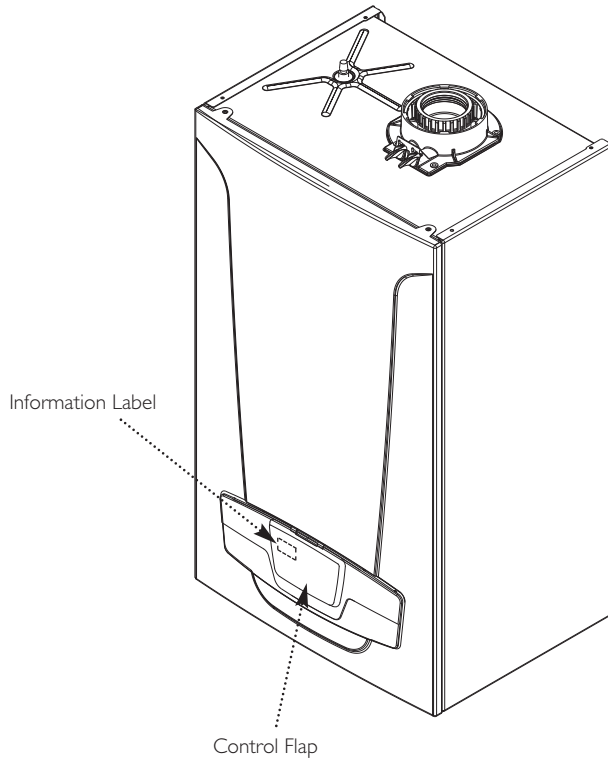


Fig. 1

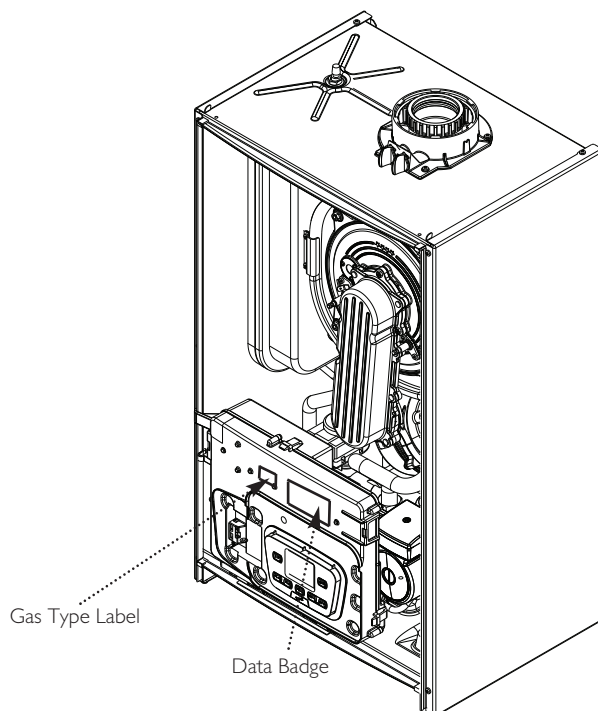


Fig. 2