

PROVINCETOWN TUB SPOUT WITH DIVERTER

SKU: 949098
Code: SHTS80



FEATURES

Material: Metal
Connection Type: 1/2" CTS Slip-Fit
Faucet Centers: Single-Hole

ASME A112.18.1/CSA B125.1, CEC Listed, Massachusetts Accepted, LISTED ID: SHTS80*



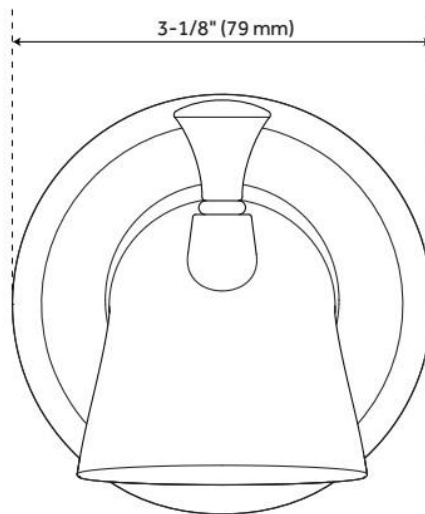
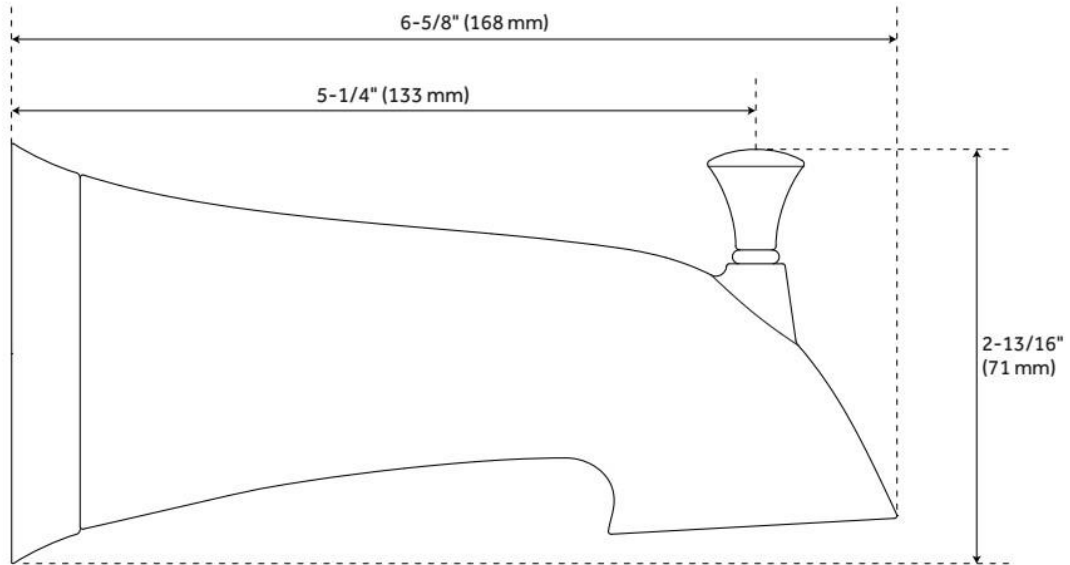
ADDITIONAL FEATURES

- 1/2" Slip fit connection.

REVISED 5/24/2024

PROVINCETOWN TUB SPOUT WITH DIVERTER

SKU: 949098
Code: SHTS80



REVISED 5/24/2024