



**SPACESAVER™**

BY  
**minkaAire®**  
A Minka Group® Co.

INSTRUCTION MANUAL WARRANTY CERTIFICATE

©2017 Minka Lighting Inc. Manual design and all elements of manual design are protected by United States Federal and/or State Law including Patents, Trademark, and/or Copyright Laws.



The Minka-Aire® warranty is for one (1) year from the date of purchase from an authorized Minka-Aire® dealer. This warranty is only valid to the original purchaser or user against all defects in material and workmanship (light bulbs excluded) for one (1) full year. Additionally, Minka-Aire® warrants the motor only for the lifetime of the Minka Aire ceiling fan (excluding wall controls and electrical components), to the original purchaser or user.

- \* The warranty is voided with the use of any non- Minka-Aire® electrical devices, E.g., wall controls or electrical dimmer switches, etc...
- \* The warranty is void once the original purchaser or user ceases to own the fan or the fan is moved from its original point of installation.
- \* The warranty is void with the use of any hanger bracket (non-Minka Aire or non-fan specific) other than the hanger bracket supplied & installed with this specific fan.

## Warranty Service Information

To obtain warranty service during the warranty period, the purchaser should return the fan with the sales receipt to the original place of purchase. The authorized Minka-Aire® dealer, at its sole discretion, will either repair or replace the fan after verifying the legitimacy of the warranty claim. Replacement is subject to availability of the same model. If the model is unavailable it will be replaced by one of equal value. This is a limited warranty; the original purchaser or user is responsible for the cost of removal and reinstallation of repaired or replacement product.

To obtain the name of the Minka-Aire® authorized dealer nearest you call the Minka-Aire® customer care department at 1-800-307-3267, or contact Minka-Aire® through [www.minkagroup.net](http://www.minkagroup.net) and select FAQ to answer any questions or if you require additional assistance submit the question form found there.

Date Purchased \_\_\_\_\_ Store Purchased \_\_\_\_\_ Model Number F510L Serial Number \_\_\_\_\_

# CONTENTS

SAFETY RULES.....	1	ATTACHING THE FAN BLADES.....	8
PACKAGE CONTENTS.....	2	INSTALLING THE MOUNTING PLATE.....	9
INSTALLING THE FAN.....	3	INSTALLING THE LED LIGHT KIT.....	10
HANGING THE FAN.....	4	INSTALLING THE GLASS SHADE .....	11
ELECTRICAL CONNECTIONS.....	5	OPERATING YOUR FAN.....	12
INSTALLING THE WALL CONTROL.....	6	CARE OF YOUR FAN.....	13
FINISHING THE INSTALLATION.....	7	TROUBLESHOOTING.....	14
		SPECIFICATIONS.....	15



1151 W. Bradford Court, Corona, CA 92882 • For Customer Assistance Call: 1-800-307-3267



# 1

## ***SAFETY RULES***

1. Before you begin installing the fan, shut power off at the circuit breaker of the fuse box.
2. Be cautious! Read all instructions and safety information before installing your new fan. Review accompanying assembly diagrams.
3. Make sure that all electrical connections comply with local codes, ordinances, or National Electrical Codes. Hire a qualified electrician or consult a do-it-yourself wiring handbook if you are unfamiliar with installing electrical wiring.
4. Make sure the installation site you choose allows the fan blades to rotate without any obstructions. Allow a minimum clearance of 7 feet from the floor and 18 inches from the tip of the blades to the wall.
5. If you are mounting the fan to a ceiling fan outlet box, use a U.L. Listed metal octagonal outlet box marked "Acceptable for Fan Support". Secure the box directly to the building structure. The outlet box and its support must be able to support the moving weight of the fan (at least 50 pounds) Do not use a plastic box.
6. Caution: To reduce the risk of injury use only the screws provided with the outlet box in conjunction with the lock washers provided with the fan.
7. If you are mounting the fan to a joist, make sure it is able to support the moving weight of the fan (at least 50 pounds).
8. After you install the fan, make sure that all mounting components are secured to prevent the fan from falling.
9. Do not insert anything into the fan blades while the fan is operating.
10. Turn the fan off and wait for the blades to stop completely before performing any maintenance or cleaning.

**NOTE:** The important safeguards and instructions appearing in this manual are not meant to cover all possible conditions and situations that may occur. It must be understood that common sense, caution and care are factors which can not be built into this product. These factors must be supplied by the person (s) installing, caring for and operating the unit.

**NOTE: READ AND SAVE ALL INSTRUCTIONS!**

## **WARNING**

**TO REDUCE THE RISK OF FIRE, ELECTRIC SHOCK OR OTHER PERSONAL INJURY, MOUNT FAN ONLY TO A U.L. LISTED OUTLET BOX OR SUPPORTING SYSTEM MARKED ACCEPTABLE FOR FAN SUPPORT AND USE MOUNTING SCREWS PROVIDED WITH THE OUTLET BOX IN CONJUNCTION WITH THE LOCK WASHERS PROVIDED WITH THE FAN. MOST OUTLET BOXES COMMONLY USED FOR FAN SUPPORT OF LIGHTING FIXTURES ARE NOT ACCEPTABLE FOR FAN SUPPORT AND NEED TO BE REPLACED. CONSULT A QUALIFIED ELECTRICIAN IF IN DOUBT.**

**TO REDUCE THE RISK OF PERSONAL INJURY, DO NOT BEND THE BLADE HOLDERS WHILE INSTALLING, BALANCING THE BLADES OR CLEANING THE FAN. DO NOT INSERT FOREIGN OBJECTS BETWEEN ROTATING FAN BLADES.**

**TO REDUCE THE RISK OF FIRE OR ELECTRONIC SHOCK, THIS FAN ONLY CAN USE UC9031 SOLID-STATE SPEED CONTROL ONLY.**

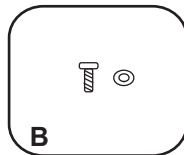
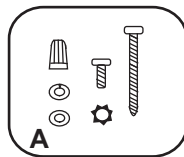
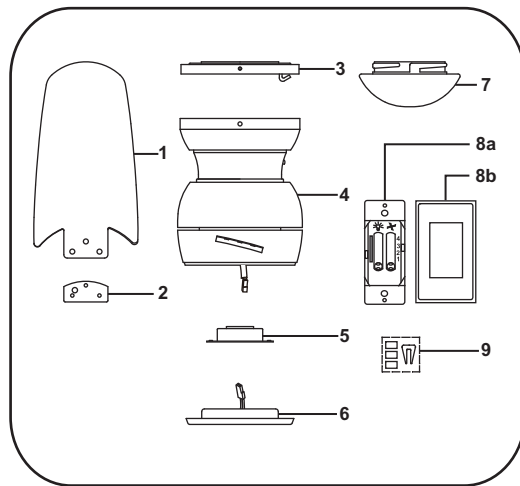
2

## PACKAGE CONTENTS

Unpack your fan and check the contents. You should have the following items:

1. Fan blades (3)
2. Blade support plates (3)
3. Mounting bracket
4. Fan motor/housing assembly
5. Mounting plate
6. 15W LED light kit
7. Glass shade
- 8a. Wall control incl. 2 mounting screws and 4 wire nuts
- 8b. Wall plate w/2 mounting screws
9. Balancing kit

- A. Mounting hardware:  
#10 x 1.5" Wood screws (2 PCs.)  
#8 x 3/4" Machine screws (2 PCs.)  
Lock washers (2 PCs.)  
4mm star washers (2 PCs.)  
Wire nuts (3 PCs.)  
Washers (2 PCs.)
- B. Blade attachment hardware:  
3/16" x 15mm screws (10 PCs.)  
Rubber washers (10 PCs.)





Tools Required: Phillips screw driver; slotted screw driver; step-ladder; wire cutters; electrical tape.

## MOUNTING OPTIONS

If there isn't an existing mounting box, then read the following instructions. Disconnect the power by removing fuses or turning off circuit breakers.

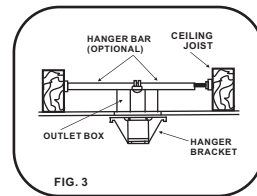
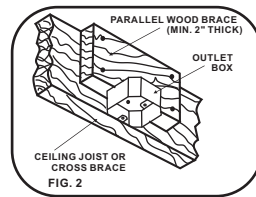
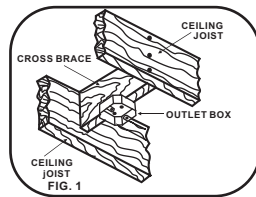
Secure the outlet box directly to the building structure. Use appropriate fasteners and building materials. The outlet box and its support must be able to fully support the moving weight of the fan (at least 50 lbs.). Use a UL Listed metal outlet box. Do not use a plastic outlet box.

Figure 1 and 2 are examples of different ways to mount the outlet box.

To hang your fan where there is an existing fixture but no ceiling joist, you may need to install a hanger bar as shown in Fig. 3 (available at your Minka-Aire® dealer).

## INSTALLING THE FAN

3



# 4

## HANGING THE FAN

**WARNING:** All of the parts, hardware and components such as the hanger bracket and hanger ball have been provided for your safety and the proper installation of your new ceiling fan. The use of other parts, hardware or components not supplied by Minka Aire® with the fan will void the Minka Aire® Warranty.

**REMEMBER** to turn off the power. Follow the steps below to hang your fan properly:

**Step 1.** Attach the mounting bracket to the outlet box with two screws and washers provided with the outlet box. Make sure the bracket is tight and secured (Fig. 4).

**Step 2.** Lift fan into position by hanging the motor assembly onto the hook from the ceiling mounting bracket allowing it to hang freely (Fig. 5).

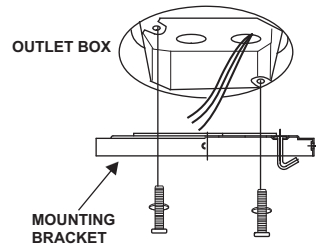


Fig. 4

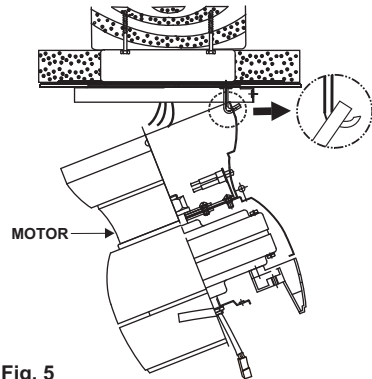


Fig. 5

## ***ELECTRICAL CONNECTIONS***

Follow the steps below to connect the fan to your house supply wires. Use the wire nuts supplied with your fan. Secure the wire nuts by wrapping the connection with electrical tape.

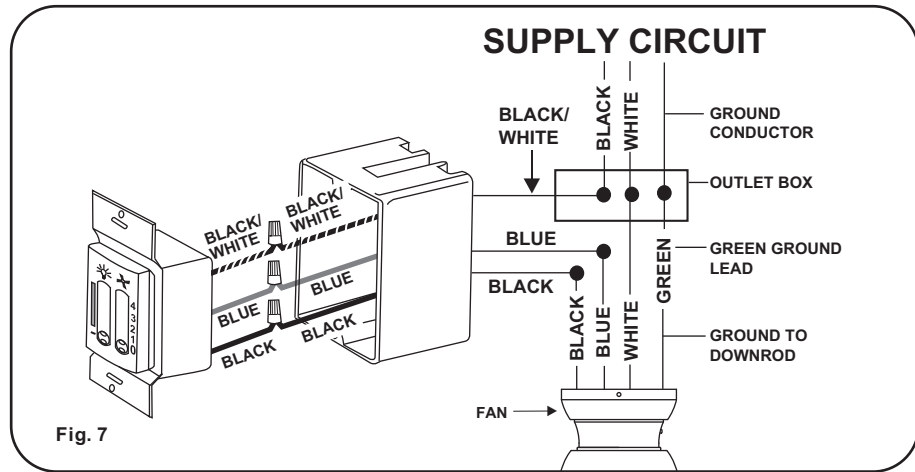
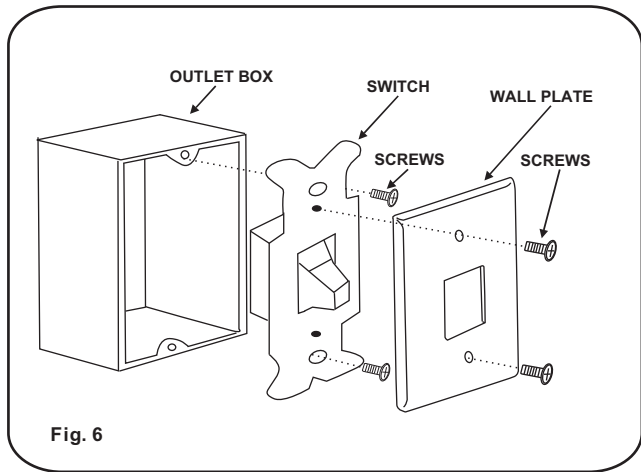
Step 1. Disconnect the power and remove the existing wall plate and switch from the wall junction box. (Fig. 6).

Step 2. Set knobs on the wall control in the 0 position. (Fig. 7)

Step 3. Make wire connections (Fig. 7) and secure with wire nuts supplied.

- Black wire from fan to black wire from speed control.
- Black/White wire from speed control to black wire from the A/C supply source.
- White wire from fan to white wire from the A/C supply source.
- Blue wire from fan to blue wire from light control.
- Connect the fan ground wire (green) to the household ground wire.

If your outlet box has a ground wire (green or bare copper) connect the wall control's ground wire to it; otherwise connect the wall control's ground wire directly to one of the screws from the outlet box.

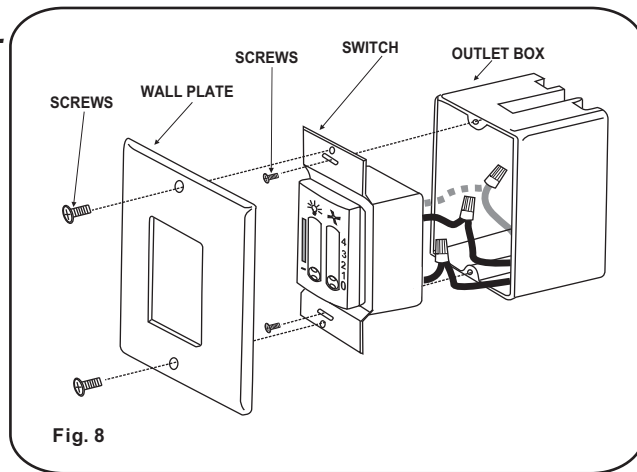


## ***INSTALLING THE WALL CONTROL***

Remember to shut the power off at the circuit breaker or fuse box.

**WARNING: HOOK UP IN "SERIES ONLY" DO NOT CONNECT THE HOT AND NEUTRAL WIRES OF ELECTRIC CIRCUIT TO THE WALL CONTROL - DAMAGE TO THE SWITCH AND POSSIBLE FIRE COULD OCCUR.**

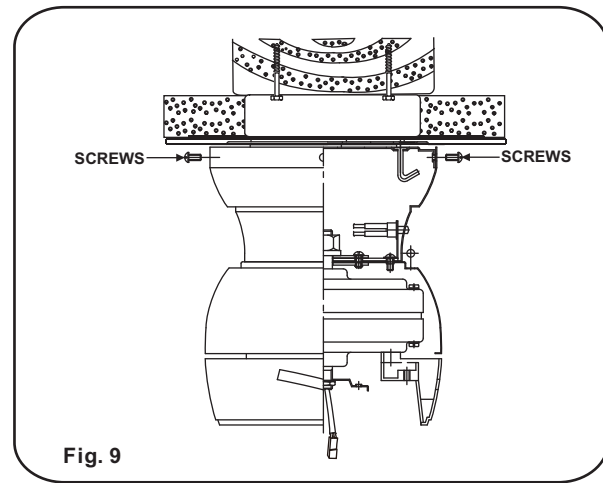
1. (Fig. 8) Carefully tuck the wire connections inside the junction box. Secure the wall control with the two screws provided.
2. Attach the wall plate over the wall control and secure with the two screws provided.



7

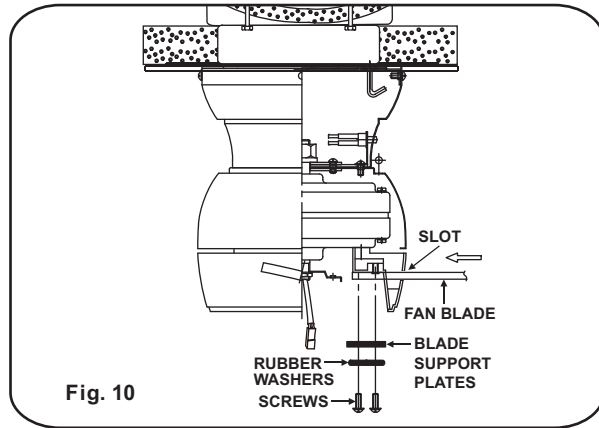
## *FINISHING THE INSTALLATION*

Move fan into position over the mounting bracket and secure with the four screws provided (Fig. 9).



Insert one fan blade into the blade slot on the motor housing and secure with the blade support plates, screws and washers. Securely tighten screws. Repeat process with other blades. (Fig. 10)

## ***ATTACHING THE FAN BLADES***

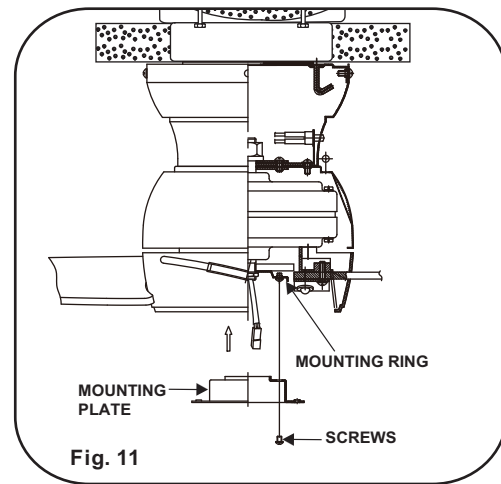


# 9

## *INSTALLING THE MOUNTING PLATE*

Step 1. Remove 1 of 3 screws from the mounting ring and loosen the other 2 screws. (Do not remove)

Step 2. Place the key holes from the mounting plate over the 2 screws previously loosened from the mounting ring, turn mounting plate until it locks in place at the narrow section of the key holes. Secure by tightening the 2 screws previously loosened and the one previously removed. (Fig. 11)





## INSTALLING THE LED LIGHT KIT

**CAUTION:** Before starting installation, make sure power is turned off at the circuit breaker.

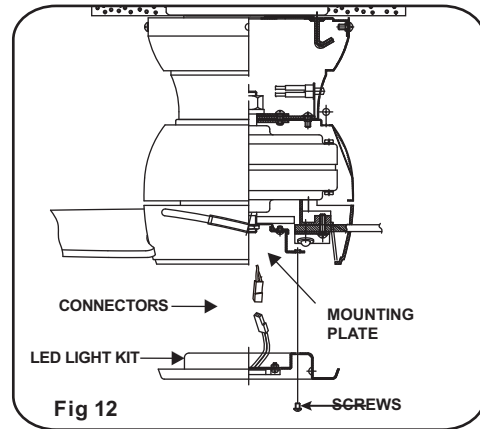
**CAUTION:** The light source is designed for this specific application and can overheat if serviced by untrained personnel. If any servicing is required, the product should be returned to an authorized service facility for examination or repair.

**Step 1.** Remove 1 of 3 screws from the mounting plate and loosen the other 2 screws. (Do not remove)

**Step 2.** While holding the LED light kit under the fan motor assembly, make the 2-pin wire connections: (Fig. 12)

- White to white      - Black to black

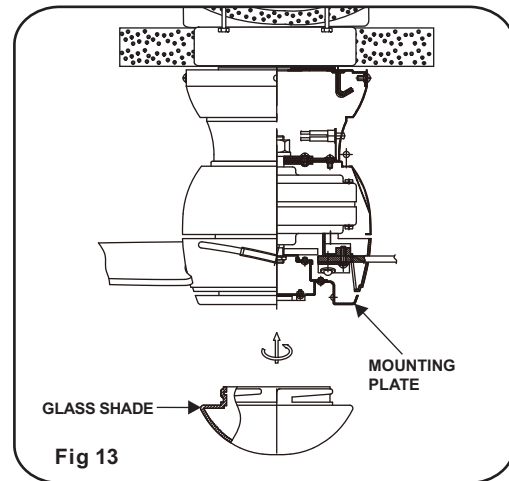
**Step 3.** Place the key holes in the LED light kit over the two mounting screws previously loosened from the mounting plate. Turn the LED light kit until the LED light kit locks in place at the narrow section of the key holes. Secure by tightening the two screws previously loosened and the one previously removed. (Fig. 12)



11

## *INSTALLING THE GLASS SHADE*

Step 1. Raise the glass shade up against the mounting plate and secure it to the fan by turning the glass shade clockwise until snug. DO NOT OVERTIGHTEN. (Fig. 13)




## OPERATING YOUR FAN

Restore power to ceiling fan and test for proper operation.

1. The fan 4-speed control is used to set the fan speed as follows:

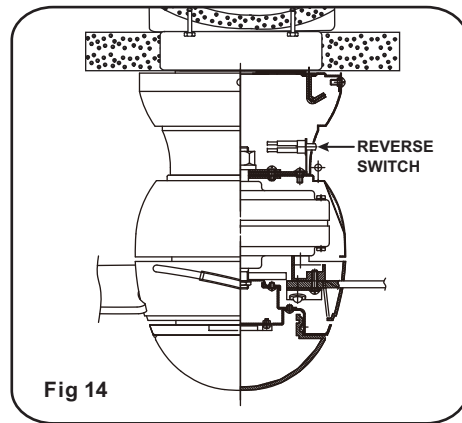
- 0= Turns the fan off
- 1= High Speed
- 2= Medium High Speed
- 3= Medium Speed
- 4= Low Speed

2. The "  " button will control the lights, brightness dimmer and off.

Speed settings for warm or cool weather depend on factors such as the room size, Ceiling height, number of fans, etc.

The Reverse switch is located on the motor housing (Fig. 14). Slide the switch to the Left for warm weather operation. Slide the switch to the Right for cool weather operation.

**NOTE:** Wait for fan to stop before changing the setting of the slide switch.

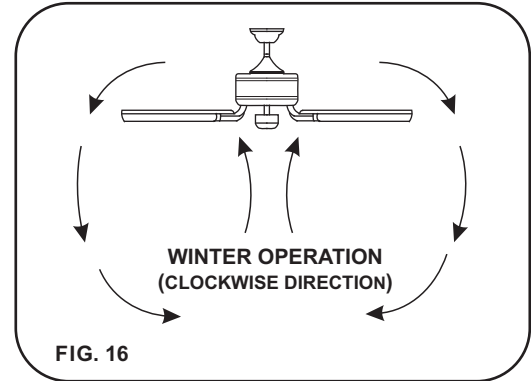
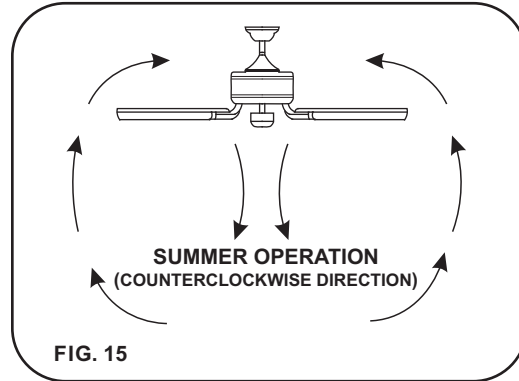


**Warm weather - (Forward)**

A downward airflow creates a cooling effect as shown in Fig. 15. This allows you to set your air conditioner on a warmer setting without affecting your comfort.

**Cool weather - (Reverse)**

An upward airflow moves warm air off the ceiling area as shown in Fig. 16. This allows you to set your heating unit on a cooler setting without affecting your comfort.



## CARE OF YOUR FAN

Here are some suggestions to help maintain your fan.

1. Because of the fan's natural movement some connections may become loose. Check the support connections, brackets and blade attachments twice a year. Make sure they are secure. (It is not necessary to remove fan from the ceiling).
2. Clean your fan periodically to help maintain its new appearance over the years. Use only a soft brush or lint free cloth to avoid scratching the finish. Plated finishes are sealed with lacquer to minimize discoloration or tarnishing. Do not use water when cleaning, this could damage the motor, wood blades or possibly cause an electrical shock.
3. If your fan is provided with wood veneer blades; you can apply a light coat of furniture polish for additional protection and enhanced beauty. Cover small scratches with a light application of shoe polish.

4. Use a lint free lightly damp cloth or duster to remove dust from the blades.

5. There is no need to oil your fan. The motor has permanently lubricated bearings.

6. If your fan is provided with glass shades, clean with lukewarm soapy water and a soft cloth or sponge. **DO NOT IMMERSE GLASS SHADES IN HOT WATER. DO NOT PUT GLASS SHADES INTO AN AUTOMATIC DISHWASHER.**

**WARNING!**  
**MAKE SURE THE POWER IS OFF AT THE ELECTRICAL PANEL BOX BEFORE YOU ATTEMPT ANY REPAIRS. REFER TO THE SECTION, "ELECTRICAL CONNECTIONS".**

# 14

## ***TROUBLESHOOTING***

### SYMPTOM

Fan will not start

### SOLUTION

- Check fuses or circuit breakers.
- Check wall control connections.
- Check line wire connections to fan and switch wire connections in switch housing.  
CAUTION: Make sure main power is off.
- Check to make sure the reverse is set to one side. If switch is located in the middle it might not make proper contact.

### SYMPTOM

Fan Sounds Noisy

### SOLUTION

- Allow a 24-hour "break-in" period. Most noises associated with a new fan go away during this time.
- Make sure all motor housing screws are snug.
- Make sure the screws that attach the fan blade bracket to the motor hub are tight.

## SYMPTOM

Fan Wobble

## SOLUTION

- Check that all blade and blade holder screws are secured.
- Use the balancing kit provided if the wobble is excessive. (follow instructions included with balancing kit.)

NOTE: All Blade sets are grouped by weight. Because blades vary in density, the fan may wobble even though blades are weight matched.

15

## *SPECIFICATIONS*

These are typical readings. Your actual fan may vary. They do not include amps and wattage used by the light(s).

Fan Size	Speed	Volts	Amps	Watts	RPM	N.W.	G.W.	C.F.
26"	Low	120	0.127	6	90	5.52	6.13	0.89'
	High	120	0.292	32	361	kgs	kgs	



## PERFORMANCE AND ENERGY INFORMATION

# ENERGYGUIDE

Estimated  
Yearly Energy Cost  
**\$6**

\$3 | | | \$34

Cost Range of Similar Models (19" – 84")

- Based on 12 cents per kWh and 6.4 hours use per day
- Your cost depends on rates and use
- Energy Use: 20 Watts

All estimates based on typical use, excluding lights

Airflow  
**1,223**  
Cubic Feet Per Minute

- The higher the airflow, the more air the fan will move
- Airflow Efficiency: 61 Cubic Feet Per Minute Per Watt

[ftc.gov/energy](http://ftc.gov/energy)

FAN SPEED	AIRFLOW (CFM)*	POWER USE (Watts)	AIRFLOW EFFICIENCY (CFM/Watt)
Low	459	6	83
High	1992	32	62

Ceiling fan airflow is measured in cubic feet per minute (CFM). Power use is measured in watts. To maximize energy savings:

- Choose a fan with high airflow efficiency (CFM/watt).
- Use ENERGY STAR® rated bulbs in your fan.
- Switch off your fan when you leave the room.

\* Measure according to the DOE approved test method.

For any additional information about your Minka Aire® Ceiling fan, please write to:



1151 W. Bradford Court, Corona, CA 92882  
For Customer Assistance Call: 1-800-307-3267