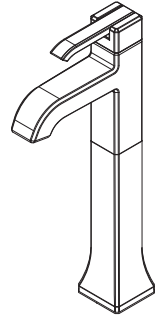


Park Avenue™ Vessel Faucet



- LG40-FE0BG Finish(BG)
- LG40-FE0C Finish(C)
- LG40-FE0D Finish(D)
- LG40-FE0K Finish(K)
- LG40-FE0Y Finish(Y)

- Lever Handles
- 1 or 3-Hole Installation
- Pforever Seal

Specifications

Features

- 1.2 GPM FLOW Rate
- All Metal Construction
- Quick Connect Installation
- Lever Handle
- Install With or Without Deck Plate
- Pforever Seal Ceramic Disc Valve
- Pforever Warranty®

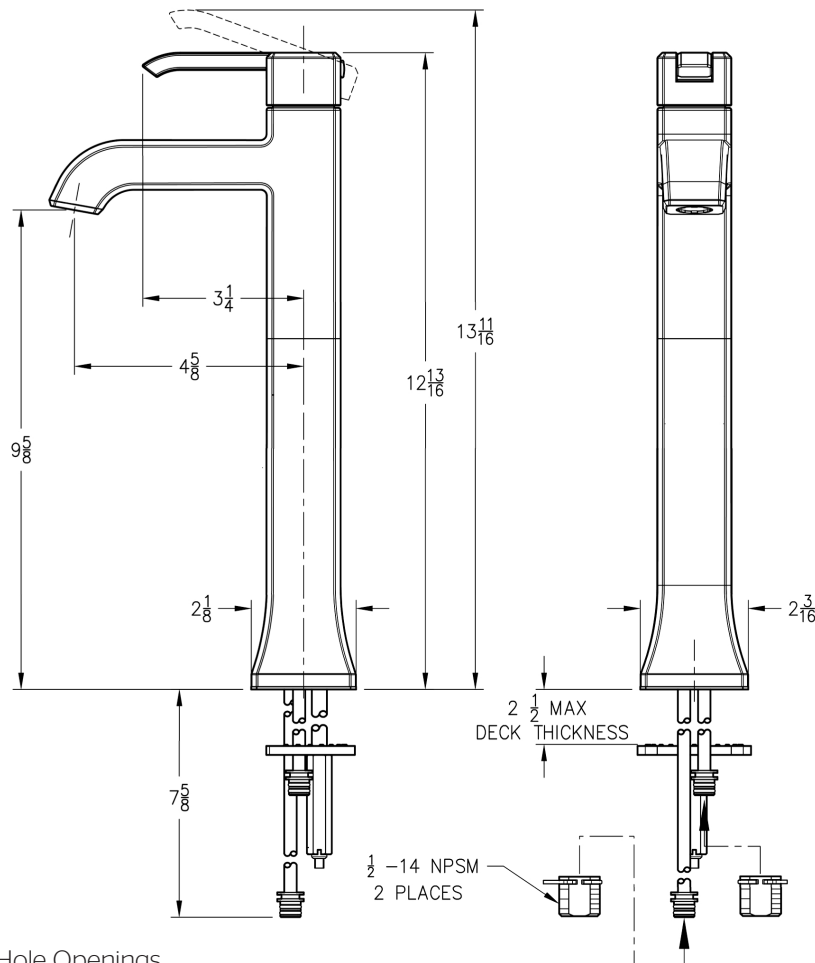
Code Compliance

Pfister products are designed and manufactured in compliance with the following standards and codes:

- IAPMO Certified
- CSA B125 Certified
- ASME A112.18.1
- NSF 61/9 Annex G (Low lead)
- Cal Green Compliant
- CEC Compliant
- EPA WaterSense Certification 1.2 gpm, 4.5 L/Min
- ADA Compliant-ANSI A117.1 (Lever handles only)



Dimensions



Ø1 Min to Ø1-1/2 Max. Deck Hole Openings