

- R89-1DEC Finish(C) R89-1DEK Finish(K) LG89-7DEK Finish(K) LG89-8DEK Finish(K)
 R89-1DED Finish(D) R89-1DEY Finish(Y) LG89-7DEY Finish(Y) LG89-8DEY Finish(Y)

- LG89-7DEC Finish(C) LG89-8DEC Finish(C)
 LG89-7DED Finish(D) LG89-8DED Finish(D)

Specifications

- Trim Only, Valve Not Included

Features

- 1.8 GPM Flow Rate
- Multi-Function Shower Head
- Requires OX8 or JX8 Valve
- SecurePfit™ Trim
- Valve Only (1DE Only)
- Shower Only (7DE Only)
- Tub and Shower (8DE Only)
- Pforever Warranty®

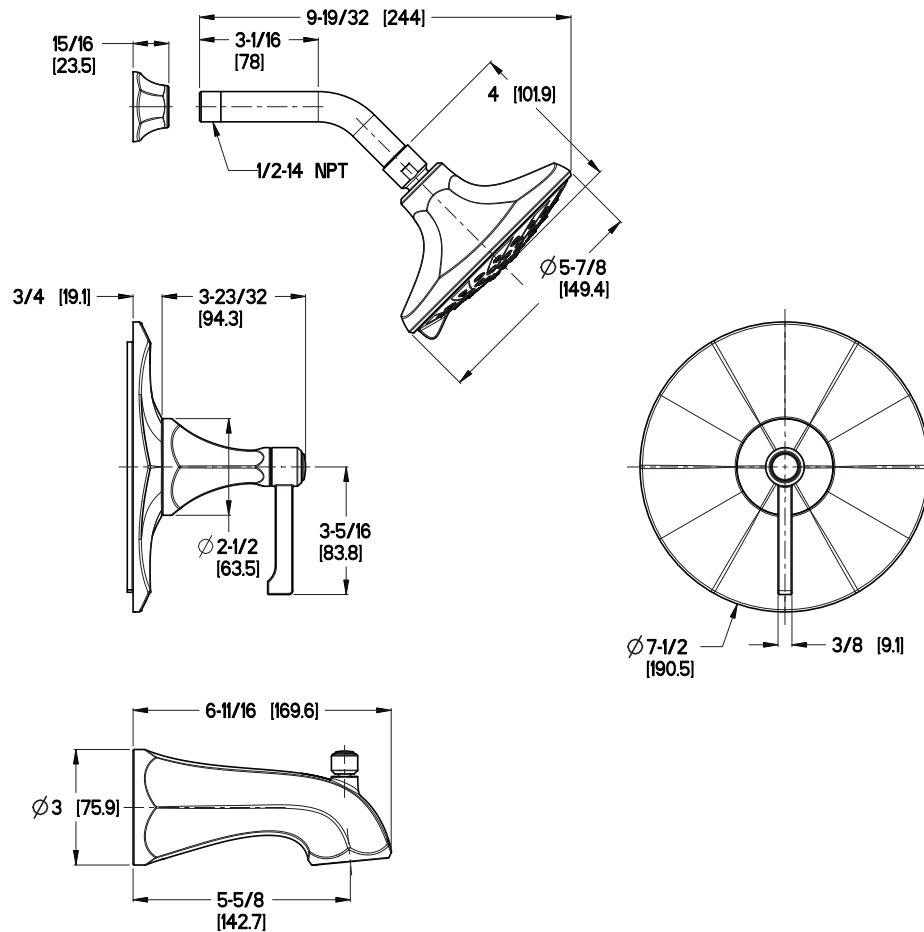
Code Compliance

Pfister products are designed and manufactured in compliance with the following standards and codes:

- IAPMO Certified
- CSA B125 Certified
- ASME A112.18.1
- Cal Green Compliant
- CEC Compliant
- ADA Compliant-ANSI A117.1 (Lever handles only)
- EPA WaterSense Certification 1.8 gpm, 6.8L/Min



Dimensions



Ø1 Min to Ø1-1/2 Max. Deck Hole Openings