

AM11-5 Series

CLEAN COMFORT™ INDOOR AIR ESSENTIALS

Description

The Clean Comfort™ AM11-5 Series of MERV 11 media air cleaners for residential applications helps remove a wide range of airborne particles as small as 0.3 micron.

- Helps protect and prolong the operating efficiency of the heating and cooling equipment
- Helps reduce unpleasant odors (such as those from cooking, smoking or painting) with optional carbon VOC filters.

Standard Features

- Includes MERV 11 media filter, rated at 492 feet/minute, removes airborne particles down to 0.3 micron
- Filter design features a structured density gradient with an electret charge for higher initial and sustained efficiency over the life of the filter
- Filter material is constructed of cellulose-free, hydrophobic polyolefin fibers that will not shred or absorb moisture
- Extra deep, 5¼ inch pleated filter with long filter life and low static pressure.
- Filter has a tight fit with the cabinet ensuring minimal air bypass so virtually all of the air in the return duct is treated
- Pre-assembled filter frame is made of strong beverage board. Quick and easy to change filter when needed
- Heavy-gauge, galvanized-steel cabinet and powdercoat paint finish on cabinet door resist corrosion and provide trouble-free installation
- Reversible air flow. Mounts in any position.
- Maintenance-free except for filter replacement
- No electrical hook-up required
- Can be upgraded to a Clean Comfort High Efficiency Electronic Air Cleaner, which is capable of removing airborne contaminants as small as 0.06 micron (1/424,000 of an inch)*

Accessories

Activated Carbon VOC Filters (3 per pack) help reduce unpleasant odors, such as those from cooking, smoking or painting. Replace every three-to-six months, based on conditions in the home.

Model #	Optional Activated Carbon VOC Filter Part*
AM11-1620-5 /AM11-1625-5	AEP-1156-3
AM11-2020-5 /AM11-2025-5	AEP-1856-3

* Activated carbon VOC filters are not available for the AM11-2520-5 model

MERV 11 MEDIA AIR CLEANERS

MODELS

AM11-1620-5, AM11-1625-5

AM11-2020-5, AM11-2025-5

AM11-2520-5



Replacement Media Filters

Replacement filters are packaged 3 per box. Filter should be changed once or twice a year based on conditions within the home:

Air Cleaner Model #	Replacement Filter Part#
AM11-1620-5	AMP-M0-1056
AM11-1625-5	AMP-M1-1056
AM11-2020-5	AMP-M2-1056
AM11-2025-5	AMP-M8-1056
AM11-2520-5	AMP-M8-1056

Upgrade Kit to Electronic Air Cleaner**

Includes Prefilters (2), Collecting Cells (2), and Power Box (1) which includes Air-Proving Switch and Contact Board

Air Cleaner Model #	Upgrades to Model:	With Upgrade Kit:
AM11-1620-5	AE14-1620-51	AEP-EACK1620A
AM11-1625-5	AE14-1625-51	AEP-EACK1625A
AM11-2020-5	AE14-2020-51	AEP-EACK2020A
AM11-2025-5	AE14-2025-51	AEP-EACK2025A

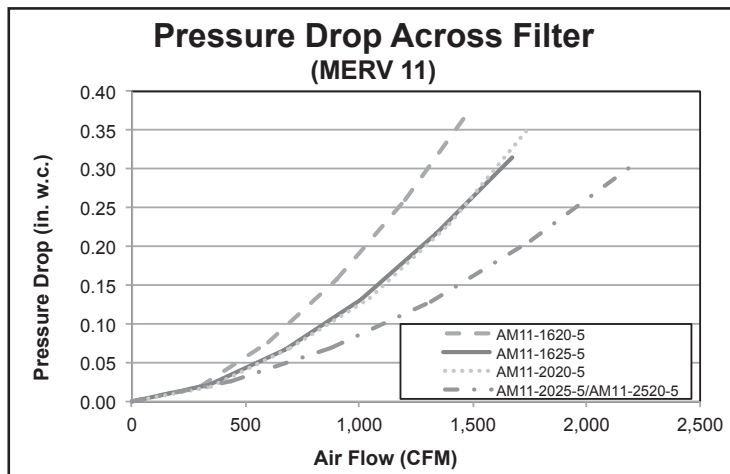
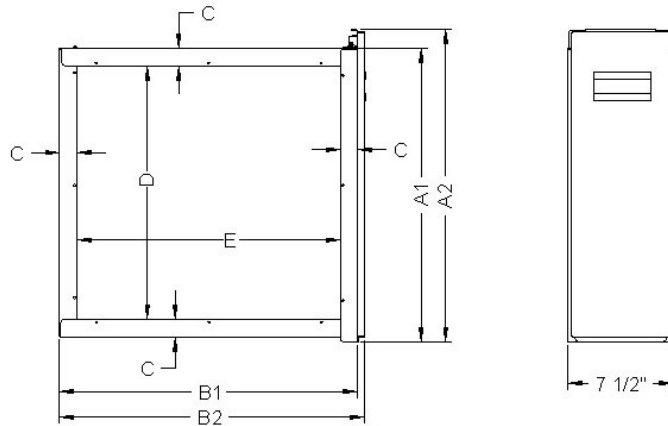
** The AM11-2520-5 cannot be upgraded to an electronic air cleaner



* Warranty doesn't apply to media filter or optional activated carbon VOC filter. Other exceptions apply. Complete warranty details available from your local dealer or at www.cleancomfort.com.



SPECIFICATIONS				
MODEL	AM11-1620-5	AM11-1625-5	AM11-2020-5	AM11-2025-5 / AM11-2520-5
House Size Area	Up to 2400 ft ² (223 m ²)	Up to 3000 ft ² (279 m ²)	Up to 3000 ft ² (279 m ²)	Up to 4000 ft ² (372 m ²)
Airflow	Up to 1200 CFM (2039 m ³ /hr)	Up to 1400 CFM (2379 m ³ /hr)	Up to 1400 CFM (2379 m ³ /hr)	Up to 2000 CFM (3398 m ³ /hr)
Duct Size	16 x 20 in (40.5 x 51 cm)	16 x 25 in (40.5 x 63.5 cm)	20 x 20 in (51.0 x 51.0 cm)	25 x 20 in (63.5 X 51.0 cm)
Unit Weight	17 lbs (7.7 kg)	18 lbs (8.2 kg)	19 lbs (8.6 kg)	20 lbs (9.1 kg)
Pressure Drop	.077 in. w.c. @ 246 fpm .26 in. w.c. @ 492 fpm	.066 in. w.c. @ 246 fpm .217 in. w.c. @ 492 fpm	.069 in. w.c. @ 246 fpm .230 in. w.c. @ 492 fpm	.069 in. w.c. @ 246 fpm .207 in. w.c. @ 492 fpm
MERV Rating	11	11	11	11
Filtration Efficiency by Micron Size				
E1 (0.3 - 1.0 micron)	30.10%	26.00%	34.30%	33.50%
E2 (1.0 - 3.0 micron)	66.60%	65.5%	66.70%	66.00%
E3 (3.0 - 10.0 micron)	91.10%	85.4%	89.60%	89.60%



Performance data based on the ASHRAE Standard 52.2. Maximum test velocity is 492 feet/minute.

DIMENSIONS in (cm)							
MODEL	A1	A2	B1	B2	C	D	E
AM11-1620-5	15.94 (40.5)	17.41 (44.2)	23.18 (58.9)	23.7 (60.2)	1.25 (3.2)	13.12 (33.3)	20.68 (52.5)
AM11-1625-5	15.94 (40.5)	17.41 (44.2)	26.11 (66.3)	26.64 (67.7)	1.0 (2.6)	13.62 (34.6)	24.11 (61.2)
AM11-2020-5	20.83 (52.9)	22.3 (56.6)	21.21 (53.9)	21.74 (55.2)	1.25 (3.2)	18.0 (45.7)	18.71 (47.5)
AM11-2025-5	20.83 (52.9)	22.3 (56.6)	25.76 (65.5)	26.29 (66.8)	1.25 (3.2)	18.0 (45.7)	23.26 (59.1)
AM11-2520-5	25.87 (65.7)	27.32 (69.4)	20.68 (52.5)	21.21 (53.9)	1.25 (3.2)	23.05 (58.5)	18.25 (46.4)

Daikin North America LLC reserves the right to discontinue or change at any time, specifications or designs without notice or without incurring obligations. Performance of the Air Cleaners will depend on house plan design, duct design and heating/cooling equipment.

TECHNICAL SUPPORT • 1-800-267-8305 • www.cleancomfort.com

Our continuing commitment to quality products may mean a change in specifications without notice.

© 2015 **DAIKIN NORTH AMERICA LLC** • Houston, Texas • Printed in the USA.