

Features

- Includes mirror defogging
- Dimmable LED task lighting to 1%
- Compatible with most Triac/Phase-cut dimmers
- Energy efficient LED lighting:

Kelvin	2700	4000
CRI	90+	90+
Lumens* (Approx)	680	760
Lux* (Approx)	560	770
R9 Value*	50+	50+
Foot-candles* (Approx)	52	71
Watt Output - LED	55w max	
Watt Output - LED with defogger on	85w max	

* Measured at 18" from center of the mirror

Construction

- Anodized aluminum back frame
- Quality polished edge mirror
- Power cords installed for easy plugin installation
- Constructed for surface mounting
- Includes installation hardware

Codes/Standards Applicable

Vitality Mirror is UL certified to:

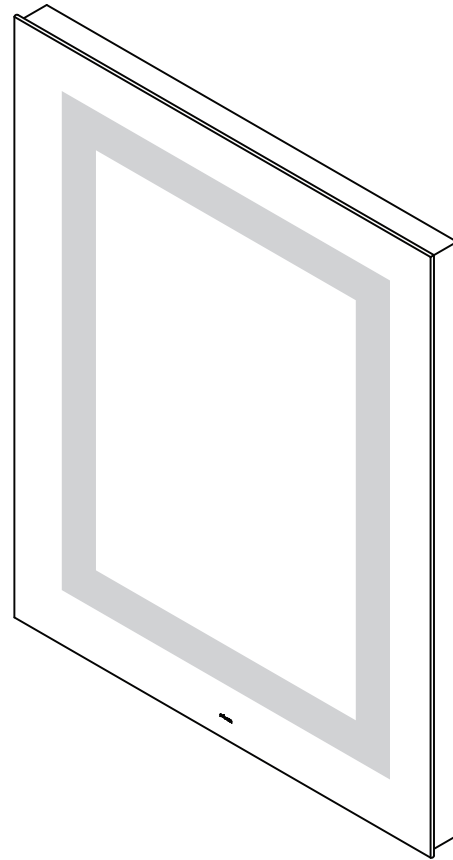
- UL 962
- CSA-C22.2, No. 12-82

Dimensions

Height: 30" (762 mm)
 Width: 24" (610 mm)
 Depth: 1-3/4" (45 mm)

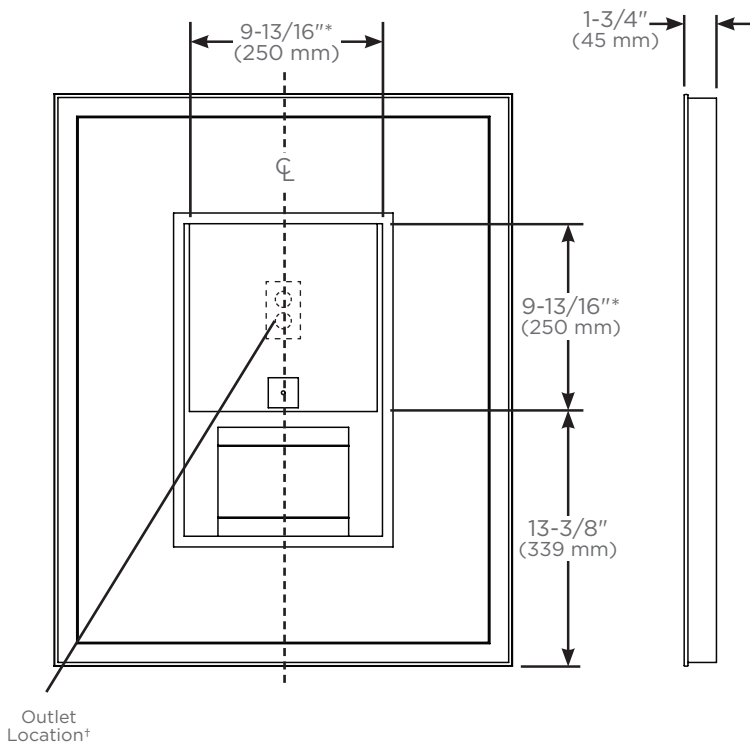
Electrical System

- 120 Vac 60Hz wall outlet as shown in drawing



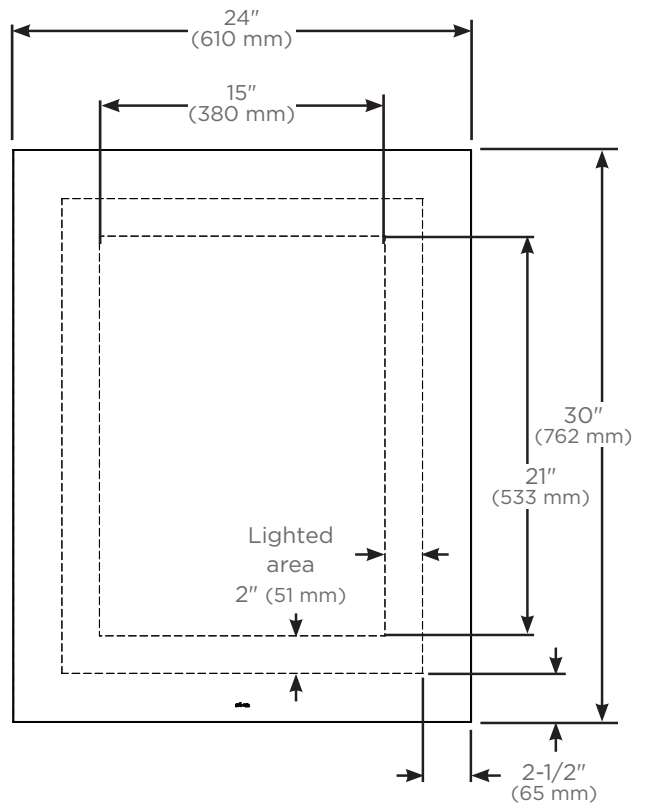
Model Number Key

<u>Vitality</u>	<u>Mirror</u>	<u>Width</u>	<u>Height</u>	<u>Shape</u>	<u>Light Pattern</u>	<u>Edge Type</u>	<u>Options</u>	<u>Color Temp</u>
Y	M	24	30	R = Rectangle	I = Inset	FP = Flat, Polished	D = Defogger	3 = 2700K 4 = 4000K



Back view for electrical outlet location

Side view



Front view

* Defogger Size

† See instructions for wiring and location