



STORE+® 60" x 32" Vikrell® bath/shower with Aging in Place backerboards, right above-floor drain 71420128



Features

- Tongue-and-groove modular design allows for easy installation during any phase of construction
- Includes four rimmed shelves, two caddies, two hooks, and two soap dishes with towel bar
- Dishwasher-safe shelves and bins snap into place; no tools required
- Holds up to 30 bottles
- Easy-to-clean, durable high-gloss finish
- Factory-installed Aging in Place backerboards for future grab bar installation
- Innovative Dry-Block™ seal and channeled water containment system form watertight seams

Material

- Compression molded from our exclusive solid Vikrell® material

Installation

- Alcove
- Caulk-free installation
- Right drain

Recommended Products/Accessories

- K-23726 Drain treatment
- K-23733 Vikrell® cleaner

Included Components

- 71121122 60" x 32" Vikrell® bath, right above-floor drain
- 71424106 60" x 32" Vikrell® bath/shower wall set with Aging in Place backerboards



Codes/Standards

- CSA B45.5/IAPMO Z124
- ASTM E162
- ASTM E662
- HUD, UM Bulletin 73

STERLING® Vikrell® or Acrylic Baths and Shower Bases Ten-Year Limited Warranty

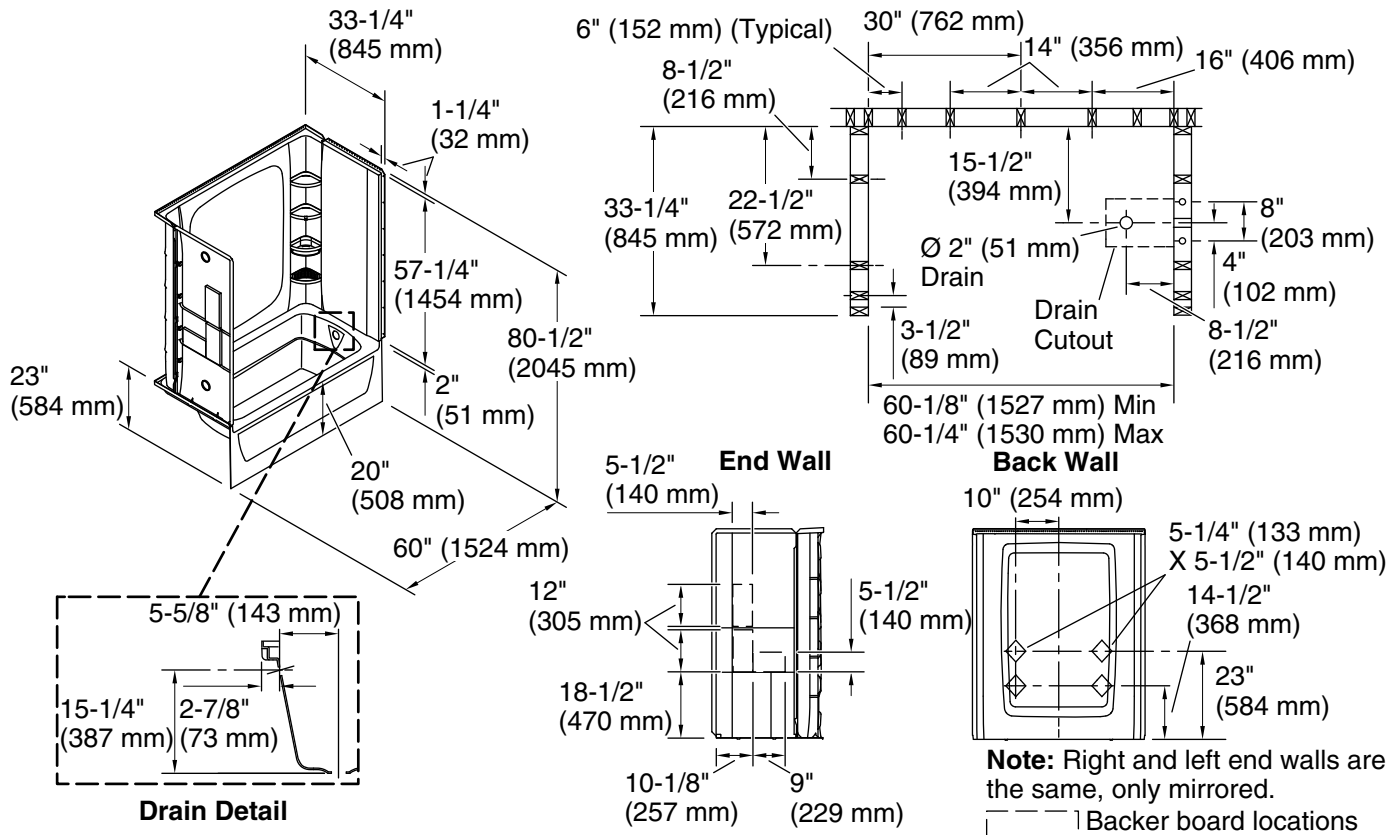
See website for detailed warranty information.

Available Colors/Finishes

Color tiles intended for reference only.

Color Code Description

■	0	White
---	---	-------



Technical Information

All product dimensions are nominal.

Drain location:	Right
Basin area, bottom:	42" x 20" (1067 mm x 508 mm)
Basin area, top:	54" x 26" (1372 mm x 660 mm)
Weight:	143 lbs (64.9 kg)
Water depth:	13-3/4" (349 mm)
Water capacity:	51 gal (193.1 L)
Maximum door height:	59" (1499 mm)
Maximum door width:	57-11/16" (1465 mm)

Notes

Install this product according to the installation instructions.

Studs should be positioned roughly as shown. Double studding is recommended for pivot shower door installations.

Attach grab bars at the specified backer board locations only.