

Features

- Solid brass construction
- Temperature-adjust handle for thermostatic valve
- 3-spoke circular handle assembly for control valve
- Intended for use with Newport Brass rough valve(s) as specified (Required Accessory)

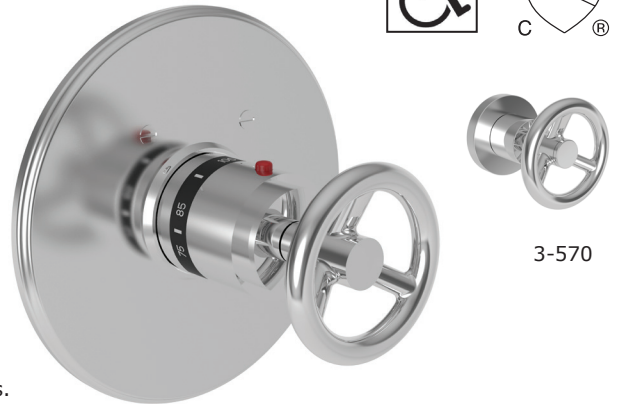
Thermostatic Shower System Trim
3-2924TR

Also 3-570

Codes / Standards Compliance

Meets or exceeds the following at date of manufacture:

- ASME A112.18.1/CSA B125.1
- IAPMO/cUPC
- IPC
- ICC/ANSI A117.1
- ASSE 1016
- All applicable US Federal and State material regulations



Colors / Finishes

- 10B: Oil Rubbed Bronze
- 15: Polished Nickel
- 15S: Satin Nickel - PVD
- 26: Polished Chrome
- Other: Refer to the Newport Brass catalog for additional color/finish options.

Specified Model

Model	Description	Colors Finishes				
3-2924TR	Thermostatic Shower System Trim	<input type="checkbox"/> 10B	<input type="checkbox"/> 15	<input type="checkbox"/> 15S	<input type="checkbox"/> 26	<input type="checkbox"/> Other
3-570	Shower System Control Valve Trim (Escutcheon/Handle)	<input type="checkbox"/> 10B	<input type="checkbox"/> 15	<input type="checkbox"/> 15S	<input type="checkbox"/> 26	<input type="checkbox"/> Other

Required Accessory: Trim, above, and Rough Valve Kit, below, must both be specified

Application	Shower System Valve	Shower System Valve (Choose One)	
Description	Thermostatic	Flow Control (CW off)	
Inlet/Outlet	3/4"	1/2"	3/4"
Part Number	1-540	1-606H	1-607H
Image			

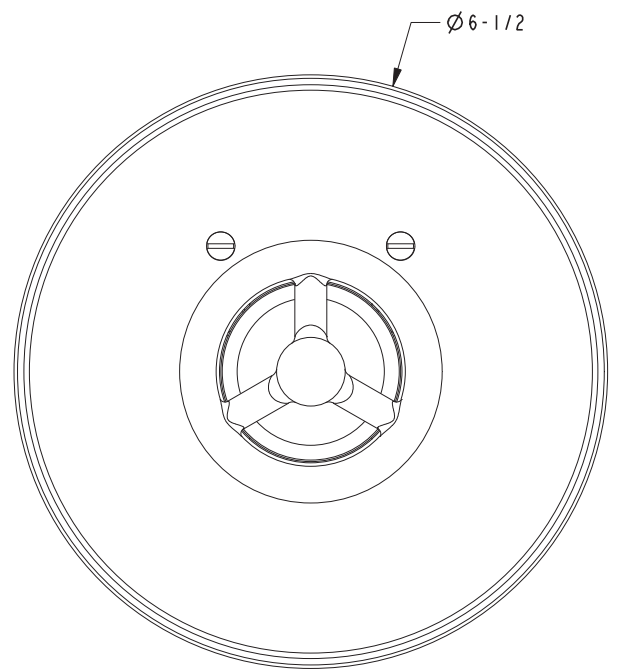
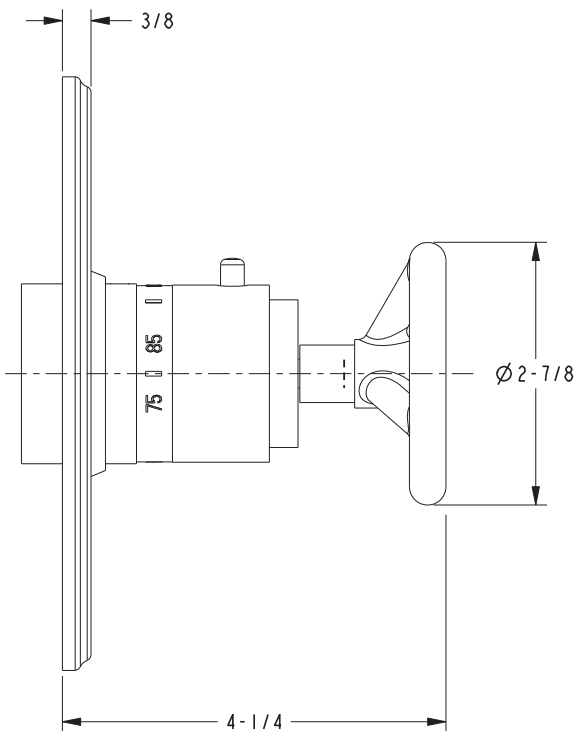
Note: The use of one 1-606H or 1-607H flow control valve and one 1-617 diverter valve can be configured to meet the requirements of CALGreen Bldg. Code (2010).

Product Specification: Add "Color / Finish" suffix to Model number, below.

The Thermostatic Shower System Trim shall be made of solid brass construction. Thermostatic Shower System Trim shall include a faceplate and temperature-adjust handle. Thermostatic Shower System Trim shall be Newport Brass Model 3-2924TR/____ and Thermostatic Shower System Valve shall be Newport Brass Model 1-540. Shower System Control Valve Trim (Handle/Escutcheon) shall be 3-570/____ and Shower System Control Valve(s) shall be 1-60____ (and 1-60____).

3-2924TR

PRODUCT DIMENSIONS *(Units are in inches)*



Slater Thermostatic Shower System Trim
3-2924TR