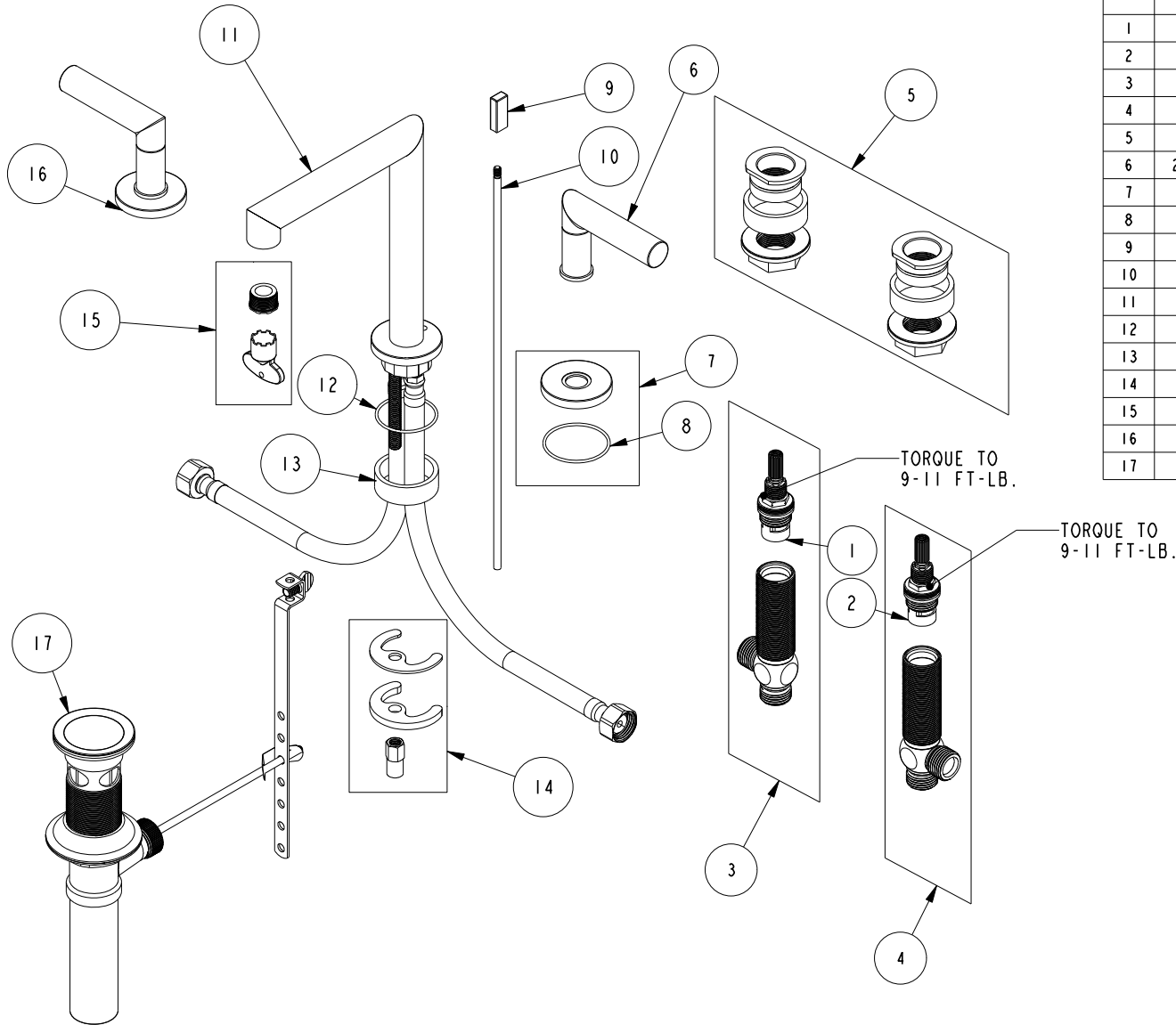


REPLACEMENT PARTS



ITEM	PT/ASSY	SPECIFY FINISH	DESCRIPTION
1	1-001		W/S CARTRIDGE - COLD
2	1-002		W/S CARTRIDGE - HOT
3	1-526		W/S CART/BODY ASM (COLD)
4	1-527		W/S CART/BODY ASM (HOT)
5	1-226		WIDESPREAD MOUNTING HARDWARE
6	20-107	YES	HANDLE ASM
7	2-937	YES	HANDLE ESCUTCHEON ASM
8	91759		O-RING, #2-030, 50 DURO
9	11738	YES	POP UP KNOB
10	10288	YES	3/16" POP UP ROD
11	3-402	YES	W/S - MITER SPOUT ASM
12	91766		O-RING, #2-029, 50 DURO
13	10382		QUICK CONNECT SPACER
14	1-491		SPOUT MOUNTING KIT
15	1-492		AERATOR 1.2 GPM WITH KEY
16	3-549	YES	HANDLE/ ESC ASM
17	325	YES	POP UP ASSEMBLY

W/S LAV FAUCET
3120

REV D EN-4734 11/08/23 APPROVED R.S.

NEWPORT BRASS.

t: 949.417.5207 | www.newportbrass.com