
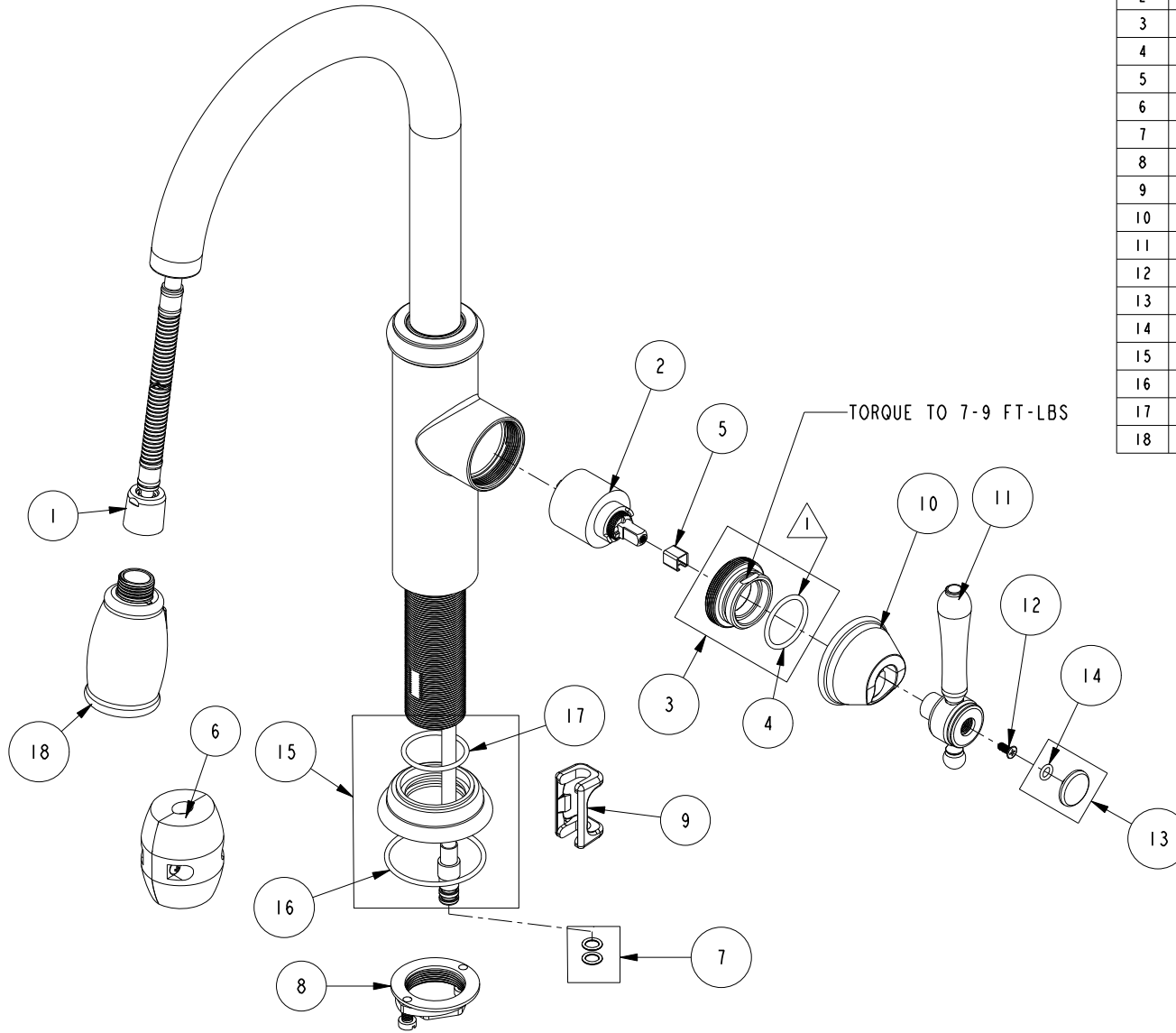


REPLACEMENT PARTS

NOTE:

 USE SILICON GREASE (PART NUMBER 6727) TO LUBRICATE O-RINGS BEFORE INSTALL.



ITEM	PT/ASSY	SPECIFY FINISH	DESCRIPTION
1	11877		HOSE, PULLDOWN SWIVEL
2	1-064		SINGLE LEVER CARTRIDGE
3	1-266		CART. RETAINER ASM
4	91608		O-RING, #2-122, EPDM, 65-75 DURO
5	91534		CARTRIDGE STEM INSERT
6	1-286		WEIGHT ASM
7	1-399		O-RING KIT FOR SPOUT PEX CONECTION
8	1-256		MOUNTING KIT
9	91568		RETAINER CLIP
10	12838	YES	HANDLE HUB
11	20-316	YES	HANDLE LEVER ASM
12	92035		SCRW, M4 X .7 X 10 PHL FLT HD SS
13	20-190	YES	CAP ASM
14	91049		O-RING, #2- 010, EPDM, 65-75 DURO, NSF 61
15	20-185	YES	BASE RING ASM
16	91752		O-RING, #2- 137, EPDM, 50 DURO
17	91227		O-RING, #2-125 EPDM
18	3-417	YES	SPRAY HEAD, JACOBEBAN

PULL DOWN KITCHEN FAUCET - CHESTERFIELD
1030-5103

REV M EN-4766 01/15/24 APPROVED KN

NEWPORT BRASS.

t: 949.417.5207 | www.newportbrass.com