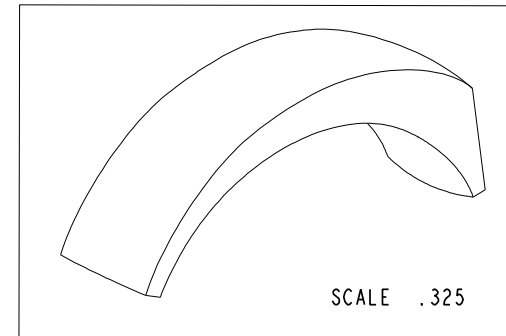
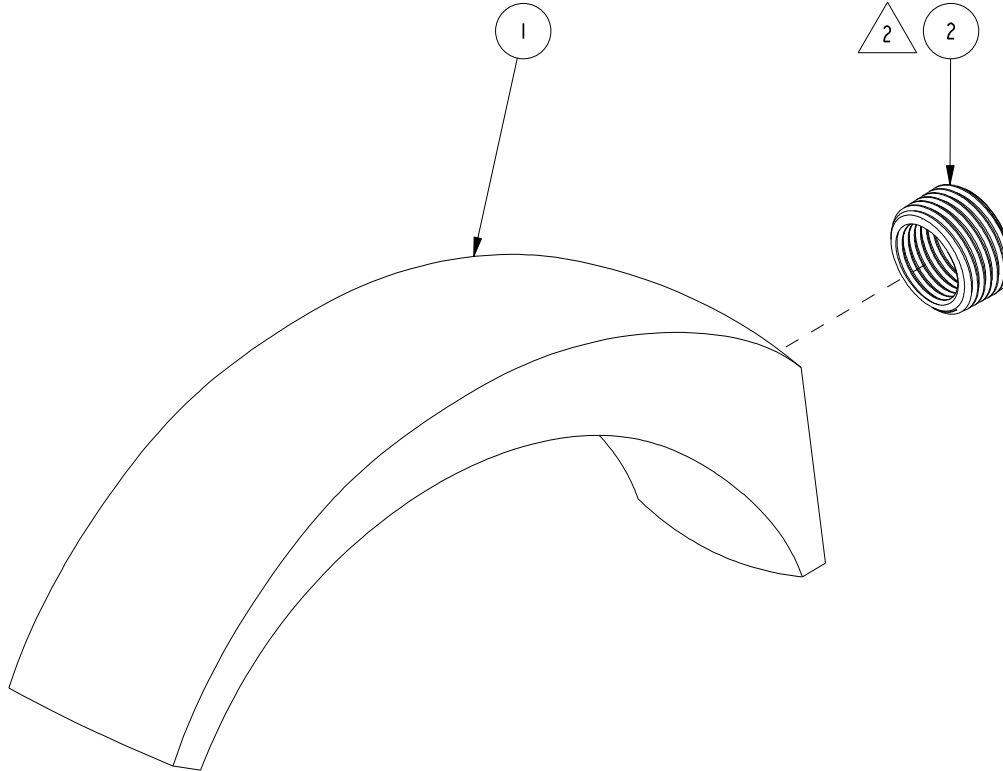


NOTES:

- (N1) 1. TO INSPECT ASSEMBLY, FOLLOW FIRST ARTICLE AND IN PROCESS INSPECTION SHEET.
- (N2) 2. LOOSE PIECE (DO NOT ASSEMBLE TO SPOUT). BAG IT IN A SEPARATE PLASTIC / FOAM BAG.

**BILL OF MATERIAL (CURRENT LEVEL)**

ITEM	PT/ASSY	DESCRIPTION	TYPE	QTY.
1	10081	TUB WALL SPOUT	PART	1
2	50464	FACE BUSHING 3/4 X 1/2 NPT	PART	1



COPYRIGHT 2005 BRASSTECH, INC. THESE DRAWINGS AND THE DESIGNS DEPICTED HEREIN ARE THE PROPRIETARY PROPERTY OF BRASSTECH. ANY USE OR REPRODUCTION IS SUBJECT TO THE EXPRESS APPROVAL OF BRASSTECH. UNAUTHORIZED USE IS STRICTLY PROHIBITED. ALL RIGHTS RESERVED.				
-	A	EN-4300 ii	01/25/21	R. S.
-	-	EN-3223	1/6/17	J. A.
ZONE	REV	DESCRIPTION	DATE	APPROVED
TOOLING FIXTURE #		REMOVE ALL BURRS AND SHARP EDGES		

UNITS ARE: INCHES [MM]	
TOLERANCES ARE:	
FRACTIONS	DECIMALS
±1/16"	.X ±.1 [2.5]
	.XX ±.06 [1.5]
(X.XXX) DENOTES CRITICAL DIMS. ALL THREADS ARE CRITICAL	
DRAWN	J. AMOZOC 1/6/17
CHECKED	J. AMOZOC 1/6/17
APPROVED	V. VU 1/6/17

**BRASSTECH** 2001 CARNEGIE AVE. SANTA ANA, CA 92705 (949) 417-5207  
INCORPORATED

**TUB WALL SPOUT ASM**

DWG NO.	20-258	REV	A
SCALE	.625	REF.	-
SHEET	1	OF	2

