

PF4001/PF4001C/PF4001F/PF4001P/ PF4001WP

ACCUFIT® PRESSURE BALANCE TUB AND SHOWER FAUCET VALVE WITH STOP

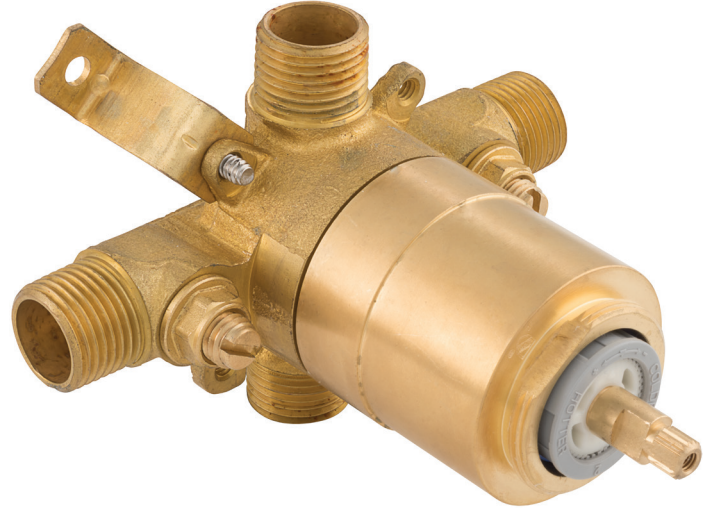


Product Features

- ACCUFIT® Pressure balance valve with integral stops
- One-piece cartridge design for ease of maintenance
- Ceramic Disc Cartridges
- Back-to-back capability
- Cast brass valve body
- Optional air test cap available
- Adjustable temperature limit stop
- Quick remove plaster guard
- Easy mounting brackets

Optional Parts

ACF4001AIR	Air test cap
ACF4001EXT*	Deep rough extension kit
ACF4001GRD2	Plaster guard
ACF4001STOP	Stop valve
ACF4001UCRT	Replacement cartridge assembly



Codes and Certifications

PF4001



- Certified to ASME A112.18.1 / CSA B125.1
- cUPC/IAPMO listed
- Meets or exceeds ASSE 1016-P standards (anti-scald)

Flow Rates (Gallons per minute)

Pressure (psi)	20 psi	40 psi	60 psi	80 psi
Rate (gpm)	3.17	4.49	5.55	6.34

For detailed warranty information, visit ferguson.com/proflo-faucet-warranty.

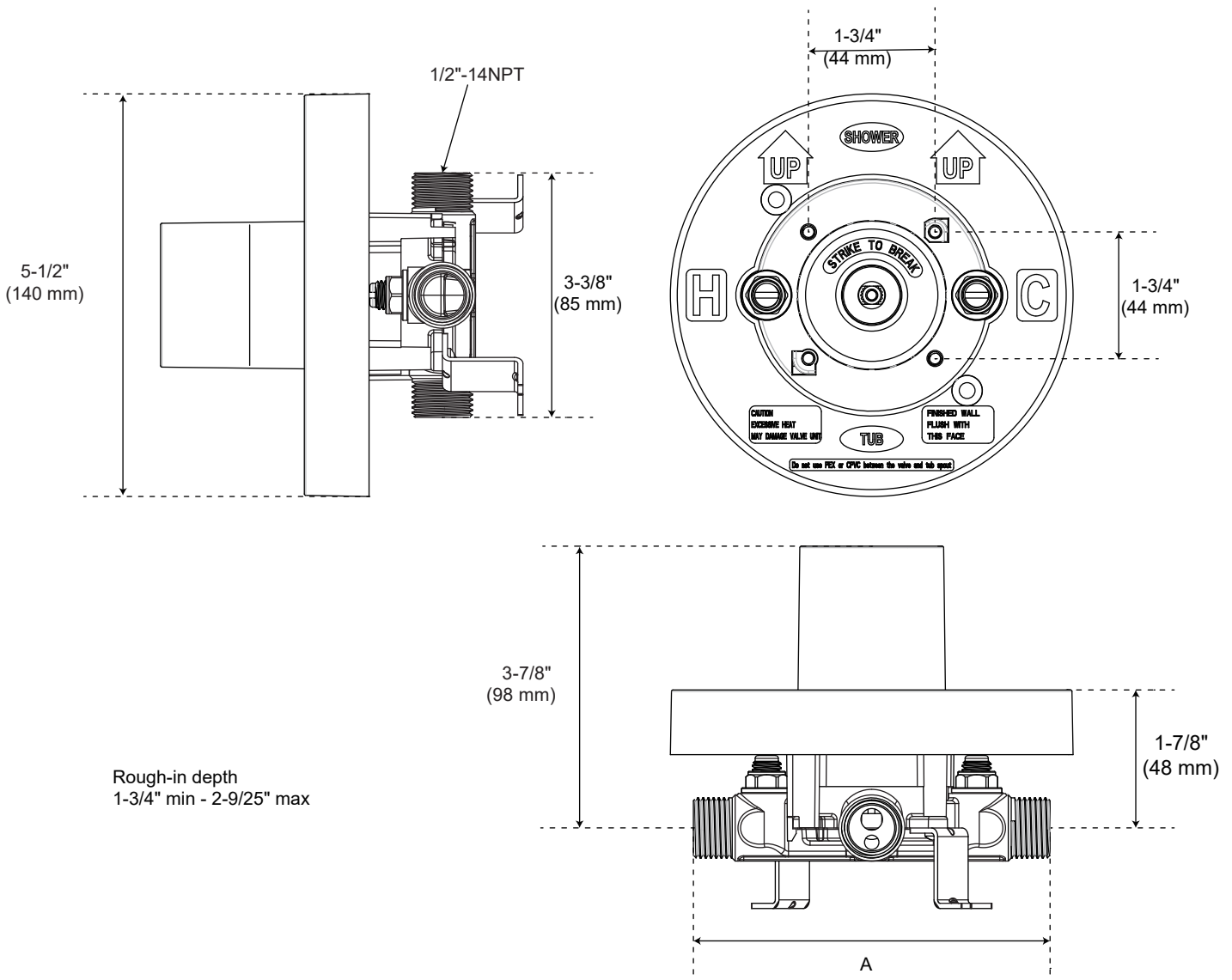
**PF4001/PF4001C/PF4001F/PF4001P/
PF4001WP**

ACCUFIT® PRESSURE BALANCE

TUB AND SHOWER FAUCET VALVE WITH STOP



	A (in)	A (mm)
PF4001	4-7/8	124
PF4001C	6	152
PF4001F	4-7/8	124
PF4001P	6-1/8	155
PF4001WP	6-3/8	162



For detailed warranty information, visit ferguson.com/proflo-faucet-warranty.