

RBS360DM

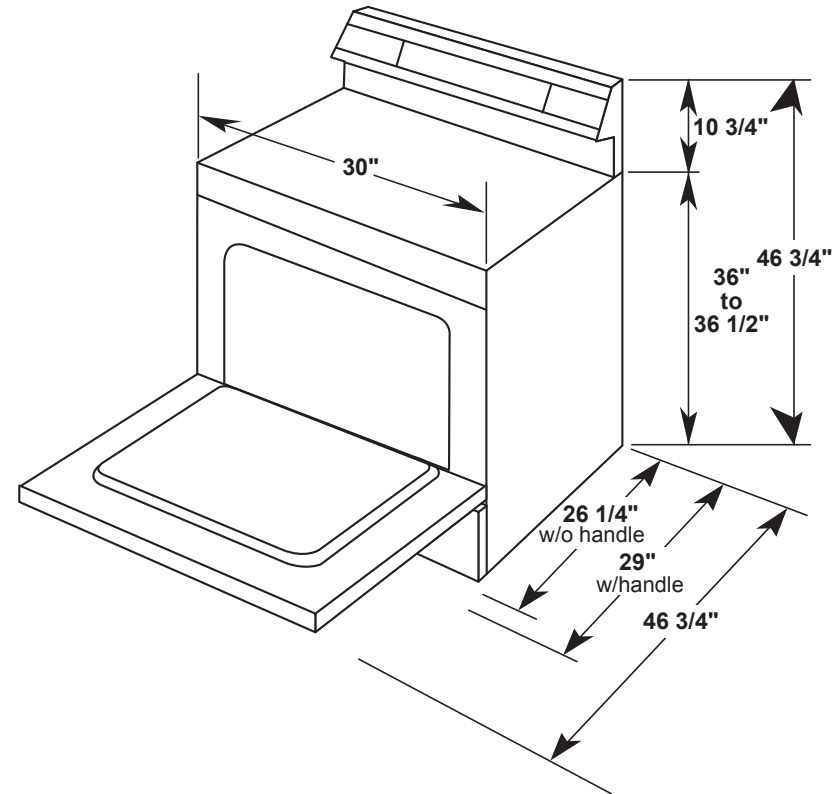
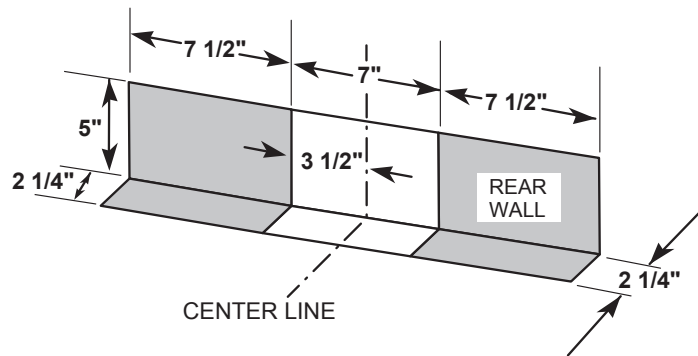
Hotpoint® 30" Free-Standing Standard Clean Electric Range

DIMENSIONS AND INSTALLATION INFORMATION (IN INCHES)

RECEPTACLE LOCATIONS

Locally approved flexible service cord or conduit must be used because terminals are not accessible after range installation. See shaded area in drawings for location of electrical outlet box. Recommended outlet locations allow range to be installed directly against rear wall.

KW RATING	
240V	10.1
208V	8.7



Hotpoint®

For answers to your Hotpoint product questions, visit our website at hotpoint.com or call 800.626.2000.



All GE Appliances ranges are equipped with an Anti-Tip device. The installation of this device is an important, required step in the installation of the range.

Specification Revised 9/18

RBS360DM

Hotpoint® 30" Free-Standing Standard Clean Electric Range

FEATURES AND BENEFITS

Standard clean oven – Smooth surface and rounded corners make clean-up quick and easy

Sensi-Temp Technology – Enjoy the same cooking power as a traditional coil with an added safety feature that meets new UL858 Household Electric Ranges Standard for Safety

Electronic clock and timer – Help cooks coordinate meal preparation and cooking

Standard window – Provides a convenient viewing area to check the progress of food

Porcelain upswept cooktop – Raised edges contain spills, while the surface is easy to wipe clean

Chrome drip bowls – Contain spills and remove for easy cleaning

Two oven racks – Durable to securely hold any cookware

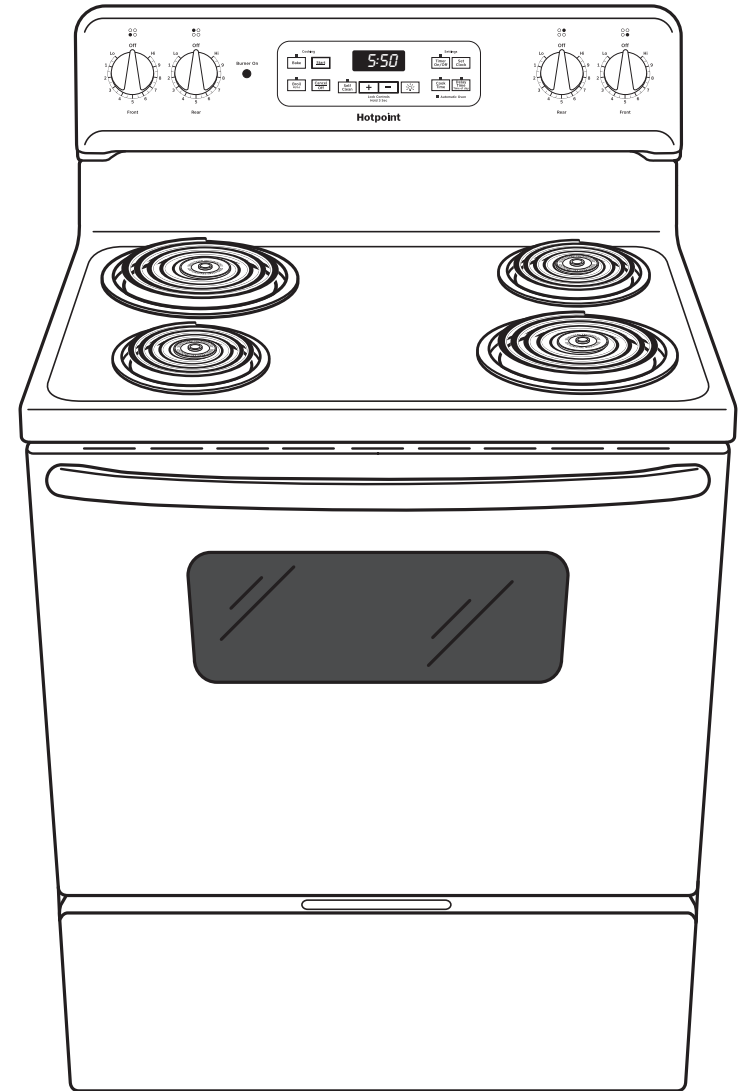
5.0 cu. ft. oven capacity – Cook more dishes at once

Removable full-width storage drawer – Store cookware or kitchen accessories

Cooktop "On" Indicator Light – Know when an element is on

Model RBS360DMBB – Black

Model RBS360DMWW – White



Hotpoint®