



24" Marvel High-Efficiency Single Zone Wine Refrigerator

Model # ML24WS

Performance

- Up to 2x more efficient than leading competitors
- Dynamic Cooling Technology™ delivers the industry's best temperature stability and rapid cool down, safely bringing wine to temperature without compromising integrity
- Vibration Neutralization System™ protects wine from agitation, allowing it to come to full maturation
- Thermal-efficient cabinet ensures optimum wine preservation and energy efficiency while maximizing capacity
- Argon-filled, UV-resistant tinted dual pane glass door protects contents from damaging ultraviolet light
- Now even quieter operation thanks to exclusive design enhancements to buffer and minimize sound

Storage Capabilities

- 5.3 cu. ft. capacity, stores 45 bottles
 - (1) 5-bottle gallery wine tray with Vibration Neutralization System™ to display your best wine
 - (5) 8-bottle roller-glide heavy-gauge wire racks to safely cradle each wine bottle

Touchpad Controls

- Multifunction Marvel Intuit™ Integrated Controls allow you to select a precise cabinet temperature from 40° F to 65° F
- Vacation mode conserves energy during times when unit is not in use

Aesthetics

- Two-stage, white theater LED lighting and midnight black interior and natural maple shelf fronts, stainable to match cabinetry
- Easy-to-install panel overlay option features soft-close integrated hinge for a truly flush fit with cabinetry
- Finish options: stainless steel, black or overlay (panel ready)

Additional Convenience

- Close Door Assist System™ gently and automatically draws door to a close, ensuring door is never accidentally left ajar
- Black toe kick adjustable to 4" with leveling legs
- 1-year parts and labor warranty, 5-year sealed system parts warranty

Finish Options



Stainless Steel Frame



Framed Overlay (Panel Ready)*



Solid Overlay (Panel Ready)*



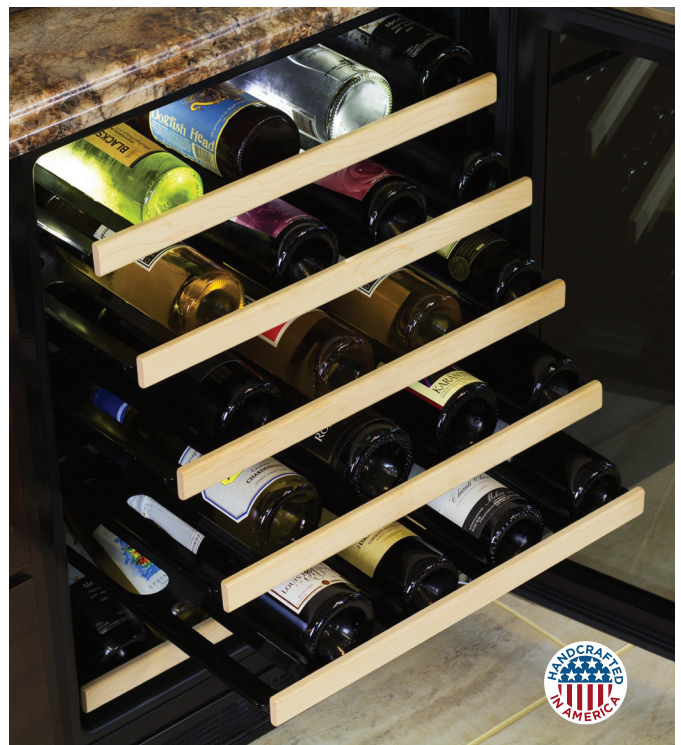
Black Frame



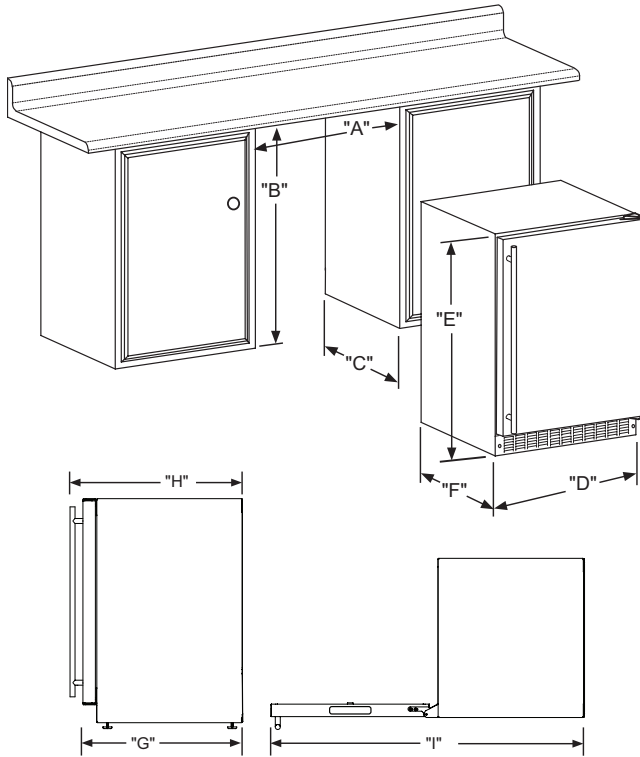
Ordering Options

| | |
|---|------------|
| Stainless Frame, Glass Door, Right Hinge, Stainless Designer Handle | ML24WSG3RS |
| Stainless Frame, Glass Door, Left Hinge, Stainless Designer Handle | ML24WSG3LS |
| Black Frame, Glass Door, Right Hinge, Black Designer Handle | ML24WSG3RB |
| Black Frame, Glass Door, Left Hinge, Black Designer Handle | ML24WSG3LB |
| Panel-Ready Framed Glass Door, Integrated Right Hinge (Handle Not Included)* | ML24WSF4RP |
| Panel-Ready Framed Glass Door, Integrated Left Hinge (Handle Not Included)* | ML24WSF4LP |
| Panel-Ready Solid Overlay Door, Integrated Right Hinge (Handle Not Included)* | ML24WSP4RP |
| Panel-Ready Solid Overlay Door, Integrated Left Hinge (Handle Not Included)* | ML24WSP4LP |

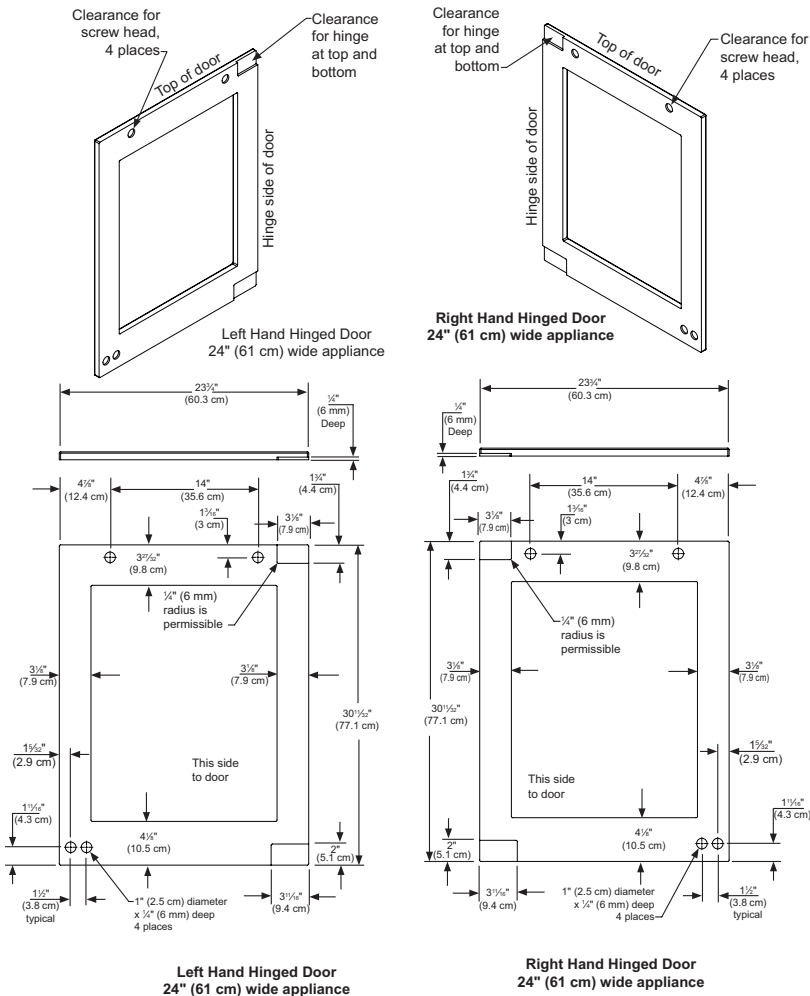
*Easy installation! No panel kit required. Consult your cabinet maker for overlay panel and handle options.



Product Dimensions



Panel Overlay Dimensions (Framed Door)



Rough-In Dimensions

| | | |
|--------------------|--------------|--------------------|
| A. Rough-In Width | 24" | |
| B. Rough-In Height | Solid Door | 34" to 35" |
| | Overlay Door | 34" 1/4 to 35" 1/4 |
| C. Rough-In Depth | 24" | |

Product Dimensions

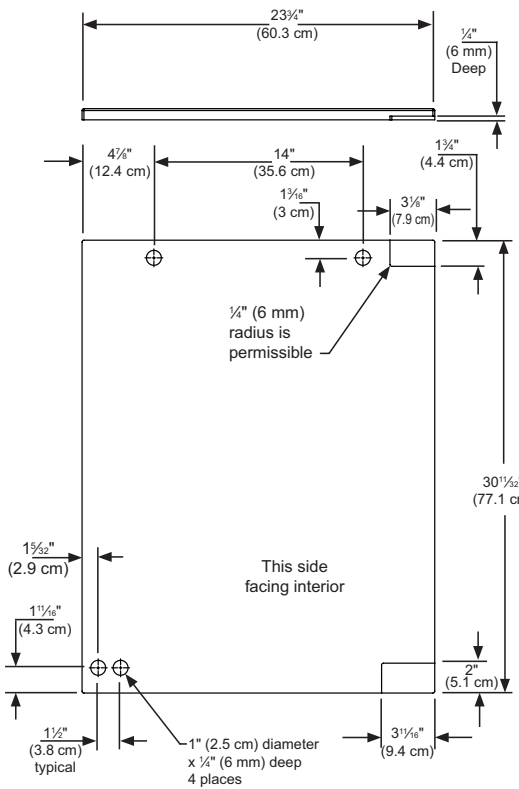
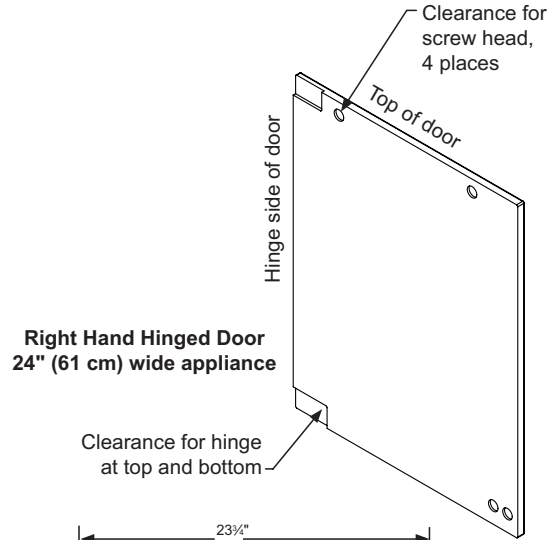
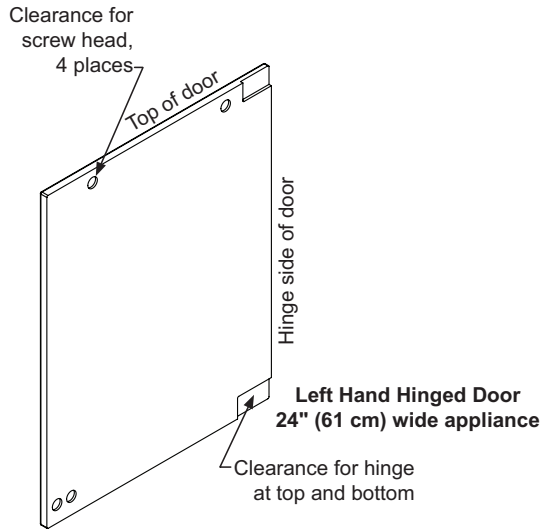
| | | |
|---------------------------|-----------------------------|------------------------|
| D. Width | 23 7/8" | |
| E. Height | Solid Door | 33 3/4" to 34 3/4" |
| | Overlay Door | 34" to 35" |
| F. Depth | 21 1/2" | |
| G. Depth to Front of Door | Solid Door | 23 23/32" |
| | Overlay Door | 22 7/8" Without Handle |
| H. Depth to Handle | 25 21/32" (Stainless Steel) | |
| I. Depth with door at 90° | Solid Door | 46 13/32" |
| | Overlay Door | 46 1/2" |

Product Features

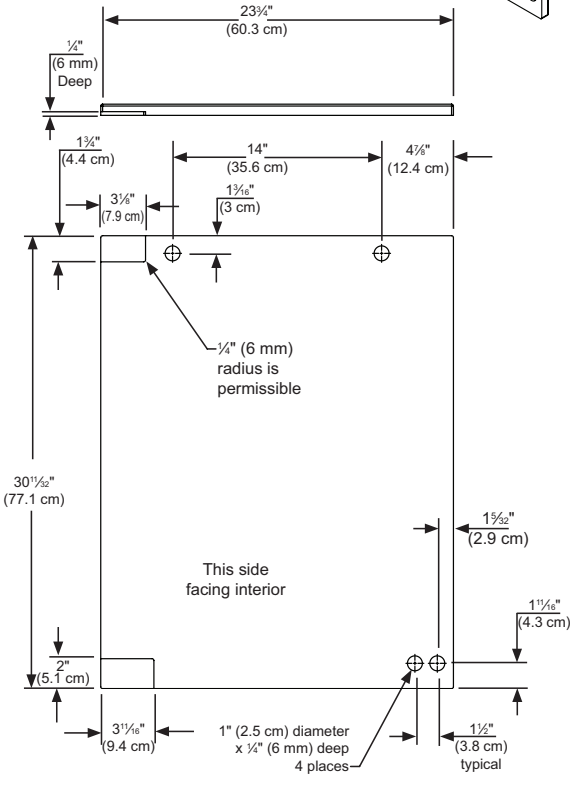
| | |
|-------------------------|--|
| Interior Cabinet Finish | Black |
| Capacity | Up to 45 wine bottles |
| Shelving System | Roller-Glide System |
| Shelf Fronts | Natural Maple |
| Other Storage | NA |
| Interior Lighting | White LED |
| Toe Grill Finish | Black |
| Hinge | Classic Hinge |
| Handle | Slim Designer Handle (Panel Overlay Does Not Include Handle) |
| Control Type | Intuit™ |
| Temperature Range | 40° to 65° F |
| Lock | No |
| Electrical Requirements | 120V / 60Hz / 15A |
| Length of Power Cord | 6' |
| Shipping Weight | 160 lbs |
| Finishes | Stainless Steel, Overlay, Black |
| Vacation Mode | Yes |
| Agency Approvals | CSA |

For comprehensive installation instructions, please visit www.marvelrefrigeration.com to access the owner's guide.

Panel Overlay Dimensions (Solid Door)



Left Hand Hinged Door
24" (61 cm) wide appliance



Right Hand Hinged Door
24" (61 cm) wide appliance

For comprehensive installation instructions, please visit www.marvelrefrigeration.com to access the owner's guide.