

Integrated Double DishDrawer™ Dishwasher, Tall, Sanitize

Series 9 | Integrated

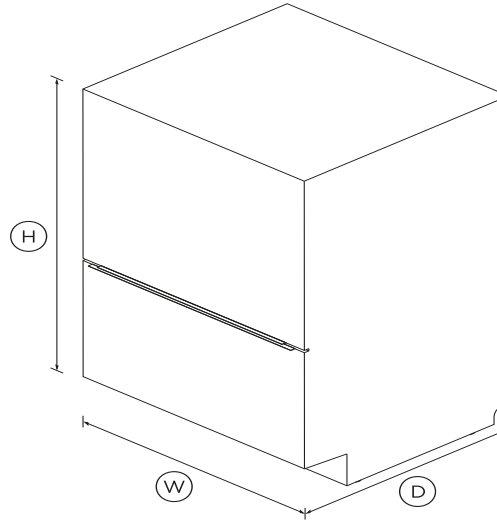
Panel Ready



Doing the dishes got easier. Load one drawer while the other washes – with the top drawer fitting your large dinner plates easily.

DIMENSIONS

Height	34 - 36 ³ / ₈
Width	23 ⁹ / ₁₆
Depth	22 ¹ / ₂



FEATURES & BENEFITS

Seamless integration

Slide your DishDrawer™ Dishwasher into an existing kitchen space or integrate into kitchen cabinetry, for a seamless look whilst delivering superior dish care.

Ease of use

DishDrawer™ Dishwashers are as easy to open and close as kitchen drawers and can be conveniently positioned at bench height for ease of loading and minimal bending. Flexible racking allows you to make adjustments to fit in a variety of dishes.

Independent wash

With the ability to use both drawers independently and select different wash programs the DishDrawer™ Dishwasher can wash everything from fine glass and crystal to heavily soiled pots and pans.

True half load

Each drawer holds a true half load for guilt-free small washes and fast turnaround of your dishes. Both drawers operate independently so different wash cycles can run simultaneously to accommodate a variety of loads.

Quick, Sanitize and Extra Dry options

The Quick wash modifier delivers a faster wash while maintaining performance. The Sanitize option provides extra protection killing 99.9% of bacteria in the final rinse. The Extra Dry setting is perfect for plastic dishes.

Knock to pause

Instead of needing a remote control, these DishDrawer™ Dishwashers have a knock to pause function. A knock on the front panel will pause the dishwasher which can be re-started again by using the start/play button.

Quiet performer

Running at a very low decibel rating, these DishDrawer™ Dishwashers do their job without making a fuss. The combination of intelligent technology and simple mechanics means greater reliability and excellent wash performance.

SPECIFICATIONS

Accessories

Cutlery basket	2
Kickstrip	•
Knife clip and multipurpose	•
Optional handle	513545 D3 front mount fitting
Optional stainless steel door kit	81261 Doors DD24DT

Capacity and loading	
Accommodates round plates	12.25" (top) 11" (bottom)
Adjustable height, foldable	•
Fold down tines	•
Pitch adjustable tines	•
Place settings	14

Controls	
Child lock	•
Electronic fault/Diagnostic	•
End of cycle beeps	•
Energy saving delay start	•
Internal wash selector	•
Knock to pause	•
Rinse aid indicator light	•

Features	
Built-in water softener	•
Fan assisted drying	•
Flow through detergent	•
Quiet operation	•
SmartDrive™ technology	•

Performance	
Noise on gentle cycle top	44

Power requirements	
Amperage	9.6A
Electric circuit	3

Rated current	15A
Supply frequency	60Hz
Supply voltage	120V

Product dimensions	
Depth	22 1/2
Height	34 - 36 3/8
Width	23 9/16

Wash Program Modifiers	
Extra Dry	•
Quick	•
Wash modifiers	3


Wash Programs	
Delicate	•
Eco	•
Fast	•
Heavy	•
Medium	•
Rinse	•
Sanitize	•
Wash programs	15

Water connection	
Inlet water temperature	Max 140°F
Supplied hose to suit 3/8"	•
Water pressure	0.1 Mpa - 1 Mpa (14.5-145 psi)


SKU 81216

The product dimensions and specifications in this page apply to the specific product and model. Under our policy of continuous improvement, these dimensions and specifications may change at any time. You should therefore check with Fisher & Paykel's Customer Care Centre to ensure this page correctly describes the model currently available. ? Fisher & Paykel Appliances Ltd 2020


Other product downloads available at fisherpaykel.com

 [Quick Start Guide](#)

 [User Guide](#)

 [Service & Warranty Booklet](#)

 [Installation Guide](#)

 [Resources \(zip\)](#)



A PEACE OF MIND SALE

24 Hours 7 Days a Week Customer Support

T 1.888.936.7872 **W**www.fisherpaykel.com