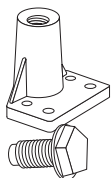
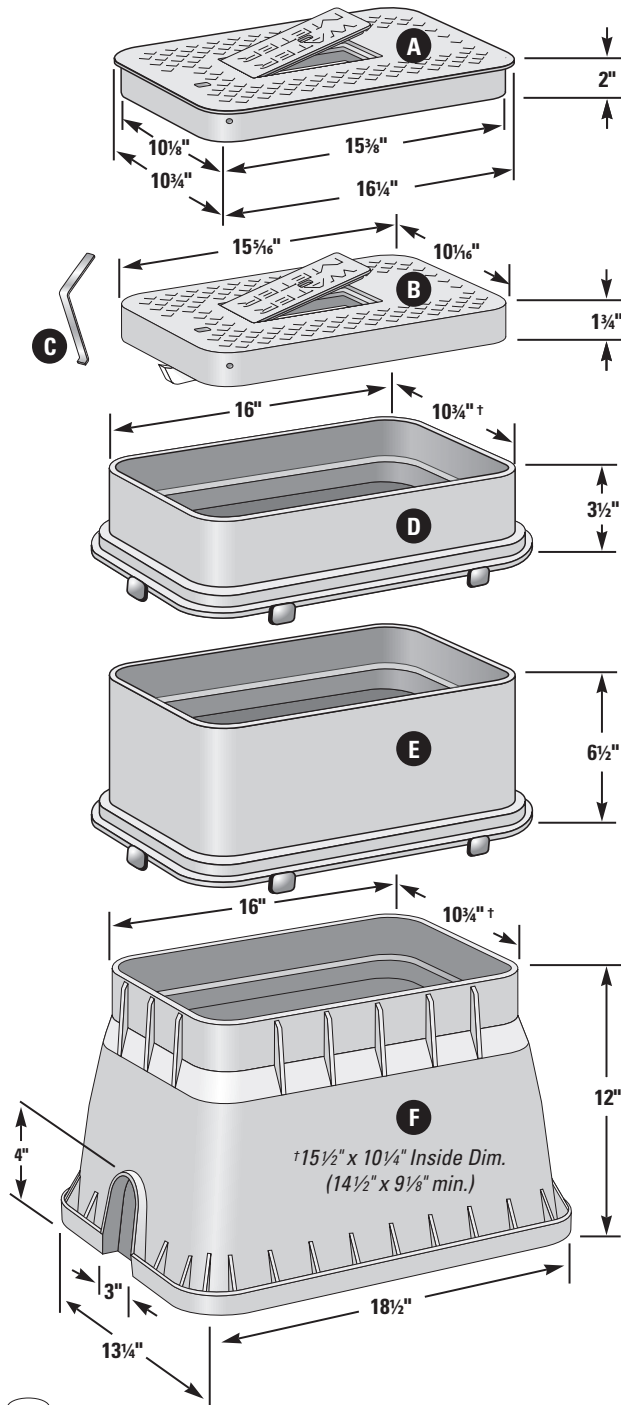




# MacLean<sup>TM</sup> HIGHLINE

## STANDARD UTILITY BOXES



Optional Pentagon Lock  
(Needs Pentagon Lid)

- (A) T-Top Lid (No Locks)
- (B) Drop-in Lid (w/Snap Locks)
- (C) Optional Snap Lock Tool
- (D) 3" Extension
- (E) 6" Extension
- (F) 12" Standard Box

- SUPERFLEXON material is
  - Stronger than structural foam for greater top-load strength
  - More resistant to UV and wear
- 10 Year Lid Guarantee
- Lighter than cast iron or concrete boxes for
  - Easier warehouse handling
  - Reduced injury potential
- Closed mouse holes standard
- Available in black, tan and white (6", 12" and 18" high)
- Snap lock on drop-in lids
  - Discourages vandalism
  - Keeps lid in place in high water
- Lids are easily interchangeable
- T-top lid will fit boxes of other manufacturers
- Lids available in black, green, tan, and brown mulch
- Extensions fit most competitor's boxes



"You're Covered!"

# STANDARD UTILITY BOXES

DESCRIPTION	PART #	DESCRIPTION	PART #
<b>STANDARD 12" BOX ASSEMBLIES</b>			
<b>Water Meter</b>			
Black Box, Black Lid w/Snap Lock	170104	MB Lid Black T-Top w/TR & Ref, No Locks	171107
Black Box, Black Plastic Reader Lid w/Snap Lock	170105	Black "Water" w/Snap Lock	171111
Black Box, Black w/Cast Iron Reader Lid w/Snap Lock	170111	Black "Water" w/Pentagon Lock	171118
MB & Black Water Cov Assy, No Locks	170112	MB w/Cast Iron Reader Lid	172002
MB & Black w/Cast Iron Reader Lid Assy, No Locks	170113	MB w/PL Reader Lid, No Lock	172003
MB & Black Solid Lid w/TR Hole, No Lock	170115	Black "Water" w/Cast Iron Reader Lid, Snap Lock	172106
MB & Black Solid Lid w/PI Flip Reader & TR, No Lock	170118	Black "Water" w/PI Reader Lid & TR Hole, No Lock	172107
MB & Black W/Cast Iron Reader Lid & TR Hole, No Lock	170119	Black "Water" w/Cast Iron Reader Lid & TR Hole	172108
Black Box, Black T-Top Lid, No Lock	174502	Black "Water" w/Plastic Reader Lid, Snap Lock	172113
Black Box, Black T-Top w/Cast Iron Flip & Snap Locks	174506	Black "Water" T-Top Meter, No Lock	174005
Black Box, Black T-Top w/Snap Locks & 1.88" HL	174544	Black T-Top w/ Reader Lid, Snap Lock	174008
Black Box, Black T-Top w/Cast Iron Reader Lid	174545	Black T-Top w/Cast Iron Reader Lid, Snap Lock	174009
		Black "Water" T-Top Meter	174037
		Blue "Water" T-Top, No Lock	174047
		Black "Water" T-Top w/Snap Lock	174112
		Black T-Top w/Snap Lock (Drilled w/Touch Read Hole)	174113
		Green T-Top w/Snap Lock (Drilled w/Touch Read Hole)	174114
		Black "Water" T-Top w/Cast Iron Reader Lid	174119
<b>Sewer</b>		<b>Sewer</b>	
Black Box, Green Lid w/Snap Lock	170114	Green "Sewer" w/Snap Lock	173137
		Green "Sewer" T-Top	174036
<b>STANDARD 18" BOX ASSEMBLIES</b>		<b>EXTENSIONS</b>	
<b>Water Meter (w/2 Mouse Holes)</b>		3" Black Extension Only	170102
18" Black Box, Black Lid w/Snap Lock	194513	6" Black Extension Only	170103
18" Black Box, Black CI Reader T-Top Lid, No Lock	194525		
18" White Box, Black CI Reader T-Top Lid, Snap Lock	194535	<b>ACCESSORIES</b>	
		Lexan Bolt – Pentagon Lock	143003
<b>BOXES ONLY</b>		Lexan Locking Nut – Pentagon Lock	143013
12" Black, Standard w/2 Open Mouse Holes	170204	Hexagon Steel Bolt	143014
12" Black w/3 Mouse Holes	170011	Snap Lock Set (1-Snap, 1-Pin)	144017
18" Black One-Piece w/2 Mouse Holes	194101	Snap Lock Unlocking Tool	144022
18" White One-Piece w/2 Mouse Holes	194102	Reflector Locator Washer	143020
6" Flared - Black, No Mouse Holes	170129	Reflector Screw for Locator Washer	143004
		8" Stainless Steel Hinge Pin	144004
		MB w/Cast Iron Reader Lid	172002
		Plastic Flip Lid, Latch & Screw w/Lock	172114
<b>LIDS ONLY</b>			
<b>Water Meter</b>			
MB Black "Water" Lid 1.88HLN, No Lock	171011		
Black "Water" Lid w/TR hole, No Lock	171014		
MB Black Lid w/TR BERT ASM	171102		
MB Lid Black BERT w/Ref, No Locks	171104		
MB Lid Black w/TR w/Ref, No Locks	171105		
MB Lid Black T-Top BERT w/Ref, No Locks	171106		

## SUPERFLEXON BOXES AND COVERS

SUPERFLEXON is a plastic material made of a rigid combination of polyolefin and fibrous inorganic components. It is chemically inert and normally unaffected by moisture, corrosion and the effects of temperature changes. SUPERFLEXON also has a high tensile strength with light weight because it is a solid (not foamed) structural material.

SUPERFLEXON covers are NOT traffic covers and should not be used in roadways, etc.

## Physical Properties

Physical Properties	ASTM Test Method	Minimum Test Value
Tensile Strength (2.0"/min.)	D-638-82a	3,400 psi
Flexural Modulus	D-790-81	191,000 psi
Compressive Strength (0.05"/min.)	D-695-80	3,350 psi
Impact Strength, Izod	D-256-81	0.6 ft. lb/in.
Durometer Hardness, Type D	D-2240-81	60
Deflection Temp. @ 66 psi Stress	D-648-82	230°F
Specific Gravity	D-792-66 (1979)	1.15



481 Munn Road, Suite 300, Fort Mill, SC 29715, USA  
 Phone: 803.628.4380 • Fax: 803.792.4612  
 E-mail: info@macleanhighline.com  
 www.highlineaccessboxes.com